

# FIXED PRINTED CIRCUIT

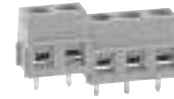
## Metric Pin Spacing<sup>a</sup>

### Screw-Cage Clamp

For wire-to-board connections in industrial applications and where frequent wire terminations occur.

- Multipole, Modular Design
- Housing Material: Polyamide 6.6
- Standard Color: AK300 is Gray, all others are green

Minimum clearance, small footprint conserves valuable PCB real estate



## AK300

### 45° Wire Entry

Pin Spacing 5mm (.197)  
Stripping Length 7mm (.276)  
Screw Hole Diameter 3.5mm (.138)

## AK(Z)250

### Front Wire Entry

Pin Spacing 5.08mm (.200)<sup>c</sup>  
Stripping Length 7mm (.276)  
Screw Hole Diameter 3.5mm (.138)

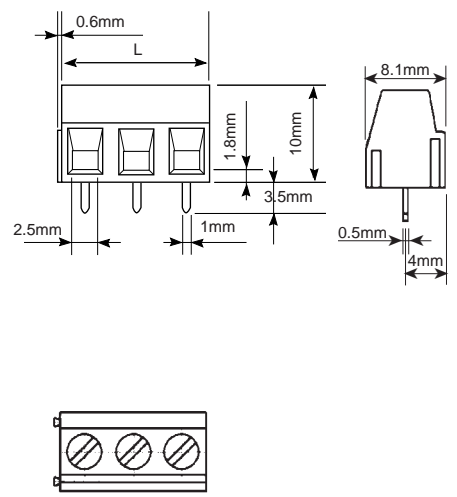
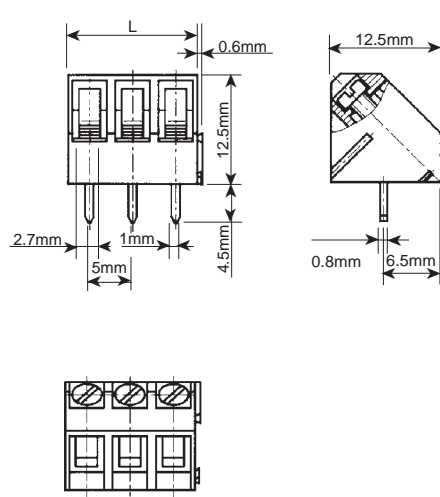
<sup>a</sup>Blocks with US (Inch) pin spacing begin on page 110.

Ratings		Wire Range	Current	Voltage	Wire Range	Current	Voltage
IEC/VDE		0.5-2.5mm <sup>2</sup>	16A	250V	0.5-1.5mm <sup>2</sup>	16A	250V
UL (File No. E101811)		22-12 AWG	15A	300V	28-14 AWG	15A	300V
CSA (File No. LR68503)		22-12 AWG	15A	300V	28-14 AWG	15A	300V

Ordering Information	No. of Poles	Type	Cat. No.	Length L mm (in.)	Std. Pk.	Type	Cat. No.	Length L mm (in.)	Std. Pk.
Terminal Block, mm Pin Spacing	2	AK300/2	30.602	10.00 (.39)	100	AK(Z)250/2	32.402	10.16 (.40)	100
	3	AK300/3	30.603	15.00 (.59)	100	AK(Z)250/3	32.403	15.24 (.60)	100
	4	AK300/4	30.604	20.00 (.79)	50	AK(Z)250/4	32.404	20.32 (.80)	50
	5	AK300/5	30.605	25.00 (.99)	50	AK(Z)250/5	32.405	25.40 (1.00)	50
	6	AK300/6	30.606	30.00 (1.18)	50	AK(Z)250/6	32.406	30.48 (1.20)	50
	7	AK300/7	30.607	35.00 (1.38)	30				
	8	AK300/8	30.608	40.00 (1.58)	30				
	9	AK300/9	30.609	45.00 (1.77)	30				
	10	AK300/10	30.610	50.00 (1.97)	30				
	11	AK300/11	30.611	55.00 (2.17)	20				
	12	AK300/12	30.612	60.00 (2.36)	20				
	13	AK300/13	30.613	65.00 (2.56)	20				
	14	AK300/14	30.614	70.00 (2.76)	20				
	15	AK300/15	30.615	75.00 (2.95)	20				
	16	AK300/16	30.616	80.00 (3.15)	15				
	17	AK300/17	30.617	85.00 (3.35)	15				
	18	AK300/18	30.618	90.00 (3.54)	15				
	19	AK300/19	30.619	95.00 (3.74)	15				
	20	AK300/20	30.620	100.00 (3.94)	15				
	21	AK300/21	30.621	105.00 (4.13)	10				
	22	AK300/22	30.622	110.00 (4.33)	10				
	23	AK300/23	30.623	115.00 (4.53)	10				
	24	AK300/24	30.624	120.00 (4.72)	10				

Dimensions			
mm	in.	mm	in.
0.50	0.020	5.00	0.197
0.60	0.024	5.08	0.200
0.80	0.031	6.50	0.256
0.90	0.035	8.10	0.319
1.00	0.039	9.00	0.354
1.80	0.071	10.00	0.394
2.50	0.098	10.50	0.413
2.70	0.106	12.50	0.492
3.00	0.118	13.50	0.531
3.50	0.138	15.00	0.591
4.00	0.157	15.24	0.600
4.40	0.173	19.00	0.748
4.50	0.177		



<sup>c</sup> Appropriate for use in metric pin spacings up to the number of poles shown.