

4

3

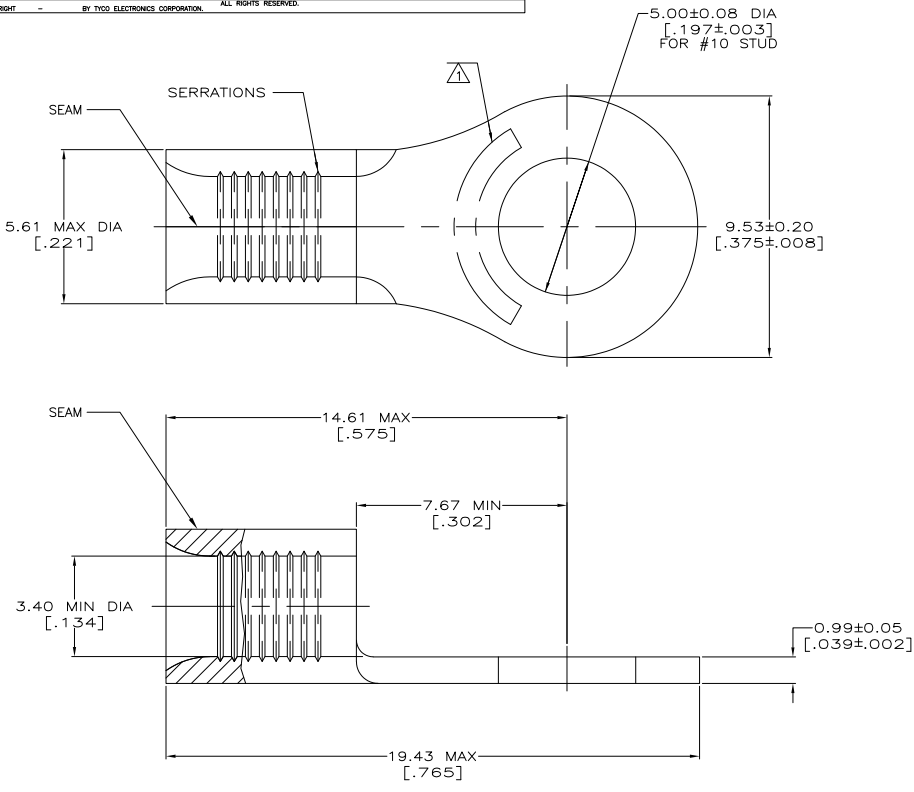
2

1

THIS DRAWING IS UNPUBLISHED. RELEASED FOR PUBLICATION
 © COPYRIGHT BY TYCO ELECTRONICS CORPORATION. ALL RIGHTS RESERVED.

LOC	DIST	REV	DESCRIPTION	DATE	BY	APP'D
G	14	F1	REV PER ECR 08-002293	25JAN08	JR	TM

AMP WIRE RANGE	Listed FILE E13288
12-10 AWG STRANDED	12-10 AWG STRANDED



- △ STAMP AMP 12-10* APPROX AS SHOWN
- △ SEAM FACING UPWARD ON TAPE
- △ SEAM FACING DOWNWARD ON TAPE
- △ COPPER PER ASTM B-152, ANNEALED
- △ TIN PLATE 0.00254 [.000100] MIN THK PER ASTM B545

QTY	PACKAGE TYPE	PART NO.
50	LOOSE PIECE, BOX	8-31114-2
2500	ON TAPE, REEL △	31114-3
2500	ON TAPE, REEL △	31114-2
-	LOOSE PIECE	31114

AMP INCORPORATED CUSTOMER SERVICE SYSTEMS		MAX RECOMMENDED OPERATING TEMPERATURE: 170°C MAX	THIS DRAWING IS A CONTROLLED DOCUMENT.	DR. TA BRINKMAN 2-8-93 CR. DA PATTERSON 2-8-93 DR. JIL MECKLEY 2-8-93	Tyco Electronics Corporation Harrisburg, PA 17105-3608
FOR ADDITIONAL PRODUCT INFORMATION OR COPIES OF DRAWINGS AND TECHNICAL DOCUMENTS 1-800-522-6752	PRODUCT INFORMATION CENTER 1-800-522-6752	VOLTAGE RATING: N/A	DIMENSIONS: MM [INCHES]	OTHER FINISHES: 0 PLG # - 1 PLG # - 2 PLG # - 3 PLG # - 4 PLG # - ANGLES # - FINISH # -	NAME TERMINAL, RING TONGUE, BUDGET
FOR APPLICATION TOOLING ASSISTANCE CENTER 1-800-722-1111	TOOLING ASSISTANCE CENTER 1-800-722-1111	CIRCULAR MIL AREA 2.62-8.64mm² [5.180-13.100] STRANDED	MATERIAL - △	APPLICATION SPEC NONE	SIZE CASE CODE DRAWING NO A2 00779 C=31114
FOR ORDER ENTRY 1-800-526-5142	THIS DRAWING IS A CONTROLLED DOCUMENT FOR AMP INCORPORATED. IT IS SUBJECT TO CHANGE AND THE CONTROLLING SUPERSEDING SUPERVISION SHOULD BE CONTACTED FOR THE LATEST REVISION.	FINISH - △	CUSTOMER DRAWING	RESTRICTED TO -	SCALE 10:1 SHEET 1 of 1 REV F1

AMP 1471-9 REV 31MM2000

31114

A