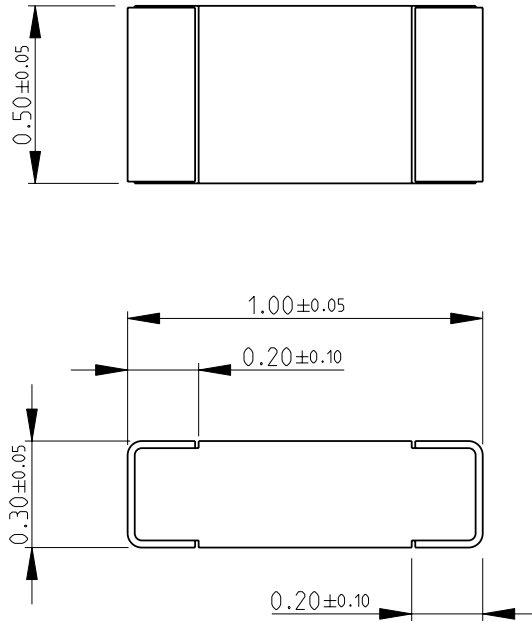
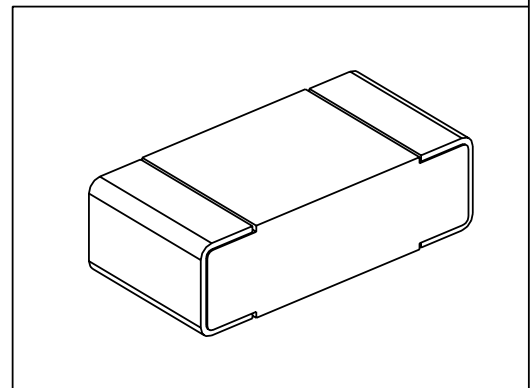


LOC	DIST	REVISIONS					
E	B	P	LTR	DESCRIPTION	DATE	DWN	APVD
			BA	NEW RELEASE	27-Sep-08	SM	St.P

FOR FURTHER INFORMATION SEE DATA SHEET FOR  
CPF SERIES-THIN FILM PRECISION CHIP RESISTORS



RoHS Compliant


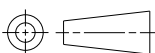


2008

RELEASED FOR PUBLICATION

THIS DRAWING IS UNPUBLISHED.

© COPYRIGHT 2008 BY TYCO ELECTRONICS CORPORATION. ALL RIGHTS RESERVED.

DIMENSIONS: mm	DWN	SUBHASH.M	27-Sep-08	MATERIAL	-	FINISH	-
	CHK	PRAKASH.S	27-Sep-08	 Tyco Electronics Corporation Dorcan, Swindon, SN3 5HH			
TOLERANCES UNLESS OTHERWISE SPECIFIED:			APVD				
0 PLC	$\pm 0.2$	PRODUCT SPEC		NAME			
1 PLC	$\pm 0.1$	-		THIN FILM PRECISION CHIP RESISTORS			
2 PLC	$\pm$	APPLICATION SPEC		SERIES CPF 0402			
3 PLC	$\pm$	-		SIZE	CAGE CODE	DRAWING NO	RESTRICTED TO
4 PLC	$\pm$	WEIGHT		A 4	00779	©= 1879212	-
ANGLES	$\pm 5^\circ$	-		CUSTOMER DRAWING			
				SCALE	50:1	SHEET	1 OF 1
				REV BA			