

EMG 45-REL/IR-W230/HWR

Order No.: 2952185

The illustration shows version EMG 45-REL/IR-G 24/HWR




<http://eshop.phoenixcontact.de/phoenix/treeViewClick.do?UID=2952185>

Relay module, with soldered-in industrial relay, contact: 2 PDTs, for multi-input fault warnings, with input diode array in P polarity (6 diodes 1N4007) and capacitor parallel to the coil as well as a multi-input light indicator, input voltage 230 V AC



Commercial data

GTIN (EAN)	 4 017918 084356
sales group	G037
Pack	5 pcs.
Customs tariff	85364900
Catalog page information	Page 117 (IF-2005)

Product notes

WEEE/RoHS-compliant since:
09/18/2006



<http://www.download.phoenixcontact.com>
Please note that the data given here has been taken from the online catalog. For comprehensive information and data, please refer to the user documentation. The General Terms and Conditions of Use apply to Internet downloads.

Technical data

Coil side

Nominal input voltage U_N	230 V AC
Input voltage range in reference to U_N	0.9 ... 1.1
Nominal input current at U_{IN}	Approx. 16 mA

Typical response time	5 ms ... 15 ms
Typical release time range	15 ms ... 25 ms
Coil resistance	19.5 kΩ
Nominal power consumption	Approx. 1 VA
Operating voltage display	LED red
Protective circuit	Decoupling diodes Decoupling diodes
	Capacitor Capacitor
Diode type	1 N 4007
Max. operating voltage of diodes	250 V AC
Peak reverse voltage per diode	1300 V
Reverse current per diode	30 μA
Conducting state voltage per diode	Approx. 0.8 V
Conducting state current per diode	0.7 A (with single load)
	0.2 A (with simultaneous loads)

Contact side

Contact type	Single contact, 2-PDT
Contact material	AgNi
Maximum switching voltage	250 V AC
	110 V DC
Maximum inrush current	5 A
Limiting continuous current	3 A
Interrupting rating (ohmic load) max.	750 VA

General data

Width	45 mm
Height	75 mm
Depth	82.5 mm
Test voltage relay winding/relay contact	2 kV AC (50 Hz, 1 min.)
Ambient temperature (operation)	-20 °C ... 50 °C
Ambient temperature (storage/transport)	-20 °C ... 70 °C
Mechanical service life	> 10 ⁷ cycles
Standards/regulations	DIN VDE 0110b, Gr. C for 250 V DC
	DIN EN 50178/DIN VDE 0160 (in relevant parts)
Pollution degree	2
Surge voltage category	II

Mounting position	Any
Assembly instructions	In rows with zero spacing

Connection data

Connection method	Screw connection
Conductor cross section solid min.	0.2 mm ²
Conductor cross section solid max.	4 mm ²
Conductor cross section stranded min.	0.2 mm ²
Conductor cross section stranded max.	2.5 mm ²
Conductor cross section AWG/kcmil min.	24
Conductor cross section AWG/kcmil max	12
Stripping length	8 mm
Screw thread	M3

Certificates / Approvals

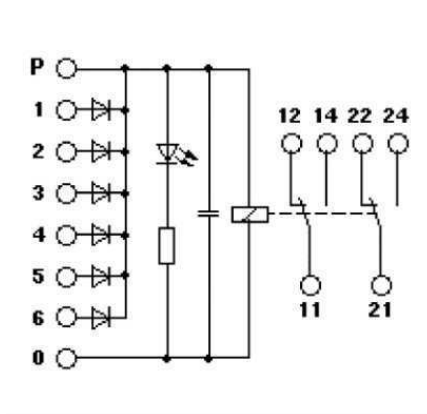


Certification

GOST

Diagrams/Drawings

Circuit diagram



Address

PHOENIX CONTACT Inc., USA
586 Fulling Mill Road
Middletown, PA 17057, USA
Phone (800) 888-7388
Fax (717) 944-1625
<http://www.phoenixcon.com>



© 2011 Phoenix Contact
Technical modifications reserved;