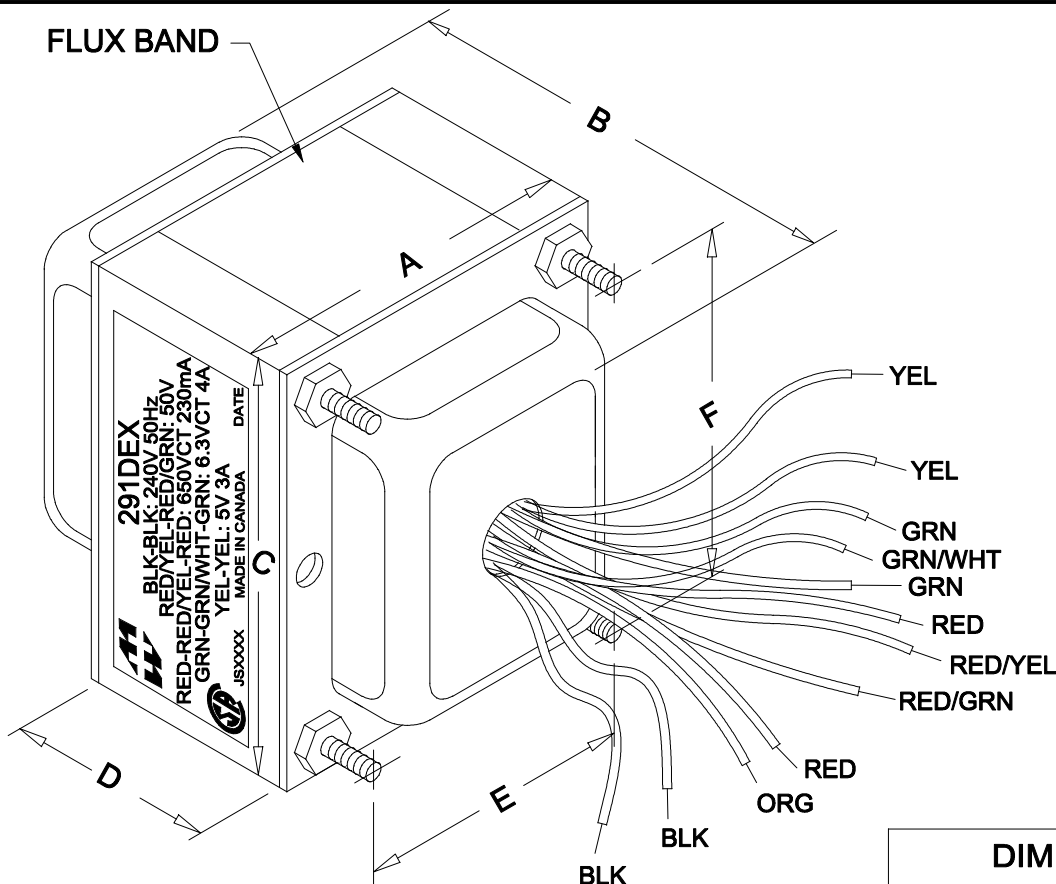
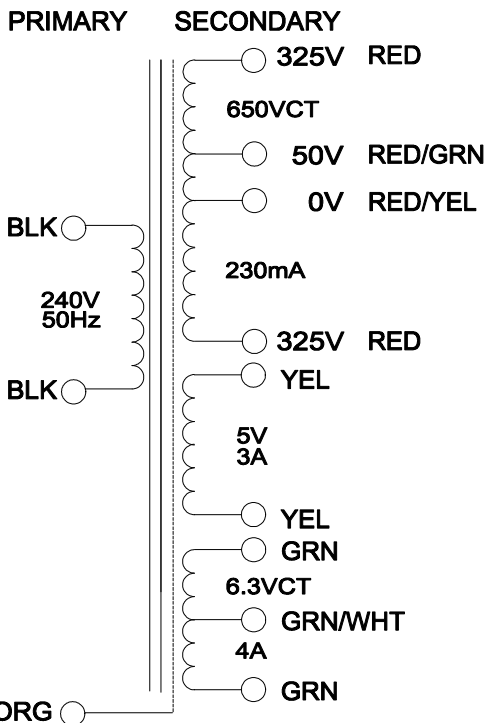


291DEX



NOTE: ALL LEADS 9" OUT MIN., STRIPPED .5"



DIMENSIONS:

A	3.438" ±0.063
B	4.063" ±0.125
C	4.125" ±0.063
D	1.844" ±0.063
E	2.750" ±0.063
F	3.438" ±0.063

ELECTRICAL DATA:

Turns ratio:	1 : 2.96 (RED - RED)
Exciting Current	@ 240V, 50Hz, BLK - BLK = 266mA Max.
DCR	@ 20C, BLK - BLK = 5.373 Ω ±20%
	@ 20C, RED - RED = 73.72 Ω ±20%
	@ 20C, YEL - YEL = 0.073 Ω ±20%
	@ 20C, GRN - GRN = 0.060 Ω ±20%
	Pri. Voltage
Sec. Voltage (RMS)	650VCT @ 230mA C/W 50V TAP, 5V @ 3A / 6.3VCT @ 4A
No Load Voltage	712.29VCT / 5.30V / 6.75V

HAMMOND ELECTRONICS
 52 RANKIN PLACE,
 WATERLOO, ONTARIO, N2L 3Z5.
 PHONE (519) 886-6181
 FAX # (519) 886-9540

TITLE		291DEX	
		DR BY	B.Pervaiz
		DATE	08/25/09
NO	DATE	REVISION	DIM IN(X)MM()

291DEX