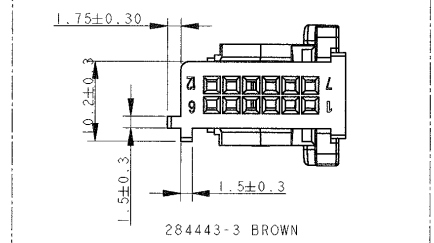
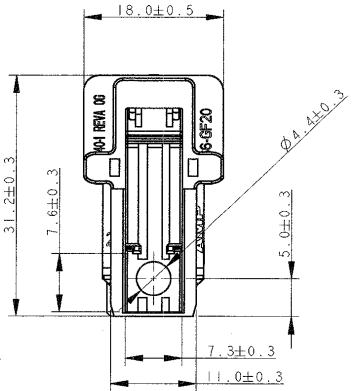
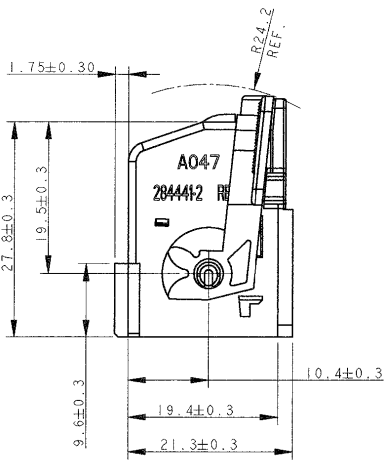
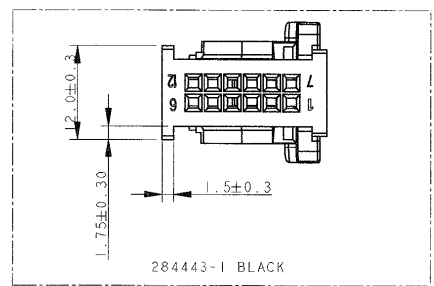
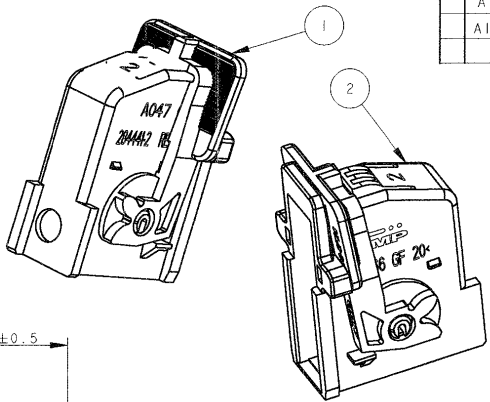
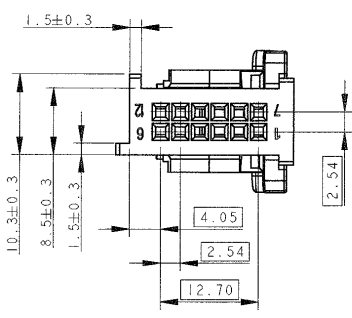


THIS DRAWING IS UNPUBLISHED. RELEASED FOR PUBLICATION
 COPYRIGHT 19 BY AMP INCORPORATED. ALL RIGHTS RESERVED.

REV	DATE	DESCRIPTION	BY	CHK
0	17SEP99	FIRST ISSUE	M.P.	R.M.
A	05APR00	REVISED FOR ET00-0404-99	M.P.	R.M.
AI	08 OCT 01	RELEASED FOR PROD. ET00-0069-01	A.P.	R.M.



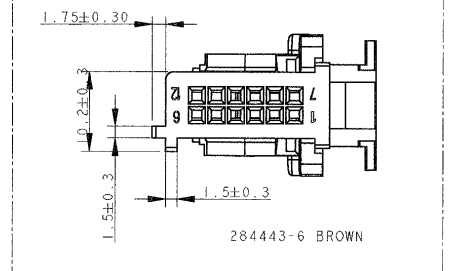
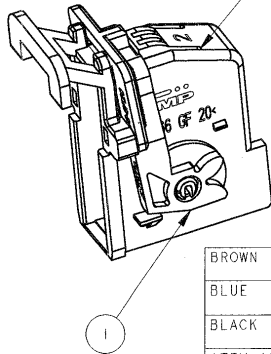
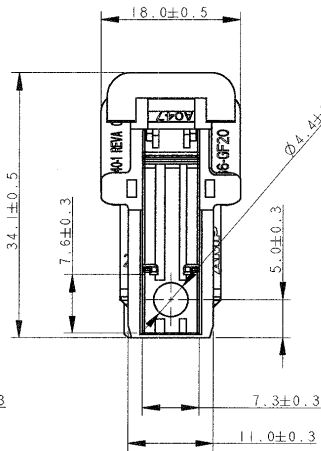
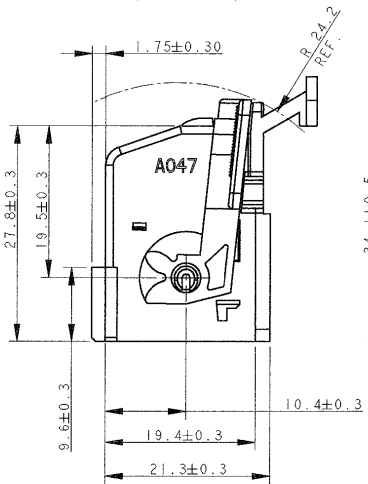
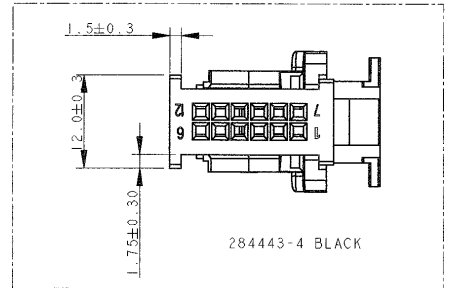
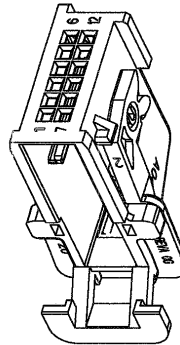
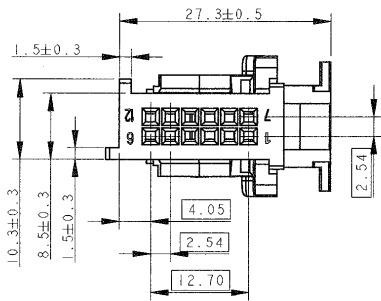
284443-2 BLUE, AS SHOWN

ITEM (2) COVER COLOUR	ITEM (1) LEVER COLOUR	ASSY REV	ASSY P/N
BROWN	BLACK	A	284443-3
BLUE	BLACK	A	284443-2
BLACK	BLACK	A	284443-1

- 1) MATERIAL: PA 66 GF FILLED
- 2) COVER PLUS LEVER SUITABLE FOR PLUG HOUSING P/N 284442-1
- 3) FOR COUNTERPART DETAILS SEE 208-15544.

THIS DRAWING IS A CONTROLLED DOCUMENT FOR AMP INCORPORATED. IT IS SUBJECT TO CHANGE AND THE CONTROLLING ENGINEERING ORGANIZATION SHOULD BE CONTACTED FOR THE LATEST VERSION.		OWN: M. PALMA 17SEPT'99 CHK: B. MARTINI 17SEPT'99 APD: A. GENTA 17SEPT'99	AMP Italia S.p.A. C.so F.lli Cervi 15 Collegno (TO)
DIMENSIONS: mm	TOLERANCES UNLESS OTHERWISE SPECIFIED: 0 PLC ±0.3 1 PLC ±0.3 2 PLC ±. 3 PLC ±. 4 PLC ±. ANGLES ±. FINISH -	PRODUCT SPEC 108-20222 APPLICATION SPEC 411-15565 WEIGHT 3.3 g	COVER + LEVER FOR 12 POSITION MICRO QUADLOK SYSTEM PLUG HOUSING
MATERIAL NOTE 1)		SIZE A3 CAGE CODE 00779 DRAWING NO. ©=284443	SCALE 1:1 SHEET OF 2 REV A1

LOC	DIST	REVISIONS			
P	LTR	DESCRIPTION	DATE	DRN	APVD
		SEE SHEET 1 OF 2			



BROWN	BLACK	SEE NOTE 3)	A	284443-6
BLUE	BLACK	SEE NOTE 3)	A	284443-5
BLACK	BLACK	SEE NOTE 3)	A	284443-4
ITEM (2) COVER COLOUR	ITEM (1) LEVER COLOUR	NOTES	ASSY REV.	ASSY P/N

284443-5 BLUE, AS SHOWN

- 1) MATERIAL: PA 66 GF. FILLED
- 2) COVER PLUS LEVER SUITABLE FOR PLUG HOUSING P/N 284442-1
- 3) SAME AS -1, -2, -3, BUT PROVIDED WITH CABLE TIE SEAT
- 4) FOR COUNTERPART DETAILS SEE 208-15544.

<small>THIS DRAWING IS A CONTROLLED DOCUMENT FOR AMP INCORPORATED. IT IS SUBJECT TO CHANGE AND THE CONTROLLING ENGINEERING ORGANIZATION SHOULD BE CONTACTED FOR THE LATEST REVISION.</small>		DWN M. PALMA 17SEPT'99 CHR B. MARTINI 17SEPT'99 APD A. GENTA 17SEPT'99	AMP Italia S.p.A. C.so F.lli Cervi 15 Collegno (TO)
DIMENSIONS: mm	TOLERANCES UNLESS OTHERWISE SPECIFIED: 9 PLC ±0.3 1 PLC ±0.3 2 PLC ±. 3 PLC ±. 4 PLC ±. ANGLES ±2	PRODUCT SPEC 108-20222 APPLICATION SPEC 411-15565	NAME AMP COVER + LEVER FOR 12 POSITION MICRO QUADLOK SYSTEM PLUG HOUSING
MATERIAL NOTE 1)	FINISH	WEIGHT 3.8 g	SIZE A3 CAGE CODE 00779 DRAWING NO ©=284443
CUSTOMER DRAWING		SCALE 2:1	SHEET 2 OF 2 REV A1