

4

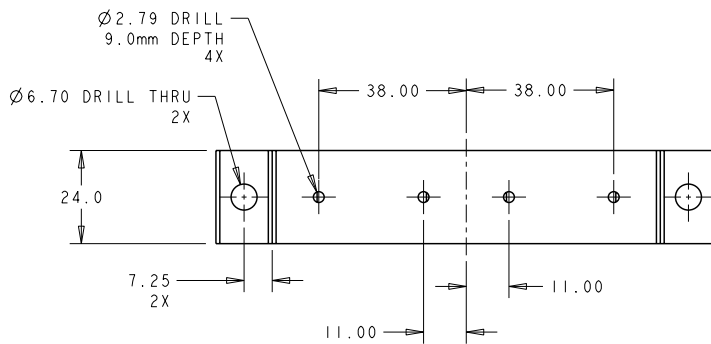
3

2

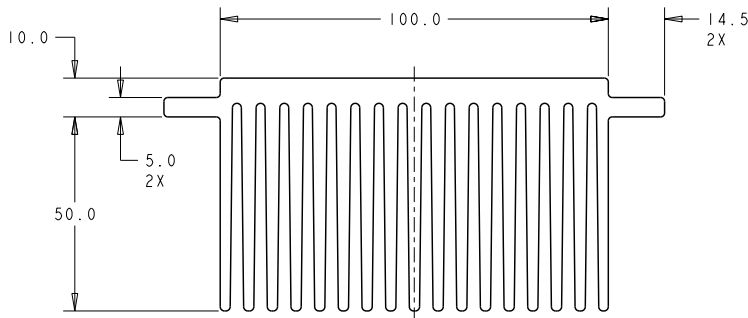
1

THIS DRAWING IS UNPUBLISHED. RELEASED FOR PUBLICATION 20
 COPYRIGHT 20 BY TYCO ELECTRONICS CORPORATION. ALL INTERNATIONAL RIGHTS RESERVED.

LOC	DIST	REVISIONS					
		P	LTR	DESCRIPTION	DATE	DWN	APVD
-	-	1		PROPOSED	14SEP2010	CD	MM
		2		DRILL DEPTH CHANGED TO 9.0	01DEC2010	CD	MM



△ MATERIAL:
 -HEAT SINK: ALUMINUM
 2. MUST COMPLY WITH DIRECTIVE 2002/95/EC (ROHS)



TYCO ELECTRONICS
 CONFIDENTIAL
 AND PROPRIETARY

PROPOSED DESIGN
 NOT PRODUCTION TOOLED

DESIGN IS SUBJECT TO
 CHANGE WITHOUT NOTICE

2154168-1
 PART NUMBER

<small>THIS DRAWING IS A CONTROLLED DOCUMENT FOR TYCO ELECTRONICS CORPORATION IT IS SUBJECT TO CHANGE AND THE CONTROLLING ENGINEERING ORGANIZATION SHOULD BE CONTACTED FOR THE LATEST REVISION.</small>		DWN 14SEP2010 C. DAILY CHK MOSTOLLER 14SEP2010 APVD - NAME - PRODUCT SPEC - APPLICATION SPEC - WEIGHT - CUSTOMER DRAWING	Tyco Electronics Corporation Harrisburg, PA 17105-3608 HEAT SINK, 24 X 100 BOARD SIZE CAGE CODE DRAWING NO A3 00779 C-2154168 RESTRICTED TO - SCALE 1:1 SHEET 1 OF 1 REV 2
DIMENSIONS: mm 	TOLERANCES UNLESS OTHERWISE SPECIFIED: 0 PLC ±- 1 PLC ±0.2 2 PLC ±0.13 3 PLC ±- 4 PLC ±- ANGLES ±3° MATERIAL △ FINISH -	TITLE: HEAT SINK, 24 X 100 BOARD DRAWING NO: A3 00779 C-2154168 PART NUMBER: 2154168-1	CUSTOMER DRAWING