

4

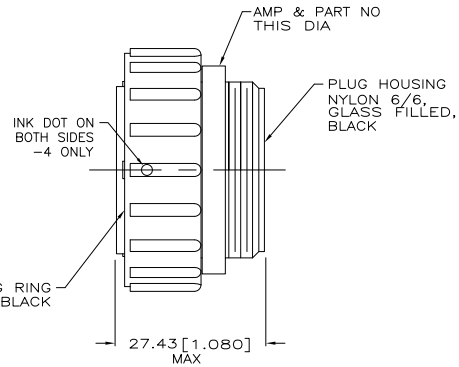
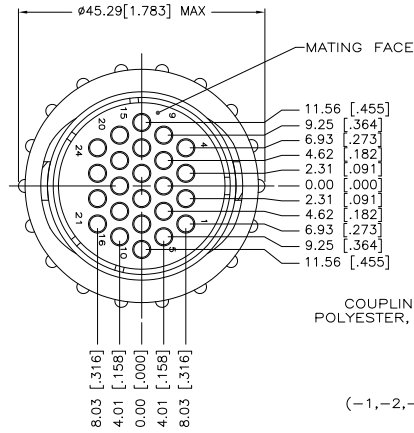
3

2

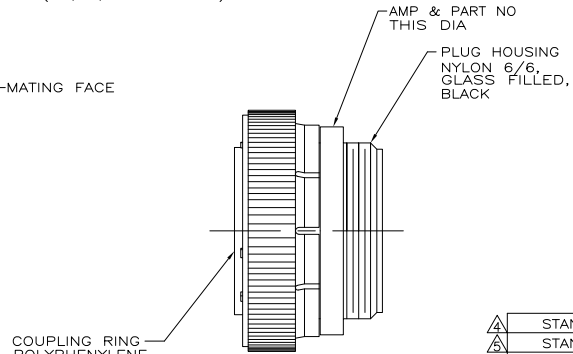
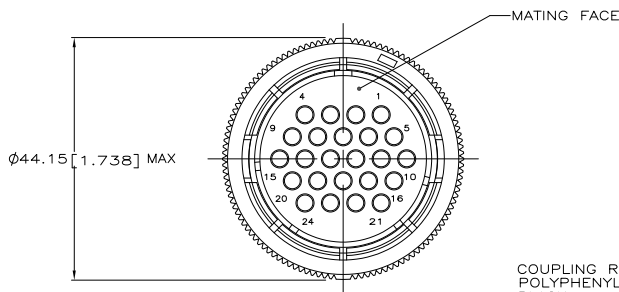
1

THIS DRAWING IS UNPUBLISHED. RELEASED FOR PUBLICATION. ALL RIGHTS RESERVED.

LOC	DIST	REVISIONS		
F	LNK	DESCRIPTION	DATE	BY
0				
C2		REVISED PER ECO-11-004587	11MAR11	RK HMR



(-1,-2,-4 & -5 ONLY)



(-3 ONLY)

STANDARD	206837-5
STANDARD	206837-4
STANDARD	206837-3
SMALL PACK	206837-2
STANDARD	206837-1
PACKAGING	PART NUMBER

- CONNECTOR WILL ACCEPT (24) MULTIMATE SOCKET CONTACTS.
- MAXIMUM INSULATION NOT TO EXCEED .150 DIA.
- CONTACT CAVITIES IDENTIFIED BY CHARACTERS ON FRONT AND REAR FACE OF CONNECTOR.

- WHITE DOT NEAR POSITION 1 ON WIRE ENTRY FACE.
- PRELIMINARY PART NUMBER.

THIS DRAWING IS A CONTROLLED DOCUMENT. DIM S. RIDGLEY BC 31 JUL 90
CHK. R. STONE 28 APR 91
APPD. K. BEAVER 03 APR 91

DIMENSIONS	TOLERANCES UNLESS OTHERWISE SPECIFIED	PRODUCT SPEC	SIZE	QTY	CODE	DRAWING NO	RESTRICTED TO
mm [INCHES]	0 PLG ± .010	108-10024	A2	00779	C	206837	
	1 PLG ± .010						
	2 PLG ± .010						
	3 PLG ± .010						
	4 PLG ± .010						
	ANGLES ± .010						
MATERIAL	FINISH	WEIGHT					
SEE CALLOUT							

CUSTOMER DRAWING SCALE 2:1 SHEET 1 of 1 REV C2