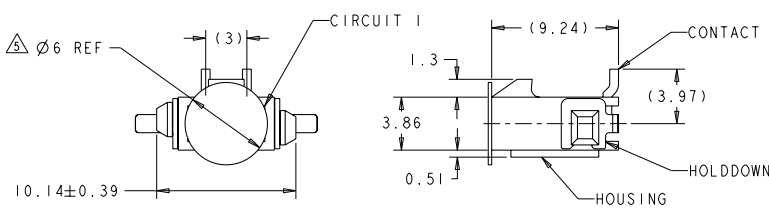
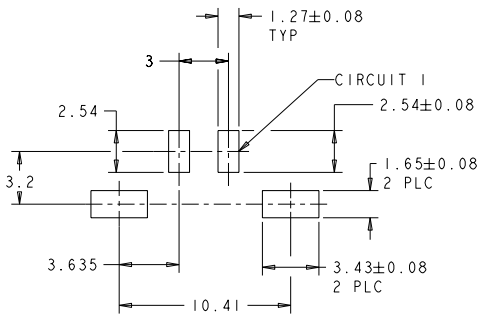
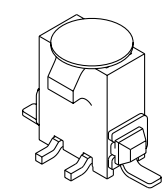
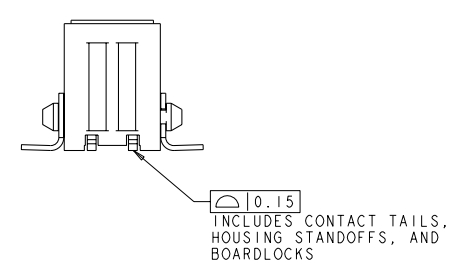


THIS DRAWING IS UNPUBLISHED. RELEASED FOR PUBLICATION
 BY TYCO ELECTRONICS CORPORATION. ALL RIGHTS RESERVED.

LOC	DIST	REVISIONS					
CM	00	P	LYR	DESCRIPTION	DATE	BY	APPR
		B		REVISED PER ECO-08-009599	16 JUL 2008	HMR	CJ



- △ MATERIAL: CONTACTS - BRASS
 HOUSING - UL 94V-0 RATED HIGH TEMP NYLON, COLOR BLACK.
 HOLDDOWNS: - PHOSPHOR BRONZE.
- △ PLATING: CONTACTS - 0.76µm MINIMUM GOLD ON MATING END,
 2.54µm MINIMUM TIN ON SOLDER TAILS, BOTH OVER
 1.27µm MINIMUM NICKEL.
 HOLDDOWNS: 2.54µm MINIMUM TIN OVER 1.27µm MINIMUM
 NICKEL.
- △ RECOMMENDED PC BOARD THICKNESS OF 1.57.
- △ KAPTON VACUUM PICK UP BUTTON.
- △ SPECIAL PACKAGING FOR IEC 286-3 REQUIREMENT. PARTS ORIENTED
 180° DIFFERENT IN TAPE THAN STANDARD PART NUMBER 1445096.



PCB LAYOUT COMPONENT SIDE △



△	2	2029032-2
PLATING	NO. OF POSN	PART NUMBER

TYCO ELECTRONICS CORPORATION 1400 W. MARKET STREET HARRISBURG, PA 17105-3608	OWN W. WHITTAKER 15 JAN 2008	NAME VERTICAL SURFACE MOUNT HEADER ASSY, 30 MIC GOLD CONTACTS, SURF MOUNT HOLDDOWNS, SGL ROW, MICRO MATE-N-LOK
DESIGNED BY C. JONES 15 JAN 2008	APPROVED BY C. JONES 15 JAN 2008	PRODUCT SPEC APPLICATION SPEC
DIMENSIONS: mm	TOLERANCES UNLESS OTHERWISE SPECIFIED: 0 PLC ±. 1 PLC ±. 2 PLC ±0.13 3 PLC ±. 4 PLC ±. ANGLES ±. FINISH	WEIGHT RESTRICTED TO
MATERIAL △ -	SEE TABLE	SCALE 6:1 SHEET 1 OF 1 REV B