



PRODUCT NUMBER
20020010-XXXXXXLF

20020010-□ □ □ □ □ 0 □ L F

PITCH
C: 3.50 mm
D: 3.81 mm
G: 5.00 mm
H: 5.08 mm

POLES
02: 2 POLES
03: 3 POLES
04: 4 POLES

24: 24 POLES

LF : NOTED RoHS COMPATIBLE

1 : STANDARD PRODUCT
W/ BOX PACKING

PROPERTY TABLE						
FCI SERIES NAME		02-350	02-381	02-500	02-508	
PITCH (mm)		3.50	3.81	5.00	5.08	
VOLTAGE RATING (VAC)		300	300	300	300	
CURRENT RATING (A)	cULus	8	8	12	12	
	VDE	10	10	NA	NA	
APPLICABLE WIRE RANGE (AWG)	1-WIRE	16~28	16~28	12~24	12~24	
	2-WIRE	20	20	18	18	
	1-WIRE	1.5	1.5	2.5	2.5	
	2-WIRE	0.5	0.5	1.0	1.0	
WIRE CROSS SECTION (mm ²)	SOLID	1-WIRE	1.5	1.5	2.5	2.5
	STRANDED	1-WIRE	1.5	1.5	2.5	2.5
		2-WIRE	0.75	0.75	1.5	1.5
OPENING CONTACT HOUSING(mm ²)		2.8x1.7	2.8x1.7	2.6x3.3	2.6x3.3	
WIRE STRIP LENGTH(mm)		6~7	6~7	6~7	6~7	
TORQUE +/-10% (N-m/Lb-in)		0.19/1.7	0.19/1.7	0.4/3.5	0.4/3.5	
SCREW		M2x0.4	M2x0.4	M3x0.5	M3x0.5	
WITHSTANDING VOLTAGE (kV)	cULus	1.6	1.6	1.6	1.6	
	VDE	2.5	2.5	NA	NA	
OPERATING TEMP. (°C)		-40~+115	-40~+115	-40~+115	-40~+115	
POLES AVAILABLE		02~24	02~24	02~24	02~24	
SAFETY CERTIFICATE						

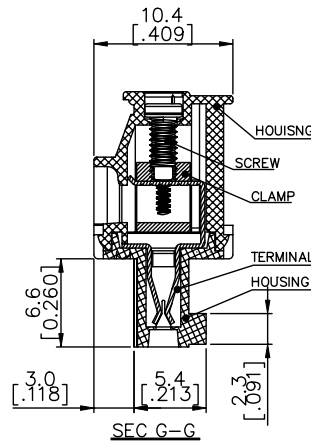
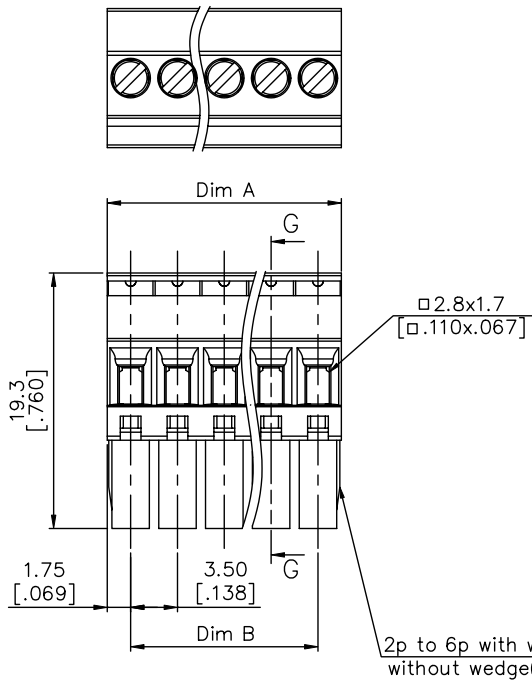
CODE	COLOR	AVAILABILITY
1	GREEN(RAL 6018/T)	STANDARD
2	BLACK	ON REQUEST ONLY
3	GREY(RAL 7004/P)	ON REQUEST ONLY
4	BLUE(RAL 5015/A)	ON REQUEST ONLY

CODE	SCREW TYPE	AVAILABILITY
A	-/+	ON REQUEST ONLY
B	-	STANDARD

- NOTES:
- MATERIALS
 - 1-1 HOUSING: THERMALPLASTIC RESIN, UL 94V-0 RATED.
 - 1-2 SCREW: STEEL, ZINC PLATED.
 - 1-3 CLAMP: COPPER ALLOY, NICKEL PLATED.
 - 1-4 TERMINAL: COPPER ALLOY, TIN PLATED.
 - PRODUCT SPECIFICATION REFER TO FCI GS-12-625.
 - PRODUCT PACKING SPECIFICATION REFER TO FCI GS-14-1394.
 - FCI, SAFETY CERTIFICATE LOGO AND SERIES NAME TO BE SHOWN ON PRODUCT SURFACE.
 - THE PRODUCTS WHERE THE PART NUMBER END IN "LF" MEET THE EUROPEAN UNION DIRECTIVE AND OTHER COUNTRY REGULATIONS AS DESCRIBED IN GS-22-008.

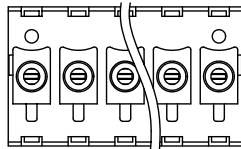
mat'l. code		surface ASME Y14.5	tolerance ASME Y14.5	projection	product family
itr		tolerances unless otherwise specified		MM	TERMINAL BLOCK
A	T10-0029	JH	120909	X.±0.5	TERMINAL BLOCK PLUGGABLE PLUG, BACK SIDE HOOK
B	T10-0042	WL	030310	X.X±0.3	
C	T10-0082	WL	080510	X'±1"	scale
D	T10-0158	WL	100410	dr	JASON HSU 120909
E	T11-0013	WL	040811	engr	JASON HSU 120909
		chr	GARY HSIEH 120909		
		appd	JOSEPH HSIA 120909		
sheet index	revision sheet	E	E	E	E
1	2	3	4	5	
dwg no		sheet 1 of 5		size	A4
20020010				type	CUSTOMER Drawing

PRODUCT NUMBER	SERIES NAME	PITCH
20020010-CXXXXXXLF	02-350	3.50 mm



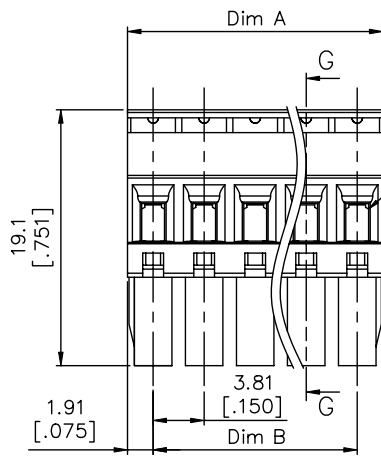
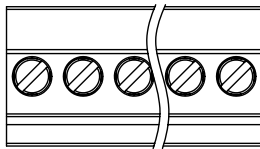
N = Number of poles
 Dim A = $N \times 3.5$ [.138]
 Dim B = $(N-1) \times 3.5$ [.138]

POLES	Dim A	Dim B
2-6p	± 0.15 [.006]	
7-12p	± 0.20 [.008]	
13-18p	± 0.25 [.010]	
19-24p	± 0.30 [.012]	

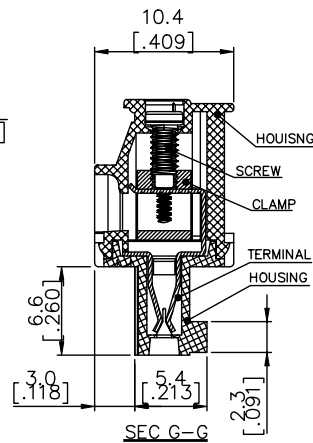


mat'l. code	surface ASME Y14.5	tolerance ASME Y14.5	projection	product family
ltr	ecn	no	dr	date
E				
	angles	tolerances unless otherwise specified	MM	title
	X \pm 1°	X. \pm 0.5	[INCH]	TERMINAL BLOCK
		X.X \pm 0.3	scale	PLUGGABLE PLUG, BACK SIDE HOOK
		X.XX \pm 0.1		dwg no
	dr	JASON HSU	120909	sheet 2 of 5
	enr	JASON HSU	120909	size
	chr	GARY HSIEH	120909	20020010
	appd	JOSEPH HSIA	120909	A4
sheet index	revision sheet			type
				CUSTOMER Drawing

PRODUCT NUMBER	SERIES NAME	PITCH
20020010-DXXXXXXLF	02-381	3.81 mm



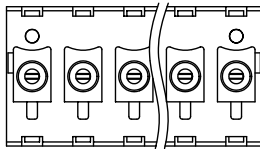
∅2.8x1.7
[∅.110x.067]



N = Number of poles
Dim A=Nx3.81[.150]
Dim B=(N-1)x3.81[.150]

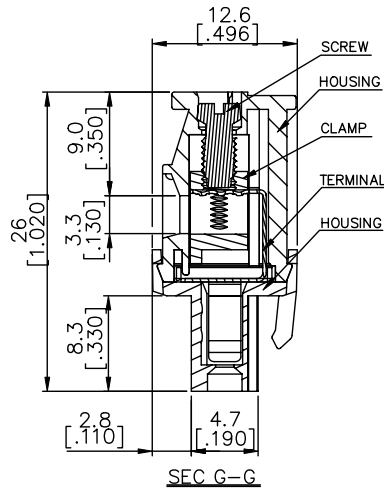
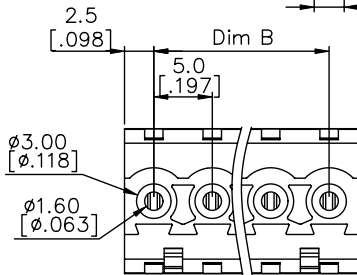
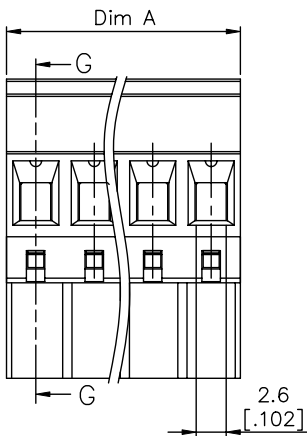
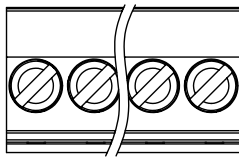
POLES	Dim A	Dim B
2-6p	±0.15[.006]	
7-12p	±0.20[.008]	
13-18p	±0.25[.010]	
19-24p	±0.30[.012]	

2p to 6p with wedge, above 7p
without wedge(including 7p)



mat'l. code	surface ASME Y14.5	tolerance ASME Y14.5	projection	product family
ltr	ecn	no	dr	date
E				
	angles	X.±0.5	MM	title
	X'±1'	X.X±0.3	[INCH]	TERMINAL BLOCK
		X.XX±0.1	scale	PLUGGABLE PLUG, BACK SIDE HOOK
	dr	JASON HSU	120909	dwg no
	enr	JASON HSU	120909	sheet 3 of 5
	chr	GARY HSIEH	120909	size
	appd	JOSEPH HSIA	120909	A4
sheet index	revision sheet			type
				CUSTOMER Drawing

PRODUCT NUMBER	SERIES NAME	PITCH
20020010-GXXXXXLFF	02-500	5.00 mm

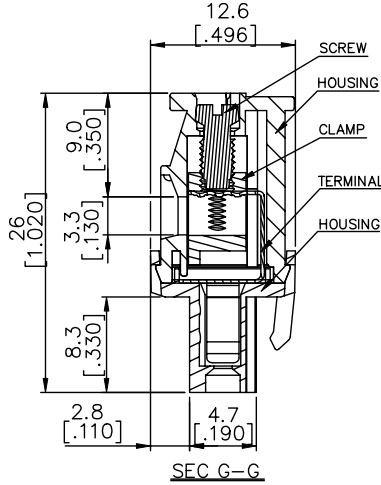
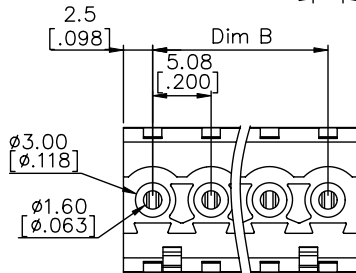
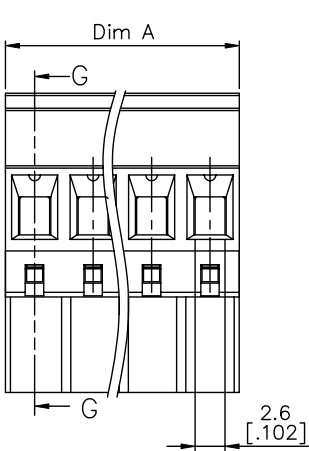
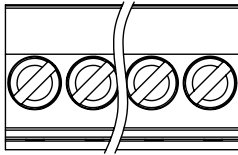


N = Number of poles
 Dim A = $N \times 5.0$ [.197]
 Dim B = $(N-1) \times 5.0$ [.197]

POLES	Dim A	Dim B
2-6p	± 0.15 [.006]	
7-12p	± 0.25 [.010]	
13-18p	± 0.30 [.012]	
19-24p	± 0.40 [.016]	

mat'l. code	surface ASME Y14.5	tolerance ASME Y14.5	projection	product family	TERMINAL BLOCK
ltr ecn no dr date	tolerances unless otherwise specified			title	TERMINAL BLOCK
E	angles	MM	INCH	PLUGGABLE PLUG, BACK SIDE HOOK	
	X \pm 1°	X.X \pm 0.5	scale	dwg no	sheet 4 of 5 size
		X.X \pm 0.3		20020010	A4
		X.X \pm 0.1		type	CUSTOMER Drawing
dr JASON HSU 120909	enr JASON HSU 120909	chr GARY HSIEH 120909	appd JOSEPH HSIA 120909	FCI logo	
sheet index	revision sheet				

PRODUCT NUMBER	SERIES NAME	PITCH
20020010-HXXXXXXLF	02-508	5.08 mm



N = Number of poles
 Dim A = $N \times 5.08$ [.200]
 Dim B = $(N-1) \times 5.08$ [.200]

POLES	Dim A	Dim B
2-6p	± 0.15 [.006]	
7-12p	± 0.25 [.010]	
13-18p	± 0.30 [.012]	
19-24p	± 0.40 [.016]	

mat'l. code	surface ASME Y14.5	tolerance ASME Y14.5	projection	product family
ltr ecn no dr date	tolerances unless otherwise specified	angles	MM [INCH]	TERMINAL BLOCK
E		X \pm 0.5 X.X \pm 0.3 X.XX \pm 0.1	scale	title
				TERMINAL BLOCK PLUGGABLE PLUG, BACK SIDE HOOK
	dr JASON HSU 120909			dwg no 20020010 sheet 5 of 5 size A4
	enr JASON HSU 120909			FCI
	chr GARY HSIEH 120909			type CUSTOMER Drawing
	appd JOSEPH HSIA 120909			
sheet index	revision sheet			