



PRODUCT NUMBER
20020009-XXXXXXLF

20020009- [] [] [] [] [] [] [] [] LF

PITCH
C : 3.50 mm
D : 3.81 mm
G : 5.00 mm
H : 5.08 mm

POLES
02: 2 POLES
03: 3 POLES
04: 4 POLES
:
:
:
24: 24 POLES

LF : DENOTES ROHS COMPATIBLE

1 : STANDARD PRODUCT
W/ BOX PACKING

SCREW CODE

CODE	SCREW TYPE	AVAILABILITY
A	-/+	ON REQUEST ONLY
B	-	STANDARD

ALL FLANGE SCREWS ARE ONLY AVAILABLE IN +/- COMBINATION SCREW TYPES.

HOUSING CODE

CODE	COLOR	AVAILABILITY
1	GREEN(RAL 6018/T)	STANDARD
2	BLACK	ON REQUEST ONLY
3	GREY(RAL 7004/P)	ON REQUEST ONLY
4	BLUE(RAL 5015/A)	ON REQUEST ONLY

PROPERTY TABLE				
FCI SERIES NAME	02-350	02-381	02-500	02-508
PITCH (mm)	3.50	3.81	5.00	5.08
VOLTAGE RATING (VAC)	300	300	300	300
CURRENT RATING (A)	cULus 8	8	12	12
	VDE 10	10	NA	NA
APPLICABLE WIRE RANGE (AWG)	1-WIRE 16~28	16~28	12~24	12~24
	2-WIRE 20	20	18	18
WIRE CROSS SECTION (mm ²)	SOLID	1-WIRE 1.5	1.5	2.5
		2-WIRE 0.5	0.5	1.0
	STRANDED	1-WIRE 1.5	1.5	2.5
		2-WIRE 0.75	0.75	1.5
OPENING CONTACT HOUSING(mm ²)	2.8x1.7	2.8x1.7	2.6x3.3	2.6x3.3
WIRE STRIP LENGTH(mm)	6~7	6~7	6~7	6~7
TORQUE +/-10% (N-m/Lb-in)	0.19/1.7	0.19/1.7	0.4/3.5	0.4/3.5
WITHSTANDING VOLTAGE (kV)	cULus 1.6	1.6	1.6	1.6
	VDE 2.5	2.5	NA	NA
OPERATING TEMP. (°C)	-40~+115	-40~+115	-40~+115	-40~+115
POLES AVAILABLE	02~24	02~24	02~24	02~24
SAFETY CERTIFICATE				

NOTES:

- MATERIALS
 - 1-1 HOUSING: THERMALPLASTIC RESIN, UL 94V-0 RATED.
 - 1-2 SCREW AND FLANGE SCREW: STEEL, ZINC PLATED.
 - 1-3 CLAMP: COPPER ALLOY, NICKEL PLATED.
 - 1-4 TERMINAL: COPPER ALLOY, TIN PLATED.
- PRODUCT SPECIFICATION REFER TO FCI GS-12-625.
- BOXED PACKAGING. DETAILED PRODUCT PACKING SPECIFICATION REFER TO FCI GS-14-1394.
- FCI, SAFETY CERTIFICATE LOGO AND SERIES NAME TO BE SHOWN ON PRODUCT SURFACE.
- THE PRODUCTS WHERE THE PART NUMBER END IN "LF" MEET THE EUROPEAN UNION DIRECTIVE AND OTHER COUNTRY REGULATIONS AS DESCRIBED IN GS-22-008.

mat'l. code		surface ASME Y14.5	tolerance ASME Y14.5	projection	product family
ltr	ecn no dr ddate	tolerances unless otherwise specified			TERMINAL BLOCK
A	T10-062 VL 050710	angles	X.±0.5	MM	TERMINAL BLOCK PLUGGABLE PLUG, SIGNAL, ENTRYSIDE HOOK W/FLANGE dwg no 20020009 sheet 1 of 5 size A4 type CUSTOMER Drawing
B	T10-027 VL 080910		X.X±0.3	[INCH]	
C	T10-0140 VL 090310	X'±1'	X.XX±0.1	scale	
D	T10-0155 VL 093010	dr WENDY CHEN	042310		
E	T10-0187 VL 121410	enrg JASON HSU	042310		
F	T11-0013 VL 040811	chr GARY HSIEH	042310		
		appd JOSEPH HSIA	042310		
sheet index	revision sheet	F 1 2	F 3 4 5		



Copyright FCI



FCIconnect.com

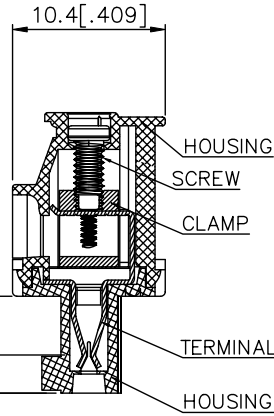
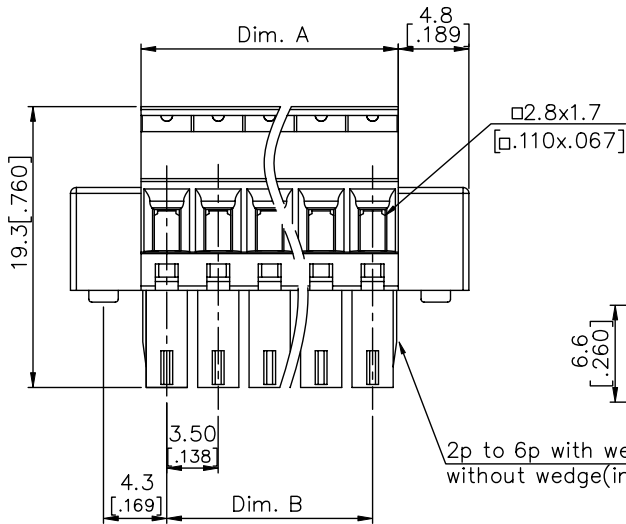
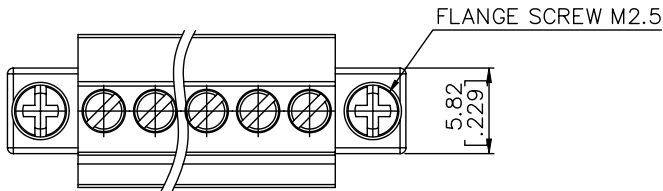


1 | 2

3

4

PRODUCT NUMBER	SERIES NAME	PITCH
20020009-CXXXXXL	02-350	3.50 mm



N = Number of poles

Dim A	NX3.5 [0.138]
Dim B	(N-1)X3.5 [0.138]

Poles	DIM.A	DIM.B
2p-6p	±0.15 [0.006]	
7p-12p	±0.20 [0.008]	
13p-16p	±0.25 [0.100]	
17p-24p	±0.30 [0.012]	

mat'l. code	surface ASME Y14.5	tolerance ASME Y14.5	projection	product family
ltr	ecn	no	dr	date
F				
	angles	tolerances unless otherwise specified	MM [INCH]	title
	X±1	X.±0.5	scale	TERMINAL BLOCK
		X.X±0.3		PLUGGABLE PLUG, SIGNAL, ENTRYSIDE HOOK
		X.XX±0.1		W/FLANGE
	dr	WENDY CHEN	042310	dwg no
	enr	JASON HSU	042310	sheet 2 of 5
	chr	GARY HSIEH	042310	size
	appd	JOSEPH HSIA	042310	A4
sheet index	revision sheet			type
				CUSTOMER Drawing

form: A4mmXLc

1

2

PDM: Rev:F 3 | STATUS Released Printed: Apr 21, 2011 4



Copyright FCI



FCIconnect.com



1 2

3

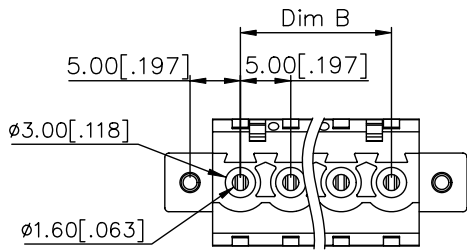
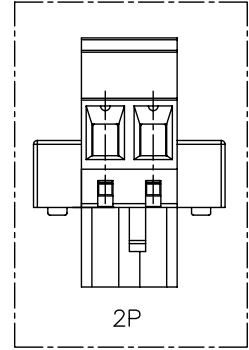
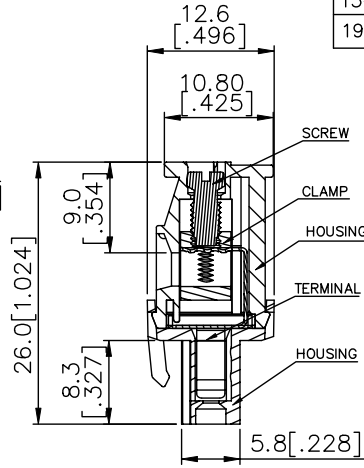
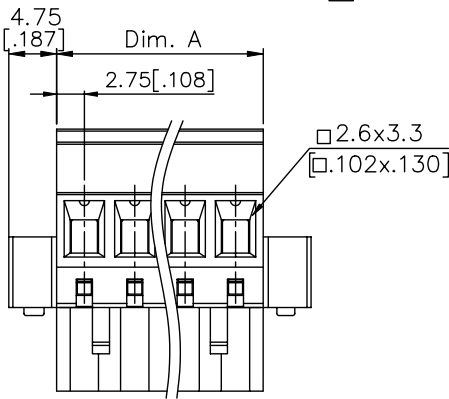
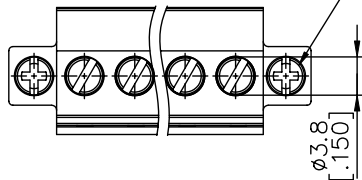
4

PRODUCT NUMBER	SERIES NAME	PITCH
20020009-GXXXXXL	02-500	5.00 mm

FLANGE SCREW M2.5

N = Number of poles
 Dim A = $N \times 5.0 [.197] + 0.5 [.020]$
 Dim B = $(N-1) \times 5.0 [.197]$

Poles	Dim A	Dim B
2-6p	$\pm 0.15 [.006]$	$\pm 0.15 [.006]$
7-12p	$\pm 0.25 [.010]$	$\pm 0.25 [.010]$
13-18p	$\pm 0.30 [.012]$	$\pm 0.30 [.012]$
19-24p	$\pm 0.40 [.016]$	$\pm 0.40 [.016]$



mat'l. code	surface ASME Y14.5	tolerance ASME Y14.5	projection	product family
ltr	ecn no	dr	date	TERMINAL BLOCK
F				title
				TERMINAL BLOCK
				PLUGGABLE PLUG, SIGNAL, ENTRYSIDE HOOK
				W/FLANGE
				dwg no
				20020009
				sheet 4 of 5
				size
				A4
				type
				CUSTOMER Drawing
sheet index	revision sheet			

form: A4mmXLc

1

2

PDM: Rev:F 3

STATUS Released

Printed: Apr 21, 2011 4



Copyright FCI



FCIconnect.com



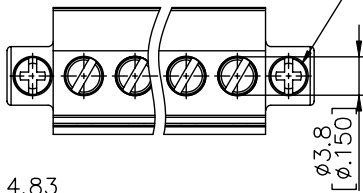
1 | 2

3 |

4

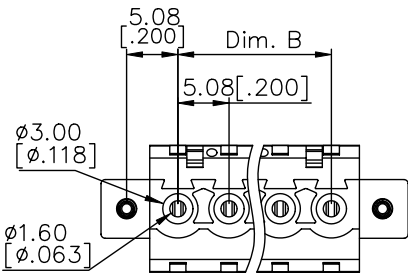
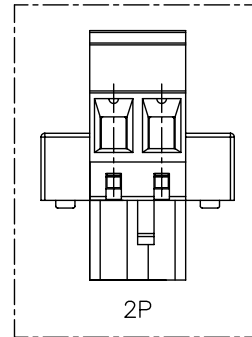
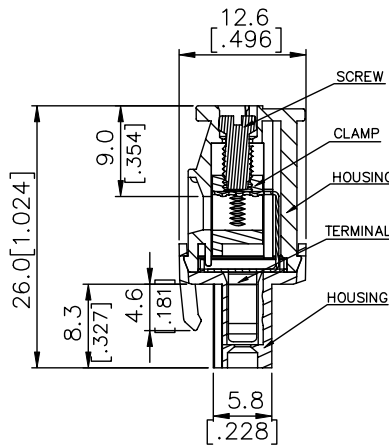
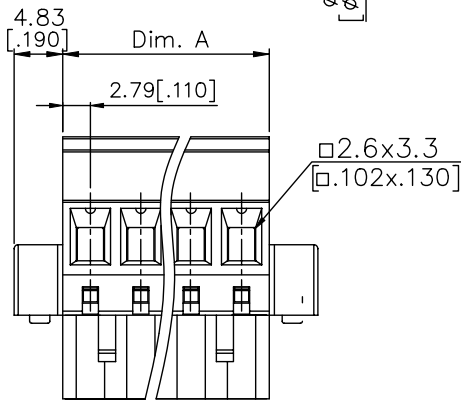
PRODUCT NUMBER	SERIES NAME	PITCH
20020009-HXXXXXLF	02-508	5.08 mm

FLANGE SCREW M2.5



N = Number of poles
 Dim A = $N \times 5.08 [0.200] + 0.5 [0.020]$
 Dim B = $(N - 1) \times 5.08 [0.200]$

Poles	Dim A	Dim B
2-6p	$\pm 0.15 [0.006]$	$\pm 0.15 [0.006]$
7-12p	$\pm 0.20 [0.008]$	$\pm 0.20 [0.008]$
13-18p	$\pm 0.30 [0.012]$	$\pm 0.30 [0.012]$
19-24p	$\pm 0.40 [0.016]$	$\pm 0.40 [0.016]$



mat'l. code	surface ASME Y14.5	tolerance ASME Y14.5	projection	product family
ltr	ecn	no	dr	date
F				
	tolerances unless otherwise specified			title
	angles	SI	MM	TERMINAL BLOCK
	X±1°	X.±0.5	[INCH]	PLUGGABLE PLUG, SIGNAL, ENTRYSIDE HOOK
		X.X±0.3	scale	W/FLANGE
		X.XX±0.1		dwg no
	dr	WENDY CHEN	042310	sheet 5 of 5
	enr	JASON HSU	042310	size
	chr	GARY HSIEH	042310	20020009
	appd	JOSEPH HSIA	042310	A4
sheet	revision			type
index	sheet			CUSTOMER Drawing

form: A4mmXLC

1 |

2 |

PDM: Rev:F 3 | STATUS Released Printed: Apr 21, 2011 4