

Copyright FCJ



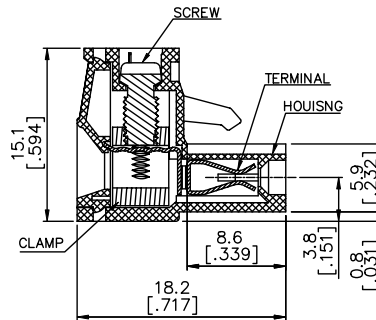
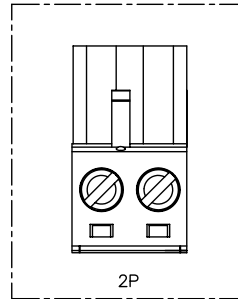
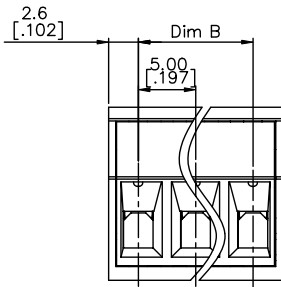
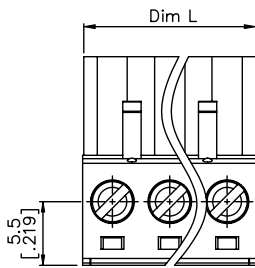
FCJconnect.com

1 | 2

3

4

PRODUCT NUMBER	SERIES NAME	PITCH
20020007-GXXXXXXLF	01-500	5.00 mm



POLE	2		3		4		5		6		7		8			
DIM.L	10.0[.394]	15.0[.590]	20.0[.787]	25.0[.984]	30.0[1.181]	35.0[1.377]	40.0[1.574]									
DIM.B	5.0[.196]	10.0[.394]	15.0[.590]	20.0[.787]	25.0[.984]	30.0[1.181]	35.0[1.377]									
Tol.	±0.15[.006]												±0.25[.010]			
POLE	9		10		11		12		13		14		15		16	
DIM.L	45.0[1.771]	50.0[1.968]	55.0[2.165]	60.0[2.362]	65.0[2.559]	70.0[2.755]	75.0[2.952]	80.0[3.149]								
DIM.B	40.0[1.574]	45.0[1.771]	50.0[1.968]	55.0[2.165]	60.0[2.362]	65.0[2.559]	70.0[2.755]	75.0[2.952]								
Tol.	±0.25[.010]												±0.30[.012]			
POLE	17		18		19		20		21		22		23		24	
DIM.L	85.0[3.346]	90.0[3.543]	95.0[3.74]	100.0[3.937]	105.0[4.133]	110.0[4.330]	115.0[4.527]	120.0[4.724]								
DIM.B	80.0[3.149]	85.0[3.346]	90.0[3.543]	95.0[3.74]	100.0[3.937]	105.0[4.133]	110.0[4.330]	115.0[4.527]								
Tol.	±0.30[.012]												±0.40[.016]			

mat'l. code	surface ASME Y14.5	tolerance ASME Y14.5	projection	product family	TERMINAL BLOCK
ltr ecn no dr date	tolerances unless otherwise specified		MM [INCH]	title	
B	angles	X.±0.5	MM [INCH]	TERMINAL BLOCK	
	X'±1'	X.X±0.3	scale	PLUGGABLE, PLUG, SIGNAL, W/O FLANGE	
		X.XX±0.1		DOWNSIDE CONTACT	
	dr WENDY CHEN	051410		dwg no	sheet 2 of 3 size
	enrg JASON HSU	051410		20020007	A4
	chr GARY Hsieh	051410			
	appd JOSEPH HSIA	051410		type	CUSTOMER Drawing
sheet index	revision sheet				

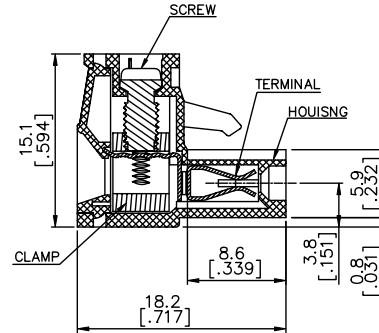
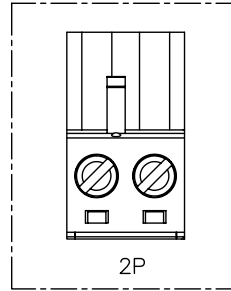
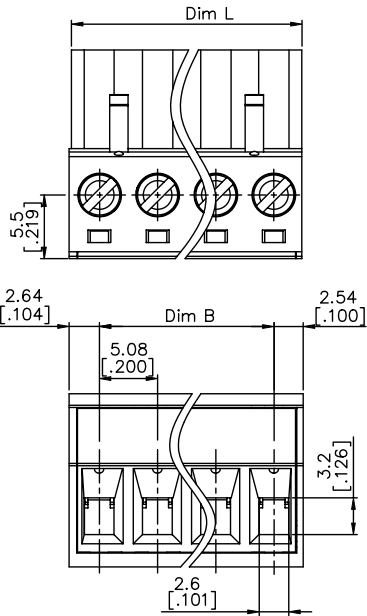
form: A4mmXLc

1 |

2

PDM: Rev:B 3 | STATUS Released Printed: Oct 08, 2010 4

PRODUCT NUMBER	SERIES NAME	PITCH
20020007-HXXXXXXLF	01-508	5.08 mm



POLE		2	3	4	5	6	7	8	
DIM.L		10.16[.400]	15.24[.600]	20.32[.800]	25.4[1.000]	30.48[1.200]	35.56[1.400]	40.64[1.600]	
DIM.B		5.08[.200]	10.16[.400]	15.24[.600]	20.32[.800]	25.4[1.000]	30.48[1.200]	35.56[1.400]	
Tol.		±0.15[.006]						±0.25[.010]	
POLE	9	10	11	12	13	14	15	16	
DIM.L	45.72[1.800]	50.8[2.000]	55.88[2.200]	60.96[2.400]	66.04[2.600]	71.12[2.800]	76.2[3.000]	81.28[3.200]	
DIM.B	40.64[1.600]	45.72[1.800]	50.8[2.000]	55.88[2.200]	60.96[2.400]	66.04[2.600]	71.12[2.800]	76.2[3.000]	
Tol.	±0.25[.010]				±0.30[.012]				
POLE	17	18	19	20	21	22	23	24	
DIM.L	86.36[3.400]	91.44[3.600]	96.52[3.800]	101.6[4.000]	106.68[4.200]	111.76[4.400]	116.84[4.600]	121.92[4.800]	
DIM.B	81.28[3.200]	86.36[3.400]	91.44[3.600]	96.52[3.800]	101.6[4.000]	106.68[4.200]	111.76[4.400]	116.84[4.600]	
Tol.	±0.30[.012]				±0.40[.016]				

mat'l. code	surface ASME Y14.5	tolerance ASME Y14.5	projection	product family
tr	ecn	no	dr	date
B				
tolerances unless otherwise specified				title
angles	MM	INCH	scale	TERMINAL BLOCK
X±1°	X.±0.5	X.X±0.3	X.XX±0.1	PLUGGABLE, PLUG, SIGNAL, W/O FLANGE
				DOWNSIDE CONTACT
dr	WENDY CHEN	051410		dwg no
enr	JASON HSU	051410		sheet 3 of 3
chr	GARY HSIEH	051410		size
appd	JOSEPH HSIA	051410		20020007
sheet index	revision sheet			A4
				type
				CUSTOMER Drawing