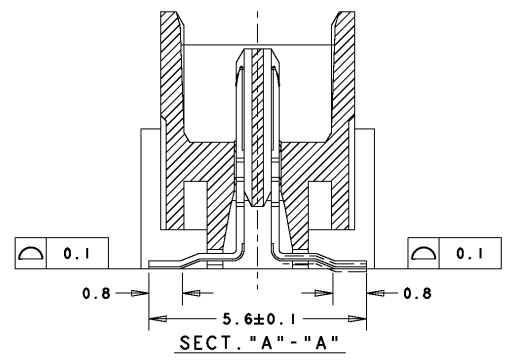
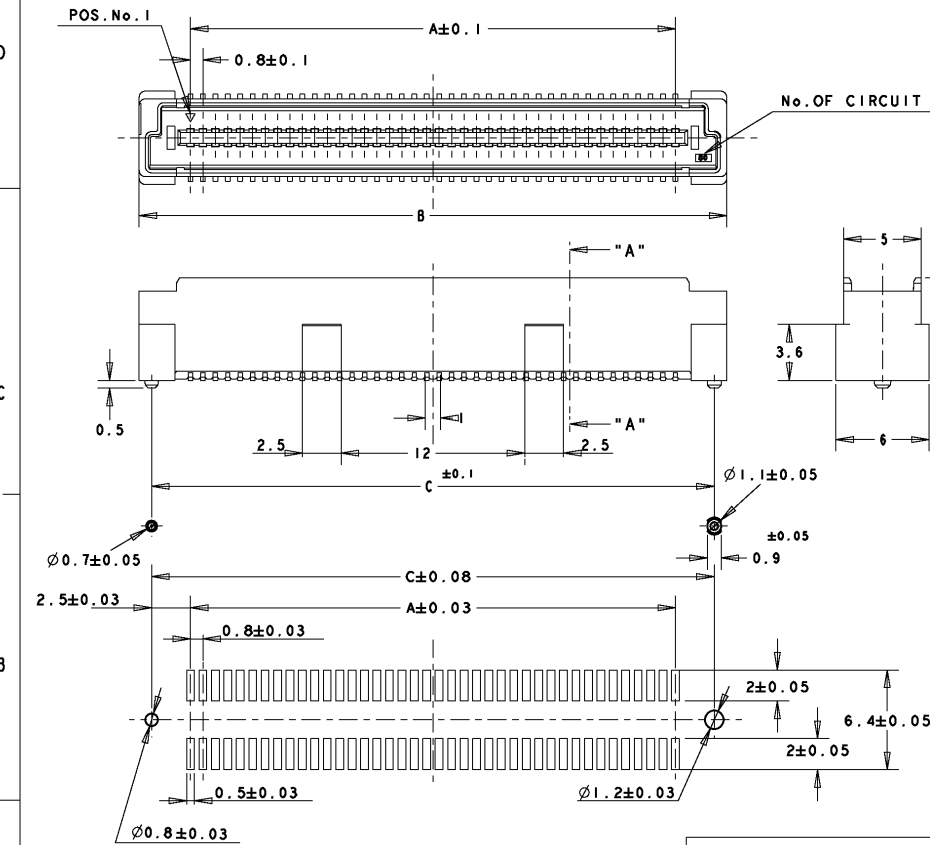


THIS DRAWING IS UNPUBLISHED. RELEASED FOR PUBLICATION .19  
 COPYRIGHT 19 BY - ALL RIGHTS RESERVED.

LOC	DIST	REVISIONS			
P	LTR	DESCRIPTION	DATE	BY	APPD
B1		REVISED PER ECO-11-005139	19MAR11	RK	HMR



- NOTES:
- ⚠ MATERIAL:  
HOUSING: L.C.P. (HIGH TEMP THERMO PLASTIC)  
UL 94V-0, NATURAL.  
CONTACT: BRASS.
  - ⚠ FINISH:  
CONTACT AREA: 0.0002 MIN GOLD ON  
0.0013 MIN ALL OVER NICKEL.
  - 3. SOLDERING AREA: 0.002 MIN MATTE-TIN.
  - 4. POSITION SERIES: SEE TABLE.
  - CONN STACK HEIGHT COMBINE OF PLUG "Y" H VS REC "X" H.  
STACK HEIGHT = Y + X - 5
  - ⚠ FINISH:  
CONTACT AREA: 0.00076 MIN GOLD ON  
0.0013 MIN ALL OVER NICKEL.  
SOLDERING AREA: 0.002 MIN MATTE-TIN.
  - ⚠ OBSOLETE PARTS: OBSOLETE CIS STREAMLINING PER  
D.RENAUD/D.SINISI.
  - ⚠ FINISH:  
CONTACT AREA: 0.00039 MIN GOLD ON  
0.0013 MIN ALL OVER NICKEL.  
SOLDERING AREA: 0.002 MIN MATTE-TIN.

P/N SEE SHEET 2 AND 3 OF 3

RECOMMENDED P.C. BOARD LAYOUT

DIMENSIONS: mm		TOLERANCES UNLESS OTHERWISE SPECIFIED: 0 PLC ± 1 PLC ±0.30 2 PLC ±0.25 3 PLC ±0.20 4 PLC ± ANGLES ±°		DWG 30AUG04 FLORENCE TAN CHK ERIC ING APPD SF LEONG PRODUCT SPEC 108-5390 APPLICATION SPEC 114-5254 WEIGHT - CUSTOMER DRAWING		NAME <b>STE</b> TE Connectivity PLUG ASSEMBLY 7H TYPE (0.5 BOSS LENGTH) FOR FH 0.8mm PITCH B-T-B CONNECTOR		SIZE A3 CAGE CODE 00779 DRAWING NO C-5179030		SCALE 4:1 SHEET 1 of 3 REV B1	
MATERIAL 		FINISH SEE P/N TABLE									

AMP 1470-19 REV 08MAY94

4

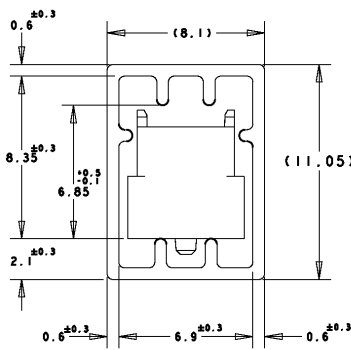
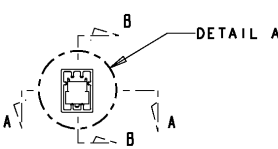
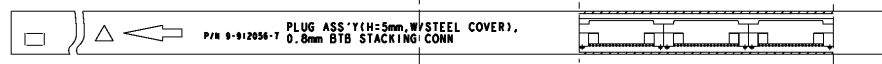
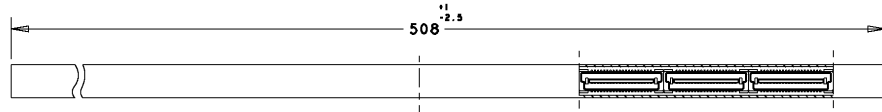
3

2

1

THIS DRAWING IS UNPUBLISHED. RELEASED FOR PUBLICATION .19  
 COPYRIGHT 19 BY ALL RIGHTS RESERVED.

LOC	DIST	REVISIONS			
P	LTN	DESCRIPTION	DATE	BY	APPD
-	-	SEE SHEET 1	-	-	-



CNT	PLT	5	6	7	8	9	10	11	12	13	14	15	16	17	18	19	20	21	22	23	24	25	26	27	28	29	30	31	32	33	34	35	36	37	38	39	40	41	42	43	44	45	46	47	48	49	50	51	52	53	54	55	56	57	58	59	60	61	62	63	64	65	66	67	68	69	70	71	72	73	74	75	76	77	78	79	80	81	82	83	84	85	86	87	88	89	90	91	92	93	94	95	96	97	98	99	100
CNT PLT 19A/75A	NOT AVAILABLE	5	84.2	85.8	79.2	200	4-	-0																																																																																									
		6	76.2	77.8	71.2	180	3-	-9																																																																																									
		6	68.2	69.8	63.2	160	3-	-8																																																																																									
		7	60.2	61.8	55.2	140	3-	-6																																																																																									
		9	52.2	53.8	47.2	120	3-	-5																																																																																									
		10	44.2	45.8	39.2	100	3-	-4																																																																																									
CNT PLT 30A/75A	NOT AVAILABLE	12	36.2	37.8	31.2	80	3-	-3																																																																																									
		16	28.2	29.8	23.2	60	3-	-2																																																																																									
		22	20.2	21.8	15.2	40	3-	-1																																																																																									
		5	84.2	85.8	79.2	200	2-	-0																																																																																									
		6	76.2	77.8	71.2	180	1-	-9																																																																																									
		6	68.2	69.8	63.2	160	1-	-8																																																																																									
CNT PLT 30A/75A	AVAILABLE	7	64.2	65.8	59.2	150	1-	-7																																																																																									
		7	60.2	61.8	55.2	140	1-	-6																																																																																									
		9	52.2	53.8	47.2	120	1-	-5																																																																																									
		10	44.2	45.8	39.2	100	1-	-4																																																																																									
		12	36.2	37.8	31.2	80	1-	-3																																																																																									
		16	28.2	29.8	23.2	60	1-	-2																																																																																									
CNT PLT 30A/75A	AVAILABLE	22	20.2	21.8	15.2	40	1-	-1																																																																																									
		5	84.2	85.8	79.2	200	1-	-0																																																																																									
		6	76.2	77.8	71.2	180		-9																																																																																									
		6	68.2	69.8	63.2	160		-8																																																																																									
		7	64.2	65.8	59.2	150		-7																																																																																									
		7	60.2	61.8	55.2	140		-6																																																																																									
CNT PLT 30A/75A	AVAILABLE	9	52.2	53.8	47.2	120		-5																																																																																									
		10	44.2	45.8	39.2	100		-4																																																																																									
		12	36.2	37.8	31.2	80		-3																																																																																									
		16	28.2	29.8	23.2	60		-2																																																																																									
		22	20.2	21.8	15.2	40		-1																																																																																									
		5179030-1																																																																																															
FINISH	AVAILABILITY	QTY/TUBE	C	B	A	POS.	CONN	P/N																																																																																									

DETAIL "B"  
(SCALE 5-1)

DIMENSIONS: mm		TOLERANCES UNLESS OTHERWISE SPECIFIED: 0 PLC ± 1 PLC ±0.30 2 PLC ±0.25 3 PLC ±0.20 4 PLC ± ANGLES ± FINISH		30AUG04 FLORENCE TAN ERIC ING SF LEONG 108-5390 114-5254		<b>STE</b> TE Connectivity PLUG ASSEMBLY 7H TYPE (0.5 BOSS LENGTH) FOR FH 0.8mm PITCH B-T-B CONNECTOR											
MATERIAL 		SEE P/N TABLE		WEIGHT -		SIZE A3		CAGE CODE 00779		DRAWING NO 5179030		SCALE 4:1		SHEET 2 of 3		REV B1	

AMP 1470-19 REV 08MAY94

PROJ NO. 593-312

C

B

A

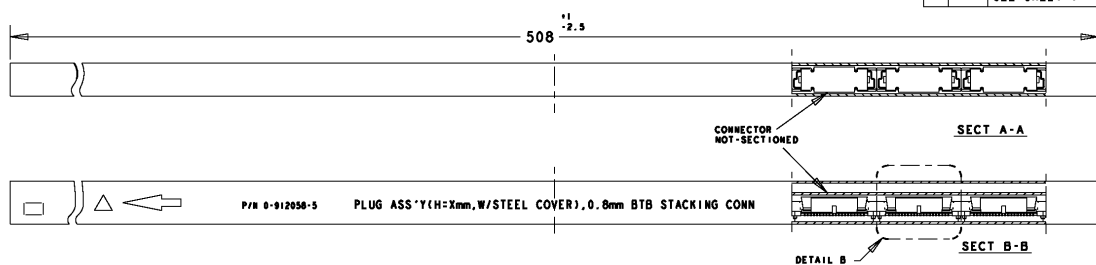
4

3

2

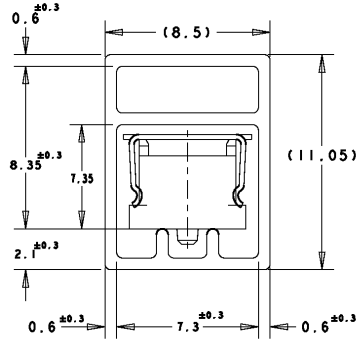
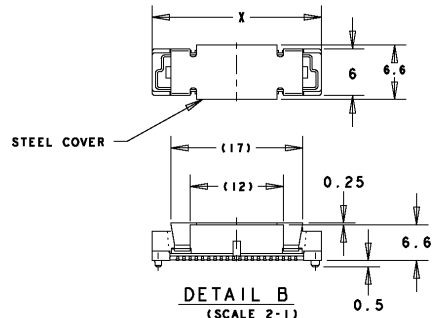
1

THIS DRAWING IS UNPUBLISHED.		RELEASED FOR PUBLICATION		.19		REVISIONS							
COPYRIGHT 19		BY -		ALL RIGHTS RESERVED.		LOC	DIST	P	LTN	DESCRIPTION	DATE	DNM	APVD
						DY	-			SEE SHEET 1			



P/N 8-912050-5 PLUG ASS'Y (H=Xmm, W/STEEL COVER), 0.8mm BTB STACKING CONN

**PLUG TUBE ASSY WITH STEEL COVER FOR FH 0.8 B-T-B CONNECTOR**



CNT P/LT 30AUG04 WITH STEEL COVER	AVAILABLE	5	85.8	200	3-	-0
		6	77.8	180	2-	-9
		6	69.8	160	2-	-8
		7	65.8	150	2-	-7
	AVAILABLE	7	61.8	140	2-	-6
		9	53.8	120	2-	-5
		10	45.8	100	2-	-4
		12	37.8	80	2-	-3
		16	29.8	60	2-	-2
		22	21.8	40	2-5	179030-1
FINISH/REMARKS	AVAILABILITY	QTY/TUBE	X	POS.	CONN	P/N

DIMENSIONS: mm		TOLERANCES UNLESS OTHERWISE SPECIFIED: 0 PLC ± 1 PLC ±0.30 2 PLC ±0.25 3 PLC ±0.20 4 PLC ± ANGLES ±°		OWN: FLORENCE TAN CHK: ERIC ING APPD: SF LEONG PRODUCT SPEC: 108-5390 APPLICATION SPEC: 114-5254 WEIGHT: - CUSTOMER DRAWING		NAME: ERIC ING DRAWING NO: 5179030 SIZE: A3 CAGE CODE: 00779 SCALE: 1:1		TE Connectivity PLUG ASSEMBLY 7H TYPE (0.5 BOSS LENGTH) FOR FH 0.8mm PITCH B-T-B CONNECTOR SHEET 3 of 3 REV B1	
MATERIAL:		FINISH: SEE P/N TABLE		30AUG04				DRAWING NO: 5179030	

AMP 1470-19 REV 08MAY94