

4

3

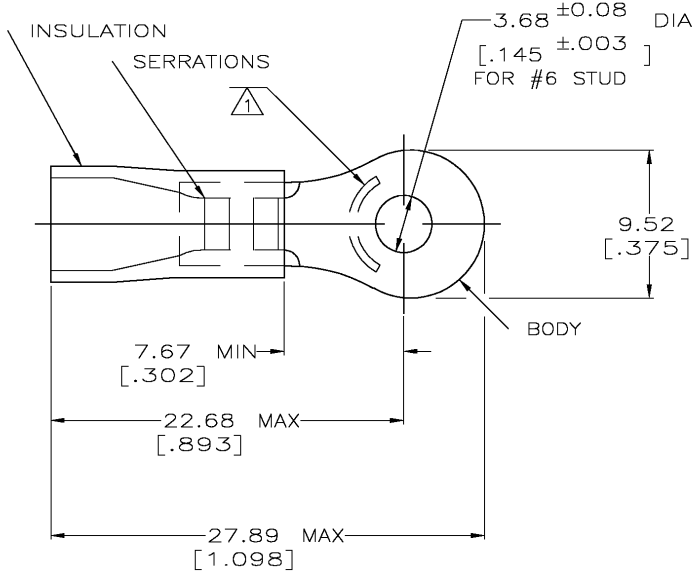
2

1

THIS DRAWING IS UNPUBLISHED. RELEASED FOR PUBLICATION
 © COPYRIGHT - BY TYCO ELECTRONICS CORPORATION. ALL RIGHTS RESERVED.

| LOC | DIST | REVISIONS | | | | | |
|-----|------|-----------|-----|----------------------|---------|-----|------|
| | | P | LTR | DESCRIPTION | DATE | DWN | APVD |
| G | 14 | | H | REV PER 0G3A-0668-04 | 24AUG04 | JR | TM |

- △1 STAMP AMP 12-10*, APPROX AS SHOWN
- 2 WIRE INSULATION DIA: .150-.250
- 3 TONGUE MATERIAL THK IS 1.02±0.05 [.040±.002]
- △4 MATERIAL: BODY; COPPER PER ASTM B152
INSULATION; PVC
COLOR; YELLOW
- △5 FINISH: BODY; TIN PL. PER ASTM B545



| | | |
|--------------------------------|--------------------------------|--------------------------------|
| AMP WIRE RANGE | Listed | LR7189 Certified |
| 12-10 AWG SOLID OR STRANDED | 12-10 AWG SOLID OR STRANDED | 12-10 AWG SOLID OR STRANDED |

| | | |
|------|---------------|-----------|
| 50 | LOOSE PC,BOX | 8-34168-2 |
| 2500 | ON TAPE, REEL | 2-34168-1 |
| - | LOOSE PIECE | 34168 |
| QTY | PACKAGE TYPE | PART NO |

| | | | | | | |
|--|--|---|--|--|-----------------------------------|---|
| AMP INCORPORATED CUSTOMER SERVICE SYSTEMS | | MAX RECOMMENDED OPERATING TEMPERATURE: 105°C [221°F] | THIS DRAWING IS A CONTROLLED DOCUMENT. | | DWN DK SCHRUM 08/06/92 | Tyco Electronics Corporation Harrisburg, Pa 17105-3608 |
| FOR ADDITIONAL PRODUCT INFORMATION OR COPIES OF DRAWINGS AND TECHNICAL DOCUMENTS | PRODUCT INFORMATION CENTER 1-800-522-6752 | VOLTAGE RATING: N/A | DIMENSIONS: mm [INCHES] | TOLERANCES UNLESS OTHERWISE SPECIFIED: 0 PLC ± - 1 PLC ± - 2 PLC ± 0.20[.008] 3 PLC ± - 4 PLC ± - ANGLES ± - | CHK RE HERSEY 11/10/92 | |
| FOR APPLICATION | TOOLING ASSISTANCE CENTER 1-800-722-1111 | CIRCULAR MIL AREA: 2.62-6.64mm² [5180-13100] SOLID OR STRANDED | MATERIAL | | APVD M ELLIS 11/10/92 | PRODUCT SPEC 108-1034 |
| FOR ORDER ENTRY | 1-800-526-5142 | THIS DRAWING IS A CONTROLLED DOCUMENT FOR AMP INCORPORATED. IT IS SUBJECT TO CHANGE AND THE CONTROLLING ENGINEERING ORGANIZATION SHOULD BE CONTACTED FOR THE LATEST REVISION. | | FINISH | APPLICATION SPEC NOT AVAILABLE | SIZE A3 |
| | | | | △4 | △5 | CAGE CODE 00779 |
| | | | | CUSTOMER DRAWING | | DRAWING NO 34168 |
| | | | | | | RESTRICTED TO - |
| | | | | | | SCALE 4:1 |
| | | | | | | SHEET 1 OF 1 |
| | | | | | | REV H |

AMP 1470-19 REV 31MAR2000