

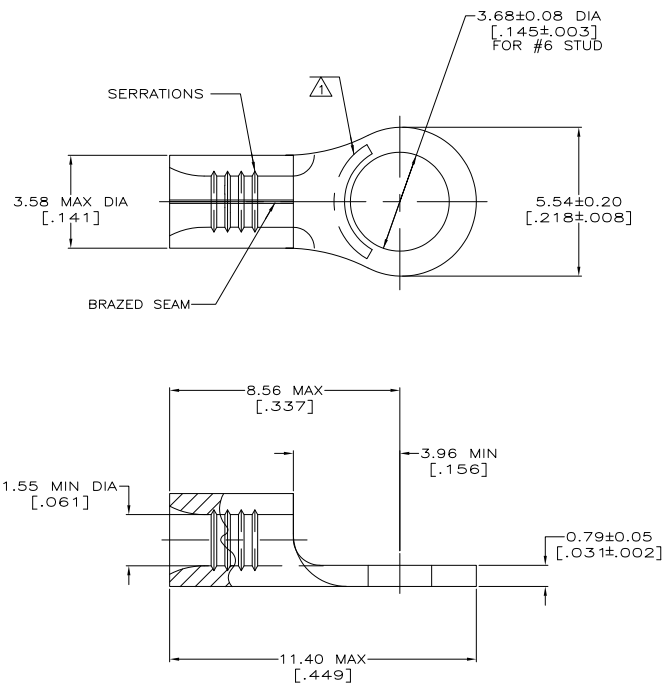
THE DRAWING IS UNPUBLISHED.
 RELEASED FOR PUBLICATION
 © COPYRIGHT - By - ALL RIGHTS RESERVED.

LOC	QTY	REV	DESCRIPTION	MS	DATE	DRW	APPD
G	14	F1	REVISED PER ECO-11-004587		11MAR11	RK	HMR



AMP WIRE RANGE 22-16 AWG SOLID OR STRANDED	E13288 Listed 22-16 AWG SOLID OR STRANDED
LR7189 Certified 22-16 AWG SOLID OR STRANDED	MILITARY P/N AND CLASS NOT APPLICABLE

- △ STAMP AMP 22-18* APPROX AS SHOWN
22-16 TERMINALS ARE STAMPED 22-18 IN
ACCORDANCE WITH MILITARY SPECIFICATION
MIL-T-7928; COMMERCIAL WIRE RANGE IS 22-16
- △ 0.00254 [0.000100] MIN TIN PER ASTM B-545
- △ CLEANED, UNPLATED



**AMP INCORPORATED
 CUSTOMER SERVICE SYSTEMS**

FOR ADDITIONAL PRODUCT INFORMATION OR COPIES OF DRAWINGS AND TECHNICAL DOCUMENTS	PRODUCT INFORMATION CENTER 1-800-522-6752
FOR APPLICATION TOOLING INFORMATION	TOOLING ASSISTANCE CENTER 1-800-722-1111
FOR ORDER ENTRY	1-800-526-5142

MAX RECOMMENDED OPERATING
TEMPERATURE:
170° C MAX

VOLTAGE RATING:
NOT APPLICABLE

WIRE CROSS SECTIONAL AREA RANGE:
0.26-1.65mm² [509-3,260] CIR MILS
SOLID OR STRANDED

THIS DRAWING IS A CONTROLLED DOCUMENT FOR
AMP INCORPORATED. IT IS SUBJECT TO CHANGE
AND THE CONTROLLING ENGINEERING ORGANIZATION
SHOULD BE CONTACTED FOR THE LATEST REVISION.

△	-	LOOSE PIECE	34105-3
△	100	LOOSE PIECE, BOX	8-34105-1
△	5000	ON TAPE	2-34105-2
△	-	LOOSE PIECE	34105
FINISH	QUANTITY	PACKAGING TYPE	PART NO

THIS DRAWING IS A CONTROLLED DOCUMENT.		BY TA BRINKMAN 3-10-93		TE Connectivity
DIMENSIONS: mm [INCHES]		CHK DA PATTERSON 3-10-93		NAME
TO DIMENSIONS UNLESS OTHERWISE SPECIFIED:		APPD JL MECKLEY 3-10-93	PRODUCT SPEC	APPLICATION SPEC
MATERIAL: COPPER PER	FINISH: -	WEIGHT: -	SIZE A2	CAGE CODE 00779
CUSTOMER DRAWING			DRAWING NO 34105	RESTRICTED TO -
			SCALE 10:1	SHEET 1 of 1

1471-9 (3/11)