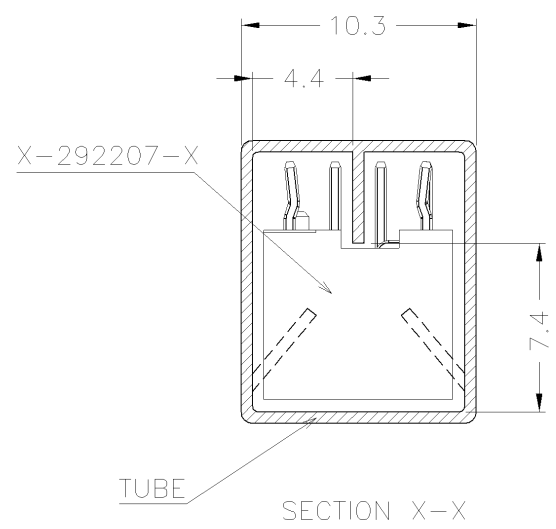
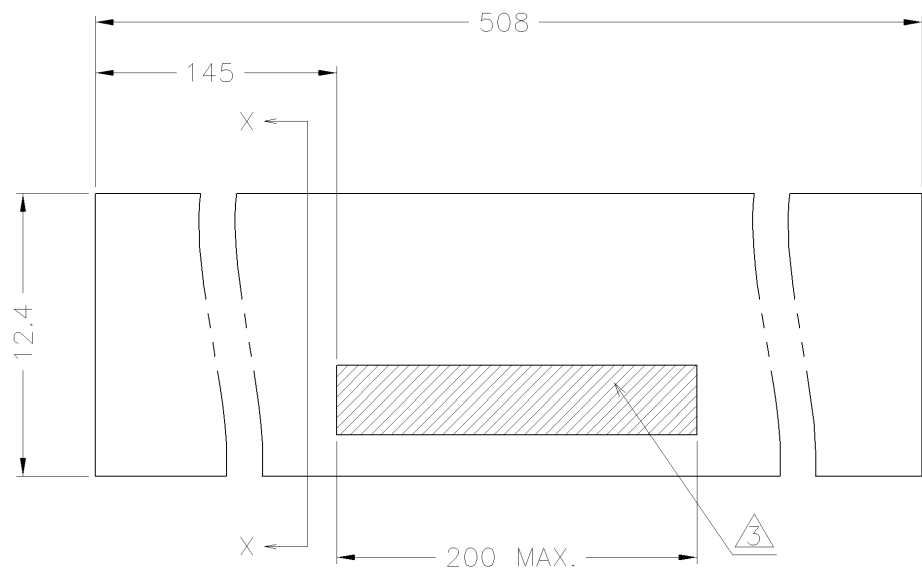


THIS DRAWING IS UNPUBLISHED. RELEASED FOR PUBLICATION  
 © COPYRIGHT BY TYCO ELECTRONICS CORPORATION. ALL RIGHTS RESERVED.

LOC	DIST	REVISIONS			
P	LTR	DESCRIPTION	DATE	DWN	APVD
ES	00	A	RELEASED ECR-07-012987	01JUN07	C.Z S.Y



THIS DRAWING IS A CONTROLLED DOCUMENT.		DWN C.ZHU 01FEB07	 Tyco Electronics Corporation Shanghai, P.R.China, 200233
DIMENSIONS: mm		DRW S.YAO 01FEB07	
		APVD S.YAO 01FEB07	
TOLERANCES UNLESS OTHERWISE SPECIFIED: 0 PLC ± - 1 PLC ± - 2 PLC ± - 3 PLC ± - 4 PLC ± - ANGLES ± -		PRODUCT SPEC 108-60018 APPLICATION SPEC -	NAME TUBE PACKING AMP MINI CT CONN. DBL ROW POST HDR ASS'Y (BOX-V DIP WITH KINK)
MATERIAL	FINISH	WEIGHT	SIZE A3 CAGE CODE 000779 DRAWING NO C=292487 RESTRICTED TO -
-		CUSTOMER DRAWING SCALE 1:1 SHEET 1 OF 2 REV A	

AMP 1470-19 REV 31MAR2003



4 3 2 1

THIS DRAWING IS UNPUBLISHED. RELEASED FOR PUBLICATION  
 © COPYRIGHT BY TYCO ELECTRONICS CORPORATION. ALL RIGHTS RESERVED.

LOC	DIST	REVISIONS					
ES	00	P	LTR	DESCRIPTION	DATE	DWN	APVD
		-		SEE SHEET 1	-	-	-

TUBE PACKING AMP MINI CT CONN. DBL ROW POST HDR ASS'Y (BOX-V DIP WITH KINK)					NATURE	TUBE PACKING AMP MINI CT CONN. DBL ROW POST HDR ASS'Y (BOX-V DIP WITH KINK)					BLACK
NAME	POS	IN TUBE P/N	QTY'S	MINI CT POST HDR ASS'Y (BOX-V DIP) WITH KINK		NAME	POS	IN TUBE P/N	QTY'S	MINI CT POST HDR ASS'Y (BOX-V DIP) WITH KINK	
40		4-292487-0	13	4-292208-0		40		6-292487-0	13	6-292208-0	
38		3-292487-8	14	3-292208-8		38		5-292487-8	14	5-292208-8	
36		3-292487-6	15	3-292208-6		36		5-292487-6	15	5-292208-6	
34		3-292487-4	15	3-292208-4		34		5-292487-4	15	5-292208-4	
32		3-292487-2	16	3-292208-2		32		5-292487-2	16	5-292208-2	
30		3-292487-0	17	3-292208-0		30		5-292487-0	17	5-292208-0	
28		2-292487-8	18	2-292208-8		28		4-292487-8	18	4-292208-8	
26		2-292487-6	19	2-292208-6		26		4-292487-6	19	4-292208-6	
24		2-292487-4	20	2-292208-4		24		4-292487-4	20	4-292208-4	
22		2-292487-2	22	2-292208-2		22		4-292487-2	22	4-292208-2	

- NOTES:  
 1. TUBE P/N 97131-1  
 2. THIS PRODUCT IS IN TUBE PACKING OF P/N 292208  
 3. PART NOS, PRODUCT DESCRIPTION, COMPANY NAME.  
 4. TUBE THICKNESS: 0.5mm

THIS DRAWING IS A CONTROLLED DOCUMENT.		DWN C.ZHU 01FEB07	 Tyco Electronics Corporation Shanghai, P.R.China, 200233
DIMENSIONS: mm		DR S.YAO 01FEB07	
		APVD S.YAO 01FEB07	
TOLERANCES UNLESS OTHERWISE SPECIFIED: 0 PLC ± - 1 PLC ± - 2 PLC ± - 3 PLC ± - 4 PLC ± - ANGLES ± -		PRODUCT SPEC 108-60018	NAME TUBE PACKING AMP MINI CT CONN. DBL ROW POST HDR ASS'Y (BOX-V DIP WITH KINK)
MATERIAL		APPLICATION SPEC	RESTRICTED TO
FINISH		WEIGHT	SIZE A3
		CUSTOMER DRAWING	CAGE CODE 00779
			DRAWING NO C=292487
			SCALE 1:1
			SHEET 2 OF 2
			REV A