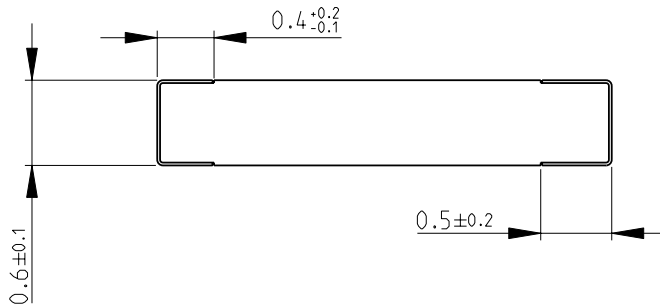
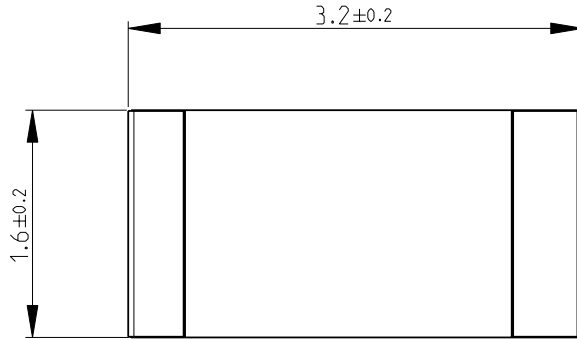
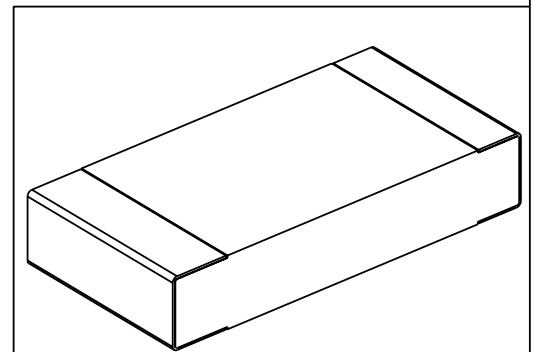


LOC	DIST	REVISIONS					
E	B	P	LTR	DESCRIPTION	DATE	DWN	APVD
			BA	NEW RELEASE			05MAY2010

FOR FURTHER INFORMATION SEE DATA SHEET FOR
RP73 SERIES-SMD HIGH POWER PRECISION RESISTORS



RoHS Compliant



2008

RELEASED FOR PUBLICATION

BY TYCO ELECTRONICS CORPORATION. ALL RIGHTS RESERVED.

© COPYRIGHT 2008

THIS DRAWING IS UNPUBLISHED.

DIMENSIONS: mm		DWN PARUSURAM.T 05MAY2010	MATERIAL -		FINISH -		
TOLERANCES UNLESS OTHERWISE SPECIFIED: 0 PLC ±0.2 1 PLC ±0.1 2 PLC ± 3 PLC ± 4 PLC ± ANGLES ±5°		CHK SUBHASH.M 05MAY2010	Tyco Electronics Corporation Dorcan, Swindon, SN3 5HH				
		APVD STEPHEN.P 05MAY2010					
		PRODUCT SPEC -	NAME SMD HIGH POWER PRECISION RESISTORS SERIES RP73 - 2B				
		APPLICATION SPEC -	SIZE A 4	CAGE CODE 00779	DRAWING NO C= 1879266	RESTRICTED TO -	
		WEIGHT -	CUSTOMER DRAWING			SCALE 20:1	SHEET 1 OF 1
				REV BA			