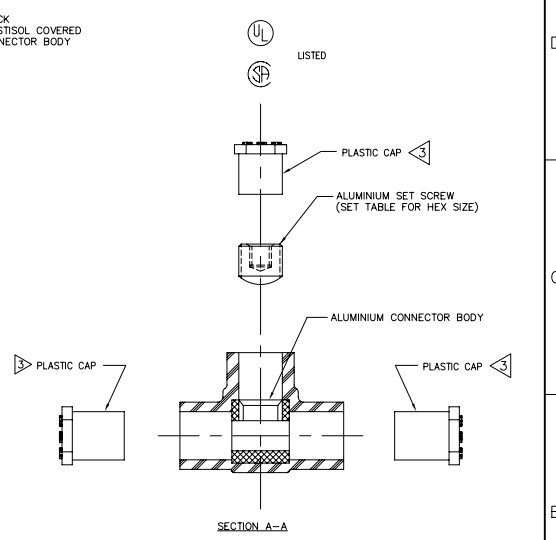
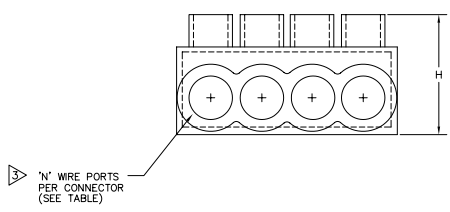
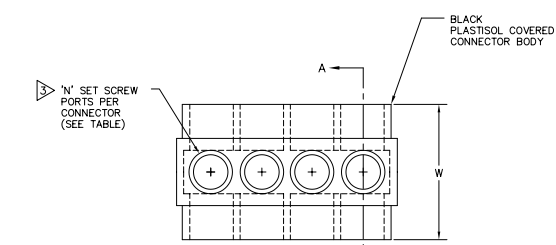


DRAWING NO. SD214514						
CATALOG NO.	WIRE RANGE (AWG/kcmil)	L	W	H	HEX KEY	N
1PLD600-2	#4-600	2.72 [69]	3.00 [76]	2.75 [70]	3/8	2
1PLD600-3	#4-600	4.00 [102]	3.00 [76]	2.75 [70]	3/8	3
1PLD600-4	#4-600	5.28 [134]	3.00 [76]	2.75 [70]	3/8	4
1PLD600-5	#4-600	6.56 [167]	3.00 [76]	2.75 [70]	3/8	5
1PLD600-6	#4-600	7.84 [199]	3.00 [76]	2.75 [70]	3/8	6
1PLD600-8	#4-600	10.40 [264]	3.00 [76]	2.75 [70]	3/8	8
1PLD600-10	#4-600	12.97 [329]	3.00 [76]	2.75 [70]	3/8	10
1PLD600-12	#4-600	15.53 [394]	3.00 [76]	2.75 [70]	3/8	12

FEATURES	BENEFITS
PLASTISOL COVERED AL6061-T6 BODY	SAVES TIME, LOWERS INSTALLATION COSTS, ELIMINATES TAPING.
OXIDE-INHIBITOR IS PRE-INSTALLED	INHIBITS MOISTURE AND CONTAMINANTS FROM ENTERING THE CONTACT AREA.
RANGE-TAKING	REDUCES THE NUMBER OF CONNECTORS CARRIED IN INVENTORY.



TO ORDER BURNDY PRODUCTS CALL 1-800-346-4175
 MANCHESTER, NH 03109, USA
 FOR PRODUCT INFO = <http://www.fclconnect.com>

UV BLACK DISTRIBUTION CONNECTORS

ITEM NO: N/A

CAT NO: 1PLD600- SERIES (TABLE)

SCALE: N/A

DRAWN BY: D. RAJUMAR 4/24/02

CHECKED: E. HENRY 5/23/02

DES. APPROV.: G. CHIRCO 5/8/02

MFG. APPROV.: T. BONNA 7/27/02

QC APPROV.: J. BROOKER 7/5/02

REV. APPROV. & DATE: 7/27/02

PROD. FAN: --

PROJECT #: --

DESIGN: --

DOCUMENT: TRK Specs

REV. LEVEL: AutoCAD

DRAWING NO: SD214514

REV: PL DB

SHEET 6 of 13

- NOTES:
- THIS DRAWING TO BE INTERPRETED PER ANSI Y14.5M.
 - CONNECTORS ARE SUPPLIED INDIVIDUALLY LABELED. LABEL INFORMATION INCLUDES CATALOG NUMBER, AND BARCODE.
 - END CAPS INSTALLED ON WIRE PORTS AND SET SCREW PORTS.
 - ALL CONNECTORS UL LISTED, CSA CERTIFIED FOR AL9CU, 90°C APPLICATIONS, UNLESS OTHERWISE NOTED.
 - DIMENSIONS IN BRACKETS [] ARE IN MILLIMETERS ROUNDED OFF TO THE NEAREST MILLIMETER, UNLESS OTHERWISE NOTED, AND ARE FOR REFERENCE ONLY.
 - UV RATED INSULATION MATERIAL.