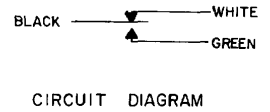


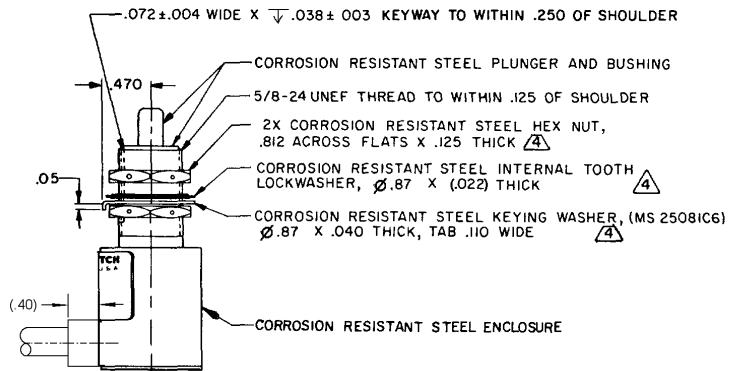
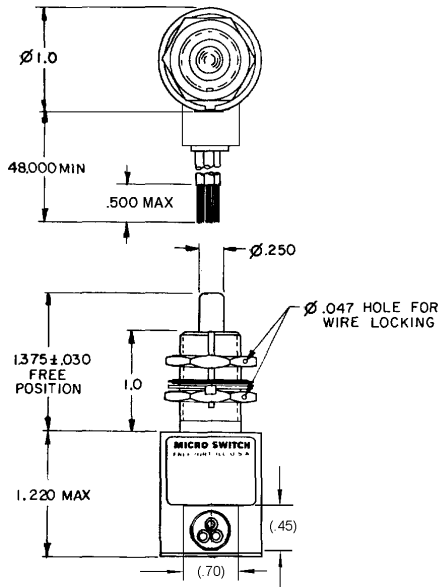
MICRO SWITCH
 FREEPORT ILLINOIS U.S.A
 A DIVISION OF HONEYWELL
 FED MFG CODE 91299

SWITCH - ENCLOSED

CATALOG LISTING
1 CH28-4



1 CH28-4
 PAGE 1 OF 1
 DRAWING NUMBER
 ISSUE
 REVISIONS
 A PR-8254
 B NOV 79
 C 007373
 D 0063269
 E 007101
 F 007792
 G 04008
 H 0019448
 I 00735
 J 270CT05



3X CONDUCTOR CABLE TYPE SJO

ANSI Y14.5M-1982 APPLIES

NOTES

- 1 - SWITCH SEALED PER MIL-PRF-8805 SYMBOL 3
- 2 - CIRCUIT DIAGRAM, CATALOG LISTING, FED. MFG. CODE AND DATE CODE ARE SHOWN ON NAMEPLATE
- 3 WIRE LEADS COLOR CODED TO SHOW LEAD IDENTIFICATION
- 4 HARDWARE MAY BE PACKAGED UNASSEMBLED PER MIL-PRF-8805

THIS DRAWING COVERS A PROPRIETARY ITEM AND IS THE PROPERTY OF MICRO SWITCH, A DIVISION OF HONEYWELL. THIS DRAWING IS NOT TO BE COPIED OR USED WITHOUT THE APPROVAL OF MICRO SWITCH		THIRD ANGLE PROJECTION	SCALE FULL
CHARACTERISTICS		ELECTRICAL DATA	DO NOT SCALE PRINT
OPERATING FORCE-----	6 - 12 LB.	CONTACT ARRANGEMENT	TOLERANCES
FULL OVERTRAVEL FORCE-----	30 LB MAX	S P D T	APPLY TO DESIGN UNITS. CONVERSIONS ARE ONLY FOR REFERENCE UNLESS NOTED. TOLERANCES ARE:
RELEASE FORCE-----	4 LB MIN	LOAD	DW .010 .015 .020 .030 .040 .050 .060 .070 .080 .090 .100 .125 .150 .175 .200 .250 .300 .375 .450 .500 .625 .750 .875 .1.000
PRETRAVEL-----	.040 MAX	RES	FRACTIONS DECIMALS PERCENTS
DIFFERENTIAL TRAVEL-----	.020 MAX	IND	1/16 1/32 1/64 1/8 1/4 1/2 3/4 1 1 1/4 1 1/2 2 3 4 5 6 8 10 12 15 20 25 30 35 40 50 60 70 80 90 100
OVERTRAVEL-----	250 MIN	MOTOR	10 15 20 25 30 35 40 45 50 55 60 65 70 75 80 85 90 95 100
			DESIGN UNITS: S METRIC U US CUSTOMARY
			MATERIAL-COMMERCIAL STANDARD MICRO SWITCH STANDARD APPLY
			UNIONS ARE TO BE MET BEFORE PROTECTIVE COATINGS ARE APPLIED
			WEIGHT 10 OZ MAX