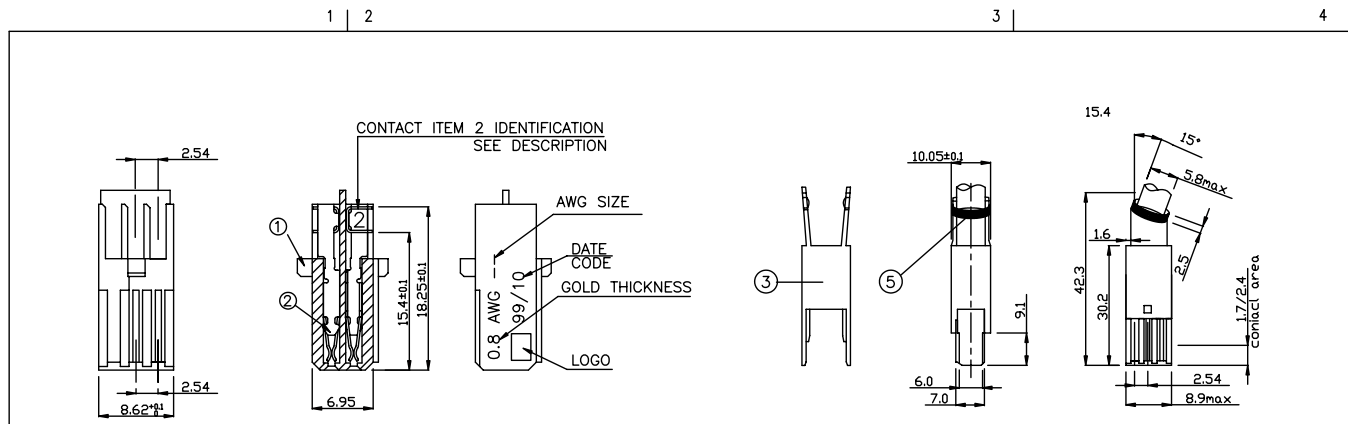


Tous droits strictement réservés. Reproduction ou communication à des tiers
interdite sous quelque forme que ce soit sans autorisation écrite du propriétaire.
Propriété de c FCI. Droits de reproduction FCI.

FCI

All rights strictly reserved. Reproduction or issue to third parties in any
form whatever is not permitted without written authority from the proprietor.
Property of FCI. Copyright FCI.



NOTES:
1. MATERIAL:
HOOD: THERMAL PLATIC UL94V0;
BODY: GLASSFIBER REINFORCED THERMAL PLASTIC UL94V0;
CONTACTS: PHOSPHOR BRONZE;
PLATING: GOLD OVER 2um NICKEL ON WORKING AREA.
2. MECHANICAL REQUIREMENT:
INSERTION FORCE (EACH CONTACT): <= 1N;
WITHDRAWAL FORCE (EACH CONTACT): >= 0.19N;
DURABILITY: >= 100 CYCLES.
3. ELECTRICAL REQUIREMENT:
INITIAL CONTACT RESISTANCE: <= 20 MILLIOHM;
INSULATION RESISTANCE AFTER TEST: >= 10000 MEGAOHM;
WITHSTANDING VOLTAGE: > 1000 Vrms;
OPERATING VOLTAGE: 250 VAC;
OPERATING CURRENT: 1.3A AT 70 DEGREE.
4. IF LEAD FREE P/N, GS-14-920 SHOULD BE APPLIED.
5. THIS PRODUCT MEETS EUROPEAN UNION DIRECTIVES AND OTHER COUNTRY REGULATIONS AS DESCRIBED IN GS-22-008.

PART NUMBER	PLATING CODE & GOLD THICKNESS			E9 Au:1u		Z4 or Z6 Au:0.8u		DESCRIPTION	DRAWING
	1AB000490021(LF)	BPS1B0600CZ26(LF)	1AB000490025(LF)	BPS1B0602CZ26(LF)	1AB000490022(LF)	BPS1B0603CZ26(LF)			
5	HPTE1587							PLASTIC CABLE CLAMP	
	HPTE1586							CABLE CLAMP #7.2	VAW19067
4	HPTE1585/A							CABLE CLAMP #12.5	VAW19066
	HPTE1585							CROSSHEADED SCREW	VAW21269
								OR SLOTTED SCREW	VAW19065
3	BPBS1806P4			1	1	1		CABLE HOOD	VTW10918
	BPCD3P2--(LF)					6		CONTACT FOR AWG24 (IDENTIFICATION-3)	
2	BPCD2P2--(LF)					6		CONTACT FOR AWG26 (IDENTIFICATION-2)	VTW10916
	BPCD0P2--(LF)					6		CONTACT FOR AWG30 (IDENTIFICATION-0)	
1	BPBS1806P9					1		BODY FOR AWG30 (COLOR=WHITE)	
	BPBS1806P8					1		BODY FOR AWG26 (COLOR=BLACK)	VRW11170
	BPBS1806P1					1		BODY FOR AWG24 (COLOR=GREY)	
ITEM CATALOG N°	QTY. FOR COMPLETE ASS'Y						DESCRIPTION		DRAWING

mat'l. code 14				tolerances unless otherwise specified		CUSTOMER COPY	FCI www.fciconnect.com
ltr	ecn no	dr	date	linear	.X ± 0.5 .XX ± 0.30	projection	
A	F03021	DLE	01/29/03	angles	± 2°		title
B	N05-0223	AILEI	09/05/05	dr	D LEGRAND 01/29/03		MM
				enrg	F TISSERAND 01/29/03		product family
				chr	JF NOTTIEAU 01/29/03	scale	DIN
				appd	F. TI 01/29/03	1:1	size
sheet	revision	B					dwg no
index	sheet	1					A4
							VJW12163
							sheet
							1 of 1

PDM: Rev: B STATUS: Released 2.6 Printed: Jul 25, 2014