

4

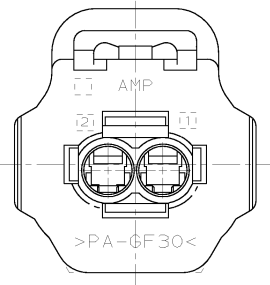
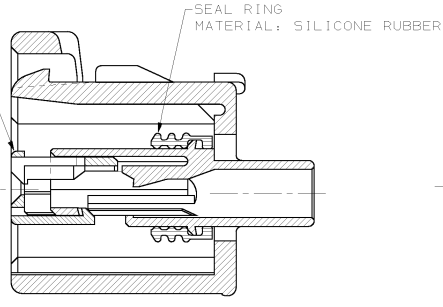
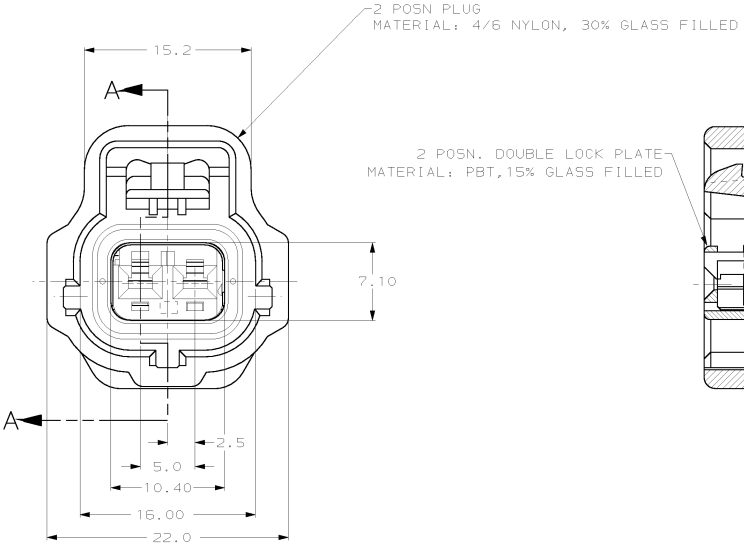
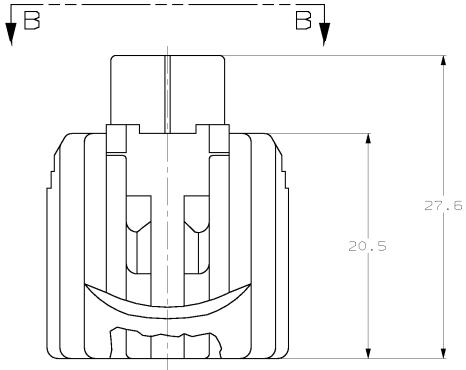
3

2

1

THIS DRAWING IS UNPUBLISHED. RELEASED FOR PUBLICATION. (C) COPYRIGHT IS BY AMP INCORPORATED. ALL RIGHTS RESERVED.

REVOLUTION		REVISIONS			
REV	QTY	DESCRIPTION	DATE	BY	APP'D
G	16				
0		RELEASED, WAS 95-4072-99-2	-	-	-
A		REV PER ECN OK50-0003-96	08/14/96	KW	JK
B		REV PER EC# OK40-0140-00	7-10-00	PC	GI



SECTION A-A

VIEW B-B

KEYING TYPE B

BLACK PLUG COLOR		184214-1 PART NO.	
AMP Incorporated Harrisburg, PA 17105-3608		AMP Incorporated Harrisburg, PA 17105-3608	
1 X 2 PLG ASY KEY B-C4			
SIZE	DATE CODE	MARKING NO.	
A2	00779	©=184214	
CUSTOMER DRAWING		SCALE	SHEET 1 OF 1 REV B

AMP 1471-9 REV 10/93
06 SEP 1996 13:31:55 AMP330844J51284-OEPT1135-U, SENGOR-U, 2POSN-U, ASSY-U, OUST-U, REV

184214

A