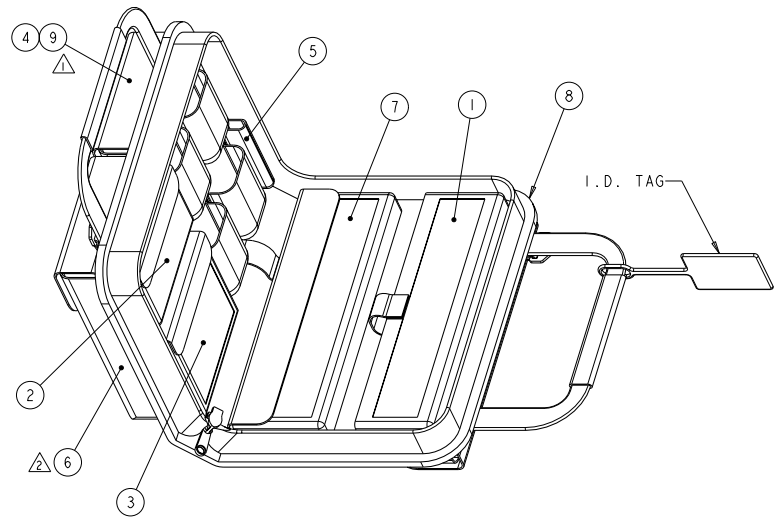


THIS DRAWING IS UNPUBLISHED. RELEASED FOR PUBLICATION
 BY TYCO ELECTRONICS CORPORATION. ALL RIGHTS RESERVED.

REV	DATE	BY	CHKD	APPROV
B	17MAY2006	BB	DK	
C	28AUG2008	BB	DK	
D	09JAN2009	BB	DK	



△ INSTRUCTION SHEETS AND MANUFACTURER'S INSTRUCTION SHEETS.
 △ OPTIONAL SHOULDER STRAP.

QTY	UNIT	PART NUMBER	DESCRIPTION	ITEM NO.
1	1	2064710-1	FIBER OPTICS CLEANING & INSPECTION GUIDE	9
1	1	1278540-1	PREMIUM SOFTCASE	8
1	-	1754767-1	200x MICROSCOPE	7
1	1	1871696-1	FIBER CLEAVER, SLIDE CUTTER	6
2	2	1278422-1	OPEN END WRENCH	5
1	1	1374503-1	CD ROM, TERMINATION TRAINING	4
1	1	492703-1	CABLE/BUFFER HOLDER, ST	3
1	1	492622-1	ST DIESET	2
1	1	1976850-2	PROCRIMPER FRAME	1
-2	-1	PART NUMBER	DESCRIPTION	ITEM NO.

DIMENSIONS: mm 	TO DIMENSIONS UNLESS OTHERWISE SPECIFIED. DIMENSIONS IN PARENTHESES ARE FOR REFERENCE ONLY. DIMENSIONS IN PARENTHESES ARE FOR THE LOCAL MARKET.	DWG: B. BRIGGS 17MAY2006 CHK: D. A. RIRSCH 17MAY2006 APP'D: S. BUCHTER 17MAY2006 PRODUCT SPEC: APPLICATION SPEC: WEIGHT: MATERIAL: - FINISH: -	Tyco Electronics Harrisburg, PA 17105-3608 ADAPTIVE, TERMINATION KIT, LightCrimp Plus ST SHEET CASE CODE DRAWING NO: A200779 ©-1754738 CUSTOMER DRAWING SCALE NTS SHEET 1 OF 1 REV D	RESTRICTED TO: -
-----------------------	---	---	---	------------------