

4

3

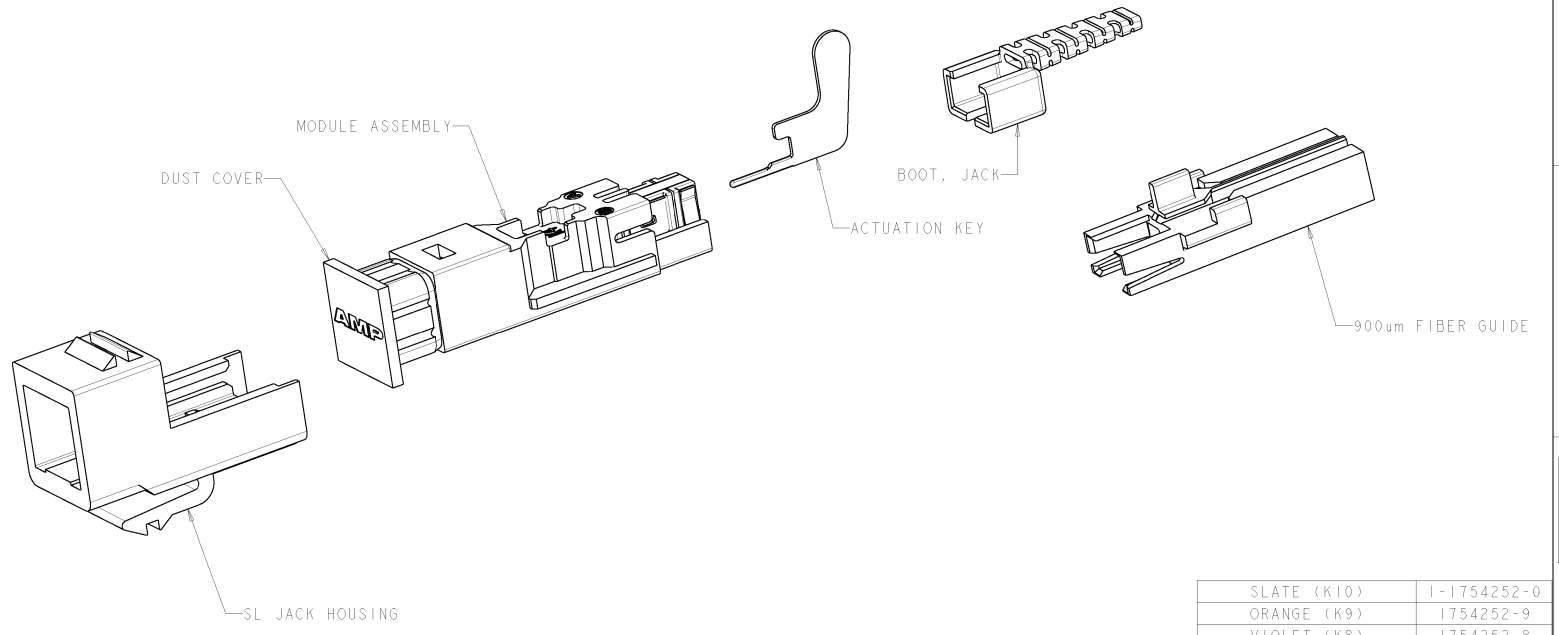
2

1

THIS DRAWING IS UNPUBLISHED. RELEASED FOR PUBLICATION BY TICO ELECTRONICS CORPORATION. ALL RIGHTS RESERVED. (C) COPYRIGHT 19

REV	DATE	BY	CHKD	DESCRIPTION
1	19JAN2004	BB	DR	REL PER 04-208
A	25AUG2004	BB	DK	RELEASE PER 0A00-0435-04
B	18JAN2005	BB	DK	REVISE PER 0A00-0631-04

1. INSURE THAT THE WALL BOX IS AT LEAST 50.8mm (2.0 INCHES) DEEP, WHEN INSTALLING MT-RJ WORKSTATION JACK KIT.



DESCRIPTION	PART NUMBER
SLATE (K10)	1-1754252-0
ORANGE (K9)	1754252-9
VIOLET (K8)	1754252-8
BROWN (K7)	1754252-7
AQUA (K6)	1754252-6
ROSE (K5)	1754252-5
BLUE (K4)	1754252-4
GREEN (K3)	1754252-3
YELLOW (K2)	1754252-2
RED (K1)	1754252-1

DIMENSIONS: mm 		DWG: B. BRIGGS 19JAN2004 CHK: D. ROHDE 19JAN2004 APP: B. EDWARDS 19JAN2004 DATE: 19JAN2004 DRAWN: B. EDWARDS	AMP Incorporated Harrisburg, PA 17105-3608
MATERIAL: - FINISH: -		PRODUCT SPEC: - APPLICATION SPEC: - WEIGHT: - CUSTOMER DRAWING	MT-RJ SECURE WORKSTATION JACK KIT, XG, 50/125, 900um SIZE: A2 CASE CODE: 100779 DRAWING NO: 1754252 SCALE: 3:1 SHEET 1 OF 1 REV B