

REV	DATE	BY	CHKD	DESCRIPTION
1				REVISIONS
1				REVISIONS
1				REVISIONS

- NOTES:
- MATERIAL:
HOUSING: HIGH TEMP THERMOPLASTIC, UL94V-0, COLOR: BLACK
CONTACT: COPPER ALLOY
BOARDLOCK: COPPER ALLOY
ME NUT: STEEL
 - FINISH:
CONTACT MATING AREA: GOLD PLATING OR GOLD FLASH OVER
PALLADIUM-NICKEL (SEE TABLE FOR THICKNESS)
CONTACT SOLDER TAIL: MIN 2.54um MATTE TIN PLATING
BOARDLOCK: MIN 2.54um MATTE TIN PLATING
UNDERPLATE: MIN 1.27um NICKEL PLATING ALL OVER
 - PIN #P3 AND #P4 ONLY
4. PLASTIC REEL: 320 COMPONENTS/REEL

TAPE & REEL	GOLD FLASH ONLY	1735492-3
	0.38um	1735492-2
	0.76um	1735492-1
PACKAGING	AU OR PD-NI THICKNESS	PART NUMBER

DIMENSIONS:	TOLERANCES UNLESS OTHERWISE SPECIFIED:
mm	
	0.15
	0.25
	0.50
	1.00
	1.50
	2.00
	3.00
	4.00
	5.00
	6.00
	8.00
	10.00
	12.00
	15.00
	20.00
	25.00
	30.00
	40.00
	50.00
	60.00
	80.00
	100.00

DATE: 27JUL2007	DESIGNER: LSK	DRWING NO: 1735492
CHKD: SF	DATE: 21DEC2007	CASE CODE: A2
APPD: SF	DATE: 21DEC2007	SCALE: 4:1
PRODUCT SPEC: 108-51089	WEIGHT: -	SHEET: 1 OF 2
APPLICATION SPEC: -	CUSTOMER DRAWING	REV: A1

4

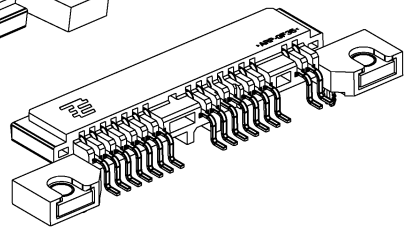
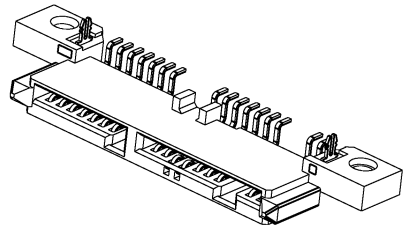
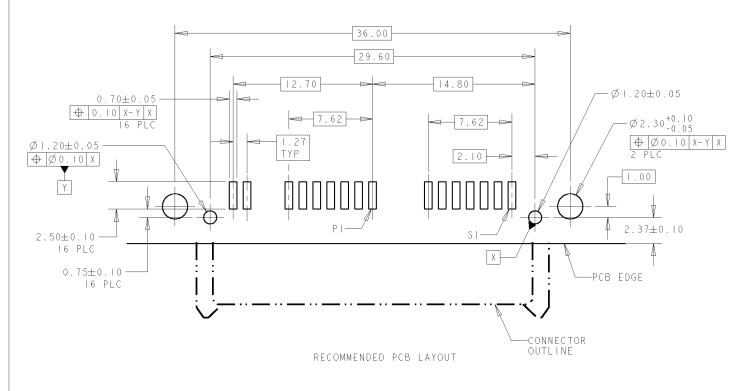
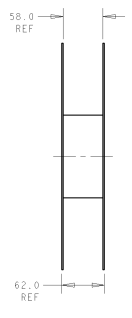
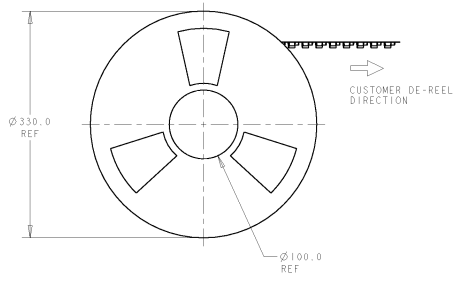
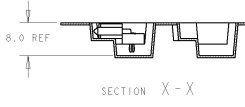
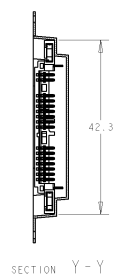
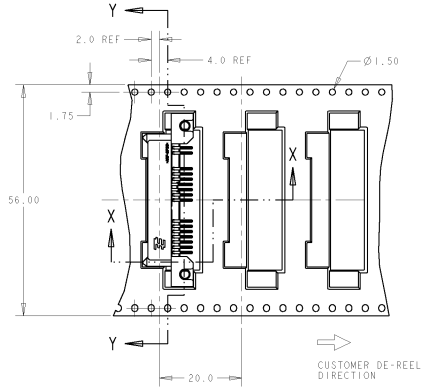
3

2

1

THIS DRAWING IS UNPUBLISHED. RELEASED FOR PUBLICATION
 (C) COPYRIGHT 14 BY AMP INCORPORATED. ALL RIGHTS RESERVED.

LOC	DIST	REV	DESCRIPTION	DATE	BY	APPD
DY	-	1	SEE SHEET 1	-	-	-



<small>THIS DRAWING IS UNPUBLISHED. RELEASED FOR PUBLICATION. ALL RIGHTS RESERVED. (C) COPYRIGHT 14 BY AMP INCORPORATED. ALL RIGHTS RESERVED.</small>		DWG: PDK LEAW 27JUL2007 CHK: SF LEONG 21DEC2007 APPD: SF LEONG 21DEC2007 PRODUCT SPEC: 108-51089 APPLICATION SPEC: - WEIGHT: - CUSTOMER DRAWING	Tyco Electronics Corporation Singapore MICRO SATA RECEPTACLE, 16P RIGHT ANGLE, SMT BOTTOM MOUNT SIZE: A2 CASE CODE: 00779 DRAWING NO: 1735492 SCALE: 4:1 SHEET 2 OF 2 REV A1
DIMENSIONS: mm	TOLERANCES UNLESS OTHERWISE SPECIFIED: Ø PLC ±0.20 H PLC ±0.20 S PLC ±0.20 ANGLES ±0°	MATERIAL: - FINISH: -	Tyco Electronics Corporation Singapore MICRO SATA RECEPTACLE, 16P RIGHT ANGLE, SMT BOTTOM MOUNT SIZE: A2 CASE CODE: 00779 DRAWING NO: 1735492 SCALE: 4:1 SHEET 2 OF 2 REV A1