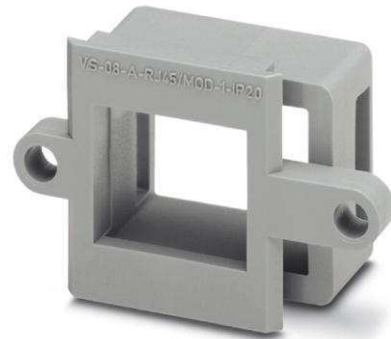


VS-08-A-RJ45/MOD-1-IP20


Order No.: 1689433

<http://eshop.phoenixcontact.de/phoenix/treeViewClick.do?UID=1689433>

RJ45 panel mounting frame, 1x, IP20, for modular socket inserts (Keystone), without mounting screws

Ethernet

**Commercial data**

GTIN (EAN)	 4 017918 910334
sales group	D510
Pack	5 pcs.
Customs tariff	85389099
Catalog page information	Page 285 (PC-2011)

Product notesWEEE/RoHS-compliant since:
10/01/2005<http://>www.download.phoenixcontact.com
Please note that the data given here has been taken from the online catalog. For comprehensive information and data, please refer to the user documentation. The General Terms and Conditions of Use apply to Internet downloads.**Technical data****Mechanical characteristics**

Number of slots	1
Color	gray
Ambient temperature (operation)	-40 °C ... 80 °C

Material data

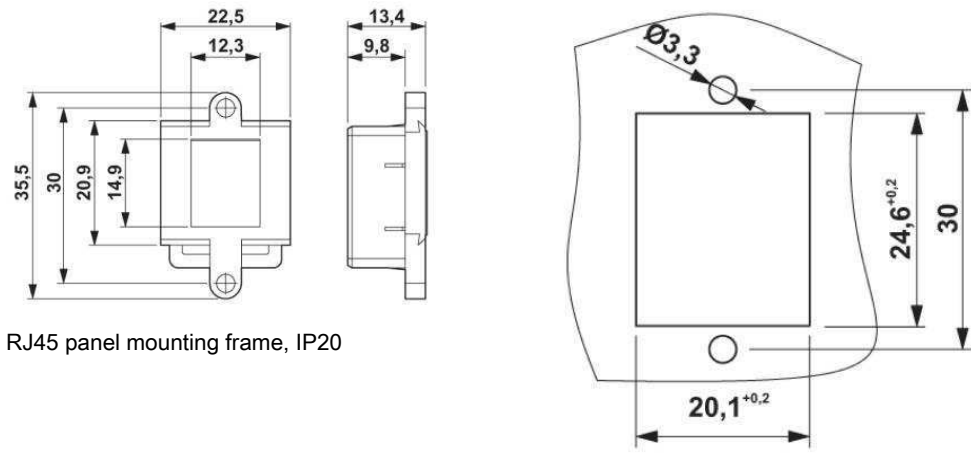
Inflammability class acc. to UL 94	V0
Housing material	PA
Material	Plastic
Degree of protection	IP20

Accessories

Item	Designation	Description
Female insert		
1653155	VS-08-BU-RJ45-6-MOD/BU	RJ45 socket insert, modular (Keystone), CAT6 (Link test), 8-position, shielded, socket on socket
1653168	VS-08-BU-RJ45-6/KA/LSA	RJ45 socket insert, modular (Keystone), CAT6, 8-pos., shielded, with cable connection (LSA), for litz and solid wires AWG 26 ... 22
1689064	VS-08-BU-RJ45/BU	RJ45 socket insert, modular (Keystone), CAT5e, 8-pos., shielded, socket on socket
1689459	VS-08-BU-RJ45/KA/LSA	RJ45 socket insert, modular (Keystone), CAT5e, 8-pos., shielded, with cable connection (LSA), for solid wires AWG 26 ... 22

Diagrams/Drawings

Dimensioned drawing



RJ45 panel mounting frame, IP20

Panel cutout

Address

PHOENIX CONTACT Inc., USA
586 Fulling Mill Road
Middletown, PA 17057, USA
Phone (800) 888-7388
Fax (717) 944-1625
<http://www.phoenixcon.com>



© 2011 Phoenix Contact
Technical modifications reserved;