


VS-15-BU-DSUB-2P-5S

Order No.: 1688230



<http://eshop.phoenixcontact.de/phoenix/treeViewClick.do?UID=1688230>

D-SUB contact insert, shell size 2, with five signal contacts with solder cup, straight, accommodation for two combined contacts, contact type socket, fixing with a 3 mm hole, for panel mounting frame and sleeve housing VS-15-...

Commercial data	
GTIN (EAN)	 4 017918 179632
sales group	D501
Pack	10 pcs.
Customs tariff	85366990
Catalog page information	Page 323 (PC-2009)

Product notes

WEEE/RoHS-compliant since:
06/14/2006



<http://www.download.phoenixcontact.com>
Please note that the data given here has been taken from the online catalog. For comprehensive information and data, please refer to the user documentation. The General Terms and Conditions of Use apply to Internet downloads.

Technical data	
Mechanical characteristics	
Number of positions	7
Insertion/withdrawal cycles	≥ 200
Type of connection	Solder cup
Conductor cross-section	0.5 mm ²
Connection cross-section AWG	20

Insertion force per signal contact	≤ 3.40 N
Extraction force per signal contact	≥ 0.2 N
Ambient temperature (operation)	-55 °C ... 125 °C

Material data

Inflammability class acc. to UL 94	V0
Housing material	Steel, yellow chromated
Contact carrier material	PBTP
Contact material	Copper alloy
Contact surface material	Gold over nickel

Electrical characteristics

Rated voltage (III/3)	250 V
Rated surge voltage	1 kV
Rated current	5 A
Contact resistance per contact pair	≤ 2.7 mΩ
Insulation resistance	≥ 5 GΩ

Accessories

Item	Designation	Description
Contacts		
1655535	VS-BU-KX-50-RG174	Coaxial contact, for D-SUB combination inserts, solder cup, socket, straight, for cable RG 174, gold-plated
1655496	VS-BU-KX-50-RG178	Coaxial contact, for D-SUB combination inserts, solder cup, socket, straight, for cable RG -178, gold-plated
1655577	VS-BU-KX-50-RG58	Coaxial contact, for D-SUB combination inserts, solder cup, socket, straight, for cable RG 58, gold-plated
1655616	VS-BU-KX-75-RG179/187	Coaxial contact, for D-SUB combination inserts, solder cup, socket, straight, for cable RG 179/187, gold-plated
1655470	VS-BU-SC-2,6	POWER contact, for D-SUB combination inserts, screw connection, socket, straight, rated current 20 A, gold-plated

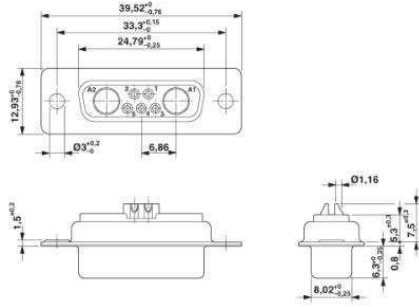
General

1688256	VS-BU-LK-3,6/22,8/2,6	Power contacts, for D-SUB combination inserts, socket, solder cup, straight, rated current 20 A, gold-plated
1688272	VS-BU-LK-3,6/22,8/4,6	Power contacts, for D-SUB combination inserts, socket, solder cup, straight, rated current 40 A, gold-plated

Diagrams/Drawings

Dimensioned drawing

D-SUB contact insert



Address

PHOENIX CONTACT Deutschland GmbH
Flachsmarktstr. 8
32825 Blomberg, Germany
Phone +49 5235 3 12000
Fax +49 5235 3 41200
<http://www.phoenixcontact.de>



© 2011 Phoenix Contact
Technical modifications reserved;