


VS-PP-PN-R-1XRJ45/5-SC

Order No.: 1658587

<http://eshop.phoenixcontact.de/phoenix/treeViewClick.do?UID=1658587>

Patch panel for PROFINET, RJ45, DIN rail mounting, IP20, one slot,
screw connection, CAT5e, shielding over jumper can be selected

**Commercial data**

GTIN (EAN)	 4 046356 162951
sales group	D512
Pack	1 pcs.
Customs tariff	85369010
Catalog page information	Page 231 (PC-2009)

Product notes

WEEE/RoHS-compliant since:
03/04/2007



<http://www.download.phoenixcontact.com>
Please note that the data given here has been taken from the online catalog. For comprehensive information and data, please refer to the user documentation. The General Terms and Conditions of Use apply to Internet downloads.

Technical data**Mechanical characteristics**

Number of positions	4
Number of slots	1
Insertion/withdrawal cycles	≥ 200
Connection method	Screw connection

Conductor cross-section	0.14 mm ² ... 0.5 mm ²
Connection cross-section AWG	26 ... 20
External cable diameter	5 mm ... 8.5 mm
Color	green
Ambient temperature (operation)	0 °C ... 70 °C

Material data

Inflammability class acc. to UL 94	V0
Housing material	PC
Contact carrier material	PBT
Contact material	Copper alloy
Contact surface material	Gold over nickel
Degree of protection	IP20

Electrical characteristics

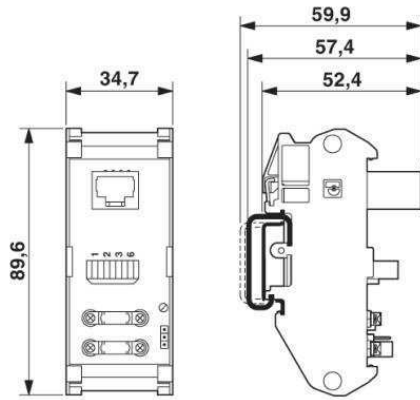
Number of positions	4
Transmission characteristics (category)	CAT5 (IEC 11801:2002), CAT5e (TIA 568B:2001)
Rated current	1 A

Accessories

Item	Designation	Description
Tools		
1657407	VS-CABLE-STRIP-VARIO	Stripping tool, for the multi-level stripping of shielded cables

Diagrams/Drawings

Dimensioned drawing



RJ45 patch panel

Address

PHOENIX CONTACT Inc., USA
586 Fulling Mill Road
Middletown, PA 17057, USA
Phone (800) 888-7388
Fax (717) 944-1625
<http://www.phoenixcon.com>



© 2011 Phoenix Contact
Technical modifications reserved;