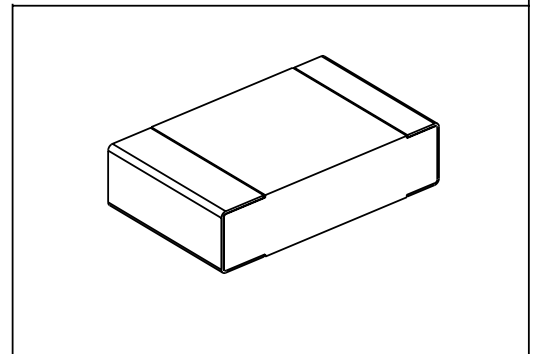
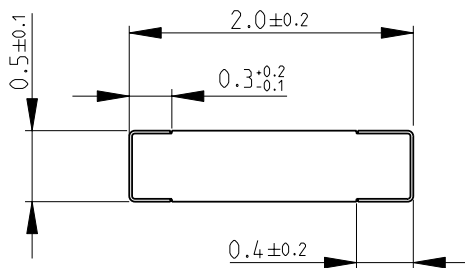


LOC	DIST	REVISIONS				
P	LTR	DESCRIPTION	DATE	DWN	APVD	
E	B	BA	NEW RELEASE	23APR2010	PT	St.P

FOR FURTHER INFORMATION SEE DATA SHEET FOR
RP73 SERIES-SMD HIGH POWER PRECISION RESISTORS



RoHS Compliant


2008

RELEASED FOR PUBLICATION

BY TYCO ELECTRONICS CORPORATION. ALL RIGHTS RESERVED.

© COPYRIGHT 2008

THIS DRAWING IS UNPUBLISHED.

DIMENSIONS: mm		DWN PARUSURAM.T 23APR2010	MATERIAL -		FINISH -	
TOLERANCES UNLESS OTHERWISE SPECIFIED: 0 PLC ±0.2 1 PLC ±0.1 2 PLC ± 3 PLC ± 4 PLC ± ANGLES ±5°		CHK SUBHASH.M 23APR2010	 Tyco Electronics Corporation Dorcan, Swindon, SN3 5HH			
		APVD STEPHEN.P 23APR2010				
		PRODUCT SPEC -	NAME SMD HIGH POWER PRECISION RESISTORS SERIES RP73 - 2A			
		APPLICATION SPEC -	SIZE A 4	CAGE CODE 00779	DRAWING NO C= 1625868	RESTRICTED TO -
		WEIGHT -	CUSTOMER DRAWING		SCALE 20:1	SHEET 1 OF 1 REV BA