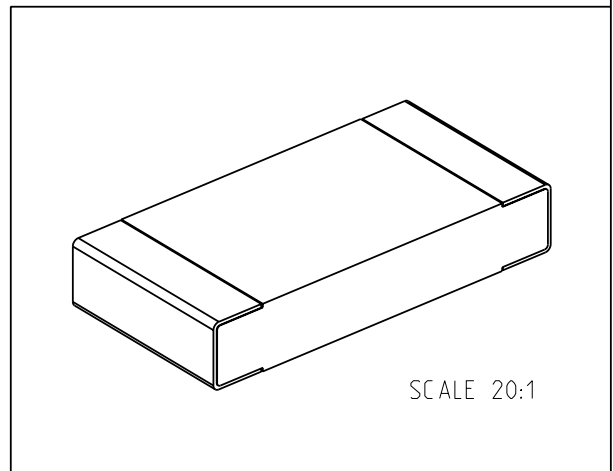
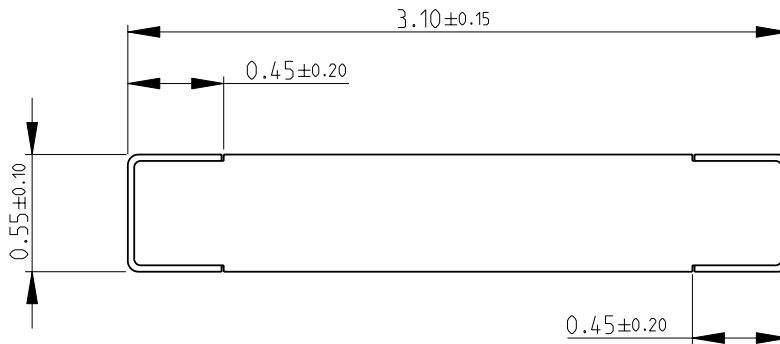
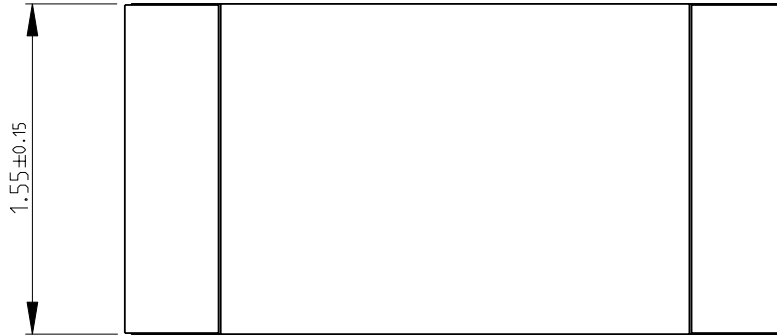


LOC	DIST	REVISIONS				
P	LTR	DESCRIPTION	DATE	DWN	APVD	
E	B	BA	NEW RELEASE	23-NOV-09	MRS	St.P

FOR FURTHER INFORMATION SEE DATA SHEET FOR
CRG SERIES-THICK FILM CHIP RESISTORS



RoHS Compliant


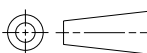
SCALE 20:1

2009

RELEASED FOR PUBLICATION

THIS DRAWING IS UNPUBLISHED.

© COPYRIGHT 2009 BY TYCO ELECTRONICS CORPORATION. ALL RIGHTS RESERVED.

DIMENSIONS: mm		DWN MAHARUDRA	23-NOV-09	MATERIAL	-	FINISH	-
TOLERANCES UNLESS OTHERWISE SPECIFIED:		CHK ALLAN.P	23-NOV-09	 Tyco Electronics Corporation Dorcan, Swindon, SN3 5HH			
		APVD STEPHEN.P	23-NOV-09				
0 PLC ±0.5		PRODUCT SPEC		NAME			
1 PLC ±0.2		-		THICK FILM CHIP RESISTORS			
2 PLC ±0.1		APPLICATION SPEC		SERIES CRG 1206			
3 PLC ±		-		SIZE	CAGE CODE	DRAWING NO	RESTRICTED TO
4 PLC ±		-		A 4	00779	© = 1623464	-
ANGLES ±5°		WEIGHT		CUSTOMER DRAWING			
		-		SCALE	30:1	SHEET	1 OF 1
				REV BA			