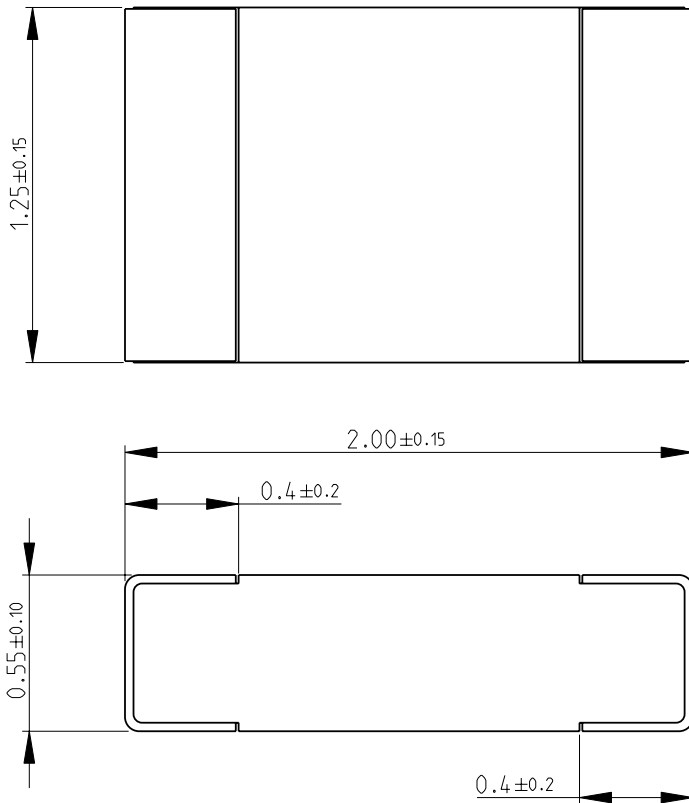
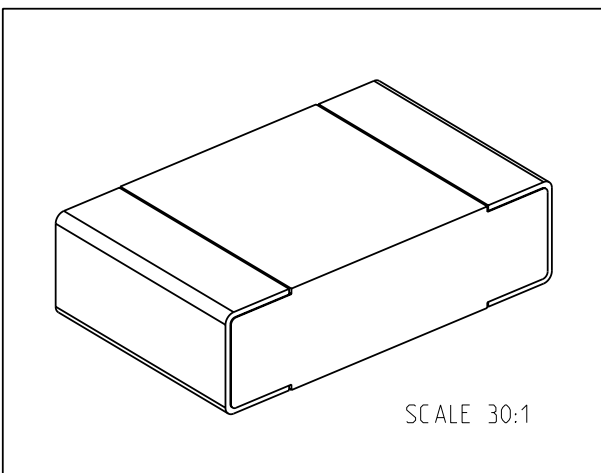


LOC	DIST	REVISIONS					
E	B	P	LTR	DESCRIPTION	DATE	DWN	APVD
			BA	NEW RELEASE	19-AUG-09	MRS	St.P

FOR FURTHER INFORMATION SEE DATA SHEET FOR
CRG SERIES-THICK FILM CHIP RESISTORS



RoHS Compliant



2009

RELEASED FOR PUBLICATION

THIS DRAWING IS UNPUBLISHED.

© COPYRIGHT 2009 BY TYCO ELECTRONICS CORPORATION. ALL RIGHTS RESERVED.

DIMENSIONS: mm	DWN	SWAMY.M.R	19-AUG-09	MATERIAL	-	FINISH	-
	CHK	ALLAN.P	19-AUG-09	Tyco Electronics Corporation Dorcan, Swindon, SN3 5HH			
TOLERANCES UNLESS OTHERWISE SPECIFIED:	APVD	STEPHEN.P	19-AUG-09				
0 PLC ±0.5	PRODUCT SPEC			NAME			
1 PLC ±0.2	-			THICK FILM CHIP RESISTORS			
2 PLC ±0.1	APPLICATION SPEC			SERIES CRG 0805			
3 PLC ±-	-			SIZE	CAGE CODE	DRAWING NO	RESTRICTED TO
4 PLC ±-	-			A 4	00779	©= 1623309	-
ANGLES ±5°	WEIGHT			CUSTOMER DRAWING			
			SCALE		40:1	SHEET	1 OF 1
			REV		BA		