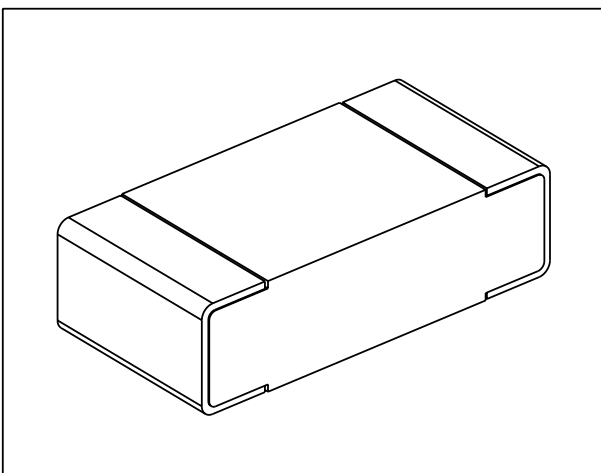
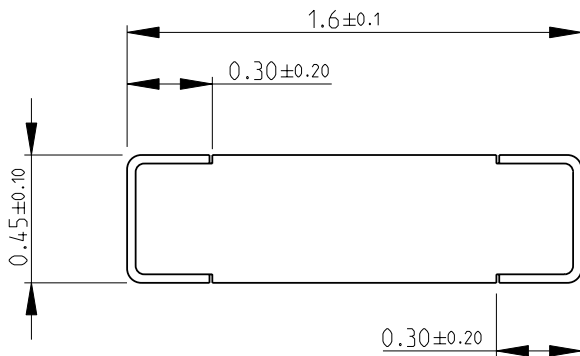
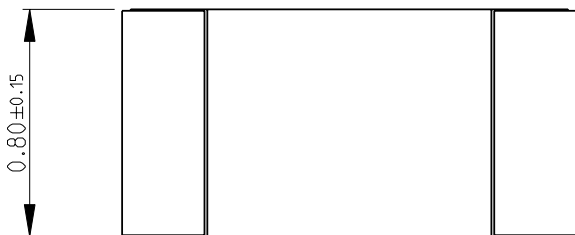


LOC	DIST	REVISIONS				
P	LTR	DESCRIPTION	DATE	DWN	APVD	
E	B	BA	NEW RELEASE	04-NOV-08	SM	St.P

FOR FURTHER INFORMATION SEE DATA SHEET FOR
CRG SERIES-THICK FILM CHIP RESISTORS



RoHS Compliant

2008

RELEASED FOR PUBLICATION

THIS DRAWING IS UNPUBLISHED.

© COPYRIGHT 2008 BY TYCO ELECTRONICS CORPORATION. ALL RIGHTS RESERVED.

DIMENSIONS: mm	DWN	SUBHASH.M	04-NOV-08	MATERIAL	-	FINISH	-
	CHK	PRAKASH.S	04-NOV-08	Tyco Electronics Dorcan, Swindon, SN3 5HH	THICK FILM CHIP RESISTORS SERIES CRG 0603		
TOLERANCES UNLESS OTHERWISE SPECIFIED:	APVD	STEPHEN.P	04-NOV-08				
0 PLC ±0.5	PRODUCT SPEC	-	-	NAME	THICK FILM CHIP RESISTORS SERIES CRG 0603		
1 PLC ±0.2	APPLICATION SPEC	-	-	SIZE	CAGE CODE	DRAWING NO	RESTRICTED TO
2 PLC ±0.1	-	-	-	A 4	00779	©= 1622935	-
3 PLC ±-	WEIGHT	-	-	CUSTOMER DRAWING			SCALE
4 PLC ±-	-	-	-	SCALE			40:1
ANGLES ±5°	-	-	-	SHEET			1 OF 1
	-	-	-	REV			BA