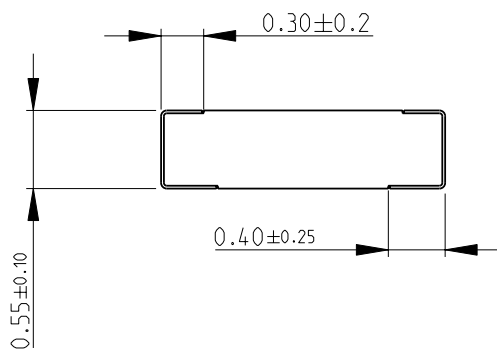
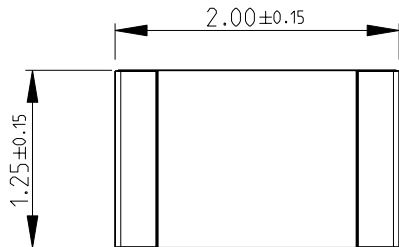
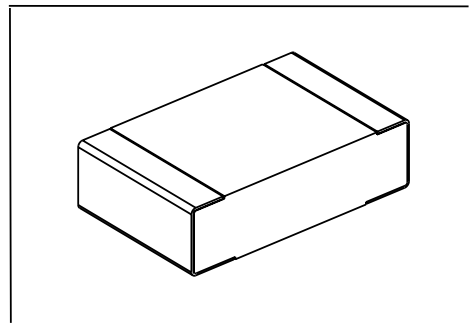
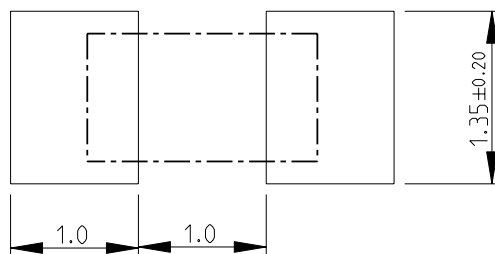


| LOC | DIST | REVISIONS | | | | |
|-----|------|-------------|-------------|------------|------|------|
| P | LTR | DESCRIPTION | DATE | DWN | APVD | |
| E | B | BB | NEW RELEASE | 13JULY2010 | PT | St.P |

FOR FURTHER INFORMATION SEE DATA SHEET FOR
RN73 SERIES-HIGH PRECISION RESISTORS (SMD)



RECOMMENDED LAND PATTERN



THIS DRAWING IS UNPUBLISHED.
 2010
 RELEASED FOR PUBLICATION
 BY TYCO ELECTRONICS CORPORATION. ALL RIGHTS RESERVED.
 COPYRIGHT 2010

| | | | | | | | |
|-------------------|---|-------------|------------|--|--|------------|---------------|
| DIMENSIONS: mm | DWN | PARUSURAM.T | 13JULY2010 | MATERIAL | - | FINISH | - |
| | TOLERANCES UNLESS OTHERWISE SPECIFIED: 0 PLC ±0.2 1 PLC ±0.1 2 PLC ± 3 PLC ± 4 PLC ± ANGLES ±5° | CHK | ALLAN.P | 13JULY2010 | Tyco Electronics Corporation Dorcan, Swindon, SN3 5HH | | |
| | APVD | STEPHEN.P | 13JULY2010 | | | | |
| | PRODUCT SPEC | - | - | NAME HIGH PRECISION RESISTORS (SMD) SERIES RN73 2A | | | |
| | APPLICATION SPEC | - | - | SIZE | CAGE CODE | DRAWING NO | RESTRICTED TO |
| | WEIGHT | - | - | A 4 | 00779 | ©= 1614730 | - |
| CUSTOMER DRAWING | | | | SCALE | 20:1 | SHEET | 1 OF 1 |
| | | | | REV BB | | | |