

4

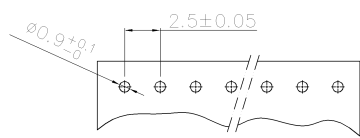
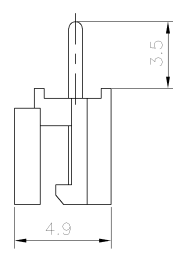
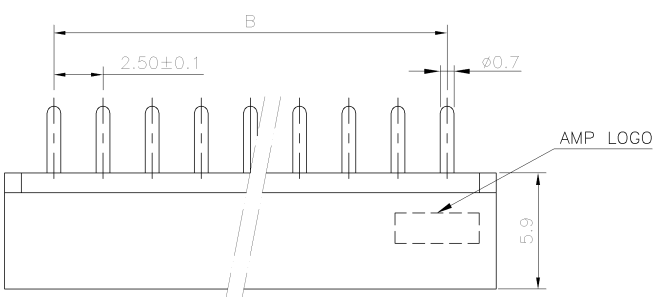
3

2

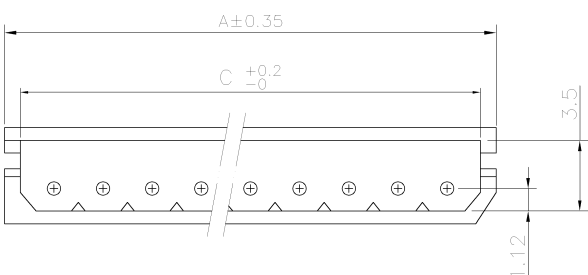
1

THIS DRAWING IS UNPUBLISHED. RELEASED FOR PUBLICATION
 © COPYRIGHT - BY - ALL RIGHTS RESERVED.

LOC	DIST	REVISIONS				
P	LTR	DESCRIPTION	DATE	DWN	APVD	
D2		REVISED PER ECO-11-005301	6APR11	RK	HMR	



RECOMMENDED PCB LAYOUT (THICKNESS: 1.6MM)
 (TOP VIEW) (TOLERANCE: ±0.05)



NOTE:

- MATERIAL:
HOUSING: PA66, UL 94V-2, COLOR: SEE TABLE.
CONTACTS: BRASS.
 - FINISH:
CONTACTS: 1.27µm [50µ"] MIN. BRIGHT-TIN ON SOLDER TAIL, WITH ENTIRE CONTACT UNDERPLATED 0.381µm [15µ"] MIN. NICKEL.
 - WAVE SOLDER CAPABLE TO 240°C PER TE Connectivity TEST SPEC. 109-202, CONDITION A.
- ⚠️ OBSOLETE PARTS: OBSOLETE CIS STREAMLINING PER D.RENAUD/D.SINISI

HSG.	COLOR	C	B	A	POS.	PART NUMBER
38.4	35.00 ±0.20	40.0	15	3	1470224-9	
35.9	32.50 ±0.20	37.5	14	3	1470224-4	
33.4	30.00 ±0.20	35.0	13	3	1470224-5	
30.9	27.50 ±0.20	32.5	12	3	1470224-2	
28.4	25.00 ±0.20	30.0	11	3	1470224-1	
25.9	22.50 ±0.15	27.5	10	3	1470224-0	
23.4	20.00 ±0.15	25.0	9	2	1470224-9	
20.9	17.50 ±0.15	22.5	8	2	1470224-8	
18.4	15.00 ±0.15	20.0	7	2	1470224-7	
15.9	12.50 ±0.10	17.5	6	2	1470224-6	
13.4	10.00 ±0.10	15.0	5	2	1470224-5	
10.9	7.50 ±0.10	12.5	4	2	1470224-4	
8.4	5.00 ±0.10	10.0	3	2	1470224-3	
5.9	2.50 ±0.10	7.5	2	2	1470224-2	
38.4	35.00 ±0.20	40.0	15	1	1470224-5	
35.9	32.50 ±0.20	37.5	14	1	1470224-4	
33.4	30.00 ±0.20	35.0	13	1	1470224-3	
30.9	27.50 ±0.20	32.5	12	1	1470224-2	
28.4	25.00 ±0.20	30.0	11	1	1470224-1	
25.9	22.50 ±0.15	27.5	10	1	1470224-0	
23.4	20.00 ±0.15	25.0	9	0	1470224-9	
20.9	17.50 ±0.15	22.5	8	0	1470224-8	
18.4	15.00 ±0.15	20.0	7	0	1470224-7	
15.9	12.50 ±0.10	17.5	6	0	1470224-6	
13.4	10.00 ±0.10	15.0	5	0	1470224-5	
10.9	7.50 ±0.10	12.5	4	0	1470224-4	
8.4	5.00 ±0.10	10.0	3	0	1470224-3	
5.9	2.50 ±0.10	7.5	2	0	1470224-2	

THIS DRAWING IS A CONTROLLED DOCUMENT.

DWN O. HU 19DEC2006	<p>TE Connectivity</p> <p>2.5mm PITCH EMIX POST HEADER, VERTICAL TYP</p>
CHK S. HOU 19DEC2006	
APVD W.J. KE 19DEC2006	
NAME	
DIMENSIONS: MM	PRODUCT SPEC 108-57175
TOLERANCES UNLESS OTHERWISE SPECIFIED:	QUALIFICATION TEST REPORT 501-57195
0 PLC ± 0.5	SIZE A3
1 PLC ± 0.25	CAGE CODE 00779
2 PLC ± 0.15	DRAWING NO C-1470224
3 PLC ± 0.05	RESTRICTED TO
4 PLC ± -	WEIGHT
ANGLES ± - 3°	CUSTOMER DRAWING
MATERIAL SEE NOTE	SCALE
FINISH SEE NOTE	SHEET 1 of 2
	REV D2

4

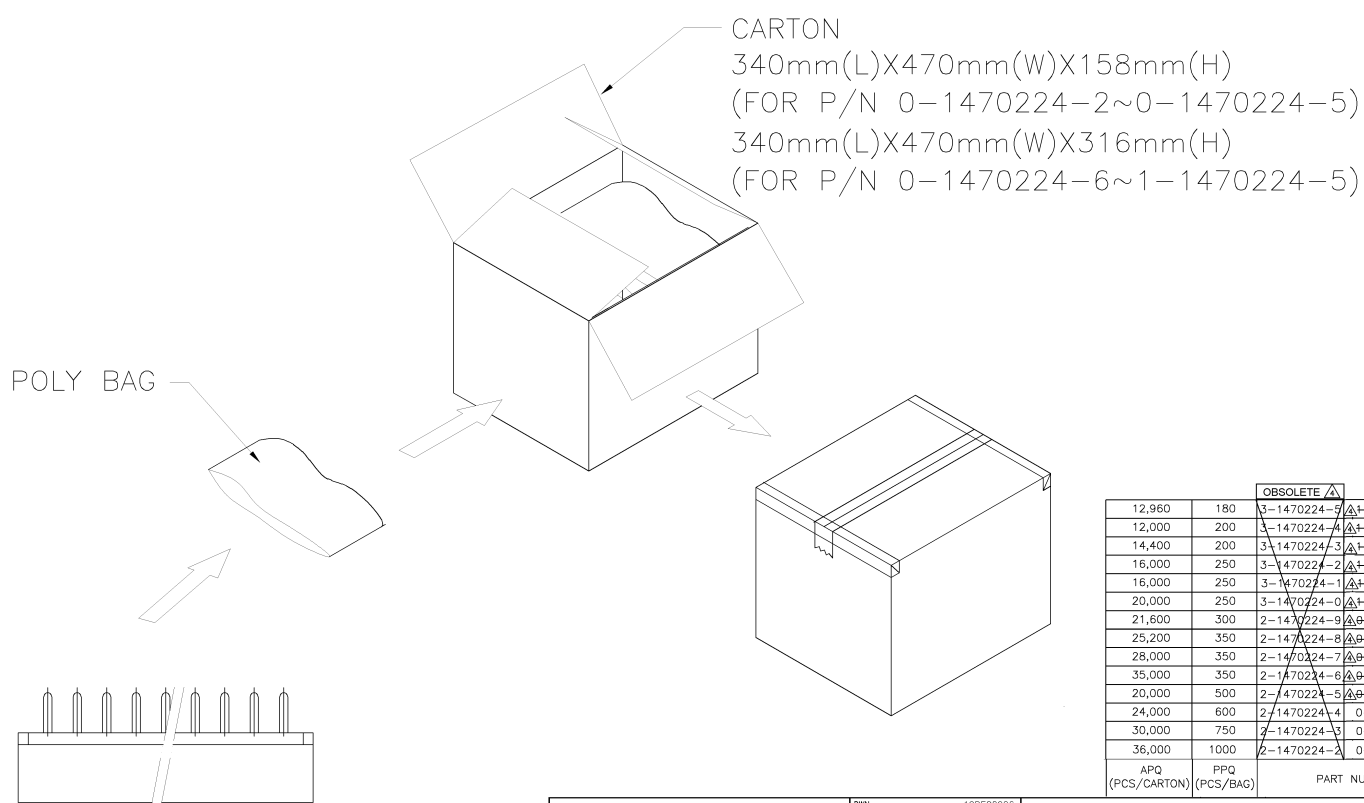
3

2

1

THIS DRAWING IS UNPUBLISHED. RELEASED FOR PUBLICATION
 © COPYRIGHT - BY - ALL RIGHTS RESERVED.

LOC	DIST	REVISIONS			
P	LTR	DESCRIPTION	DATE	DWN	APVD
DW	-	SEE SHEET 1.			



OBSOLETE		
12,960	180	3-1470224-7 A1-1470224-5
12,000	200	3-1470224-8 A1-1470224-4
14,400	200	3-1470224-3 A1-1470224-3
16,000	250	3-1470224-2 A1-1470224-2
16,000	250	3-1470224-1 A1-1470224-1
20,000	250	3-1470224-0 A1-1470224-0
21,600	300	2-1470224-9 A0-1470224-9
25,200	350	2-1470224-8 A0-1470224-8
28,000	350	2-1470224-7 A0-1470224-7
35,000	350	2-1470224-6 A0-1470224-6
20,000	500	2-1470224-5 A0-1470224-5
24,000	600	2-1470224-4 0-1470224-4
30,000	750	2-1470224-3 0-1470224-3
36,000	1000	2-1470224-2 0-1470224-2
APQ (PCS/CARTON)	PPQ (PCS/BAG)	PART NUMBER

THIS DRAWING IS A CONTROLLED DOCUMENT.

DWN	O. HU	19DEC2006	TE Connectivity 2.5mm PITCH EMIX POST HEADER, VERTICAL TYP
CHK	S. HOU	19DEC2006	
APVD	W.J. KE	19DEC2006	
DIMENSIONS: MM 			NAME
TOLERANCES UNLESS OTHERWISE SPECIFIED: 0 PLC ± - 1 PLC ± - 2 PLC ± - 3 PLC ± - 4 PLC ± - ANGLES ± -			PRODUCT SPEC
MATERIAL			APPLICATION SPEC
FINISH			WEIGHT
			SIZE CAGE CODE DRAWING NO
			RESTRICTED TO
CUSTOMER DRAWING			SCALE SHEET 2 OF 2 REV D2