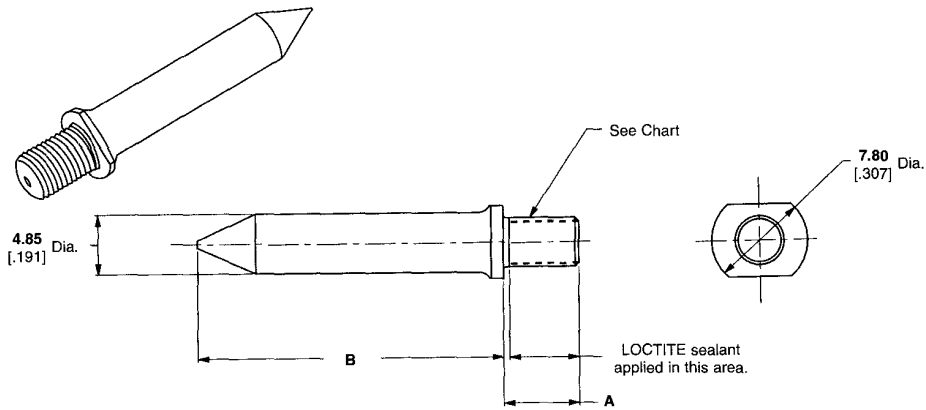


**Power and Guide Hardware**  
(Continued)

**Guide Pin (Unkeyed)**

**Material and Finish**  
**Guide Pin** — Passivated stainless steel  
**Part Number 223956-1**



| Dimension                |               | Thread      | Part Numbers  |
|--------------------------|---------------|-------------|---------------|
| A                        | B             |             |               |
| 7.50 [.295]              | 24.73 [.974]  | M4 x 7-6g   | 223982-1 1, 2 |
| 9.20 [.362]              | 25.16 [.991]  | M4 x 7-6g   | 223969-7 2    |
| 12.70 [.500]             | 25.16 [.991]  | 8-32 UNC-2A | 223969-4 2    |
| 12.70 [.500]             | 25.16 [.991]  | M4 x 7-6g   | 223969-1 2    |
| 6.20 [.244]              | 25.16 [.991]  | M4 x 7-6g   | 223956-1 2    |
| 12.70 [.500]             | 31.25 [1.230] | 8-32 UNC-2A | 1-223969-0 2  |
| 3.80 <sup>3</sup> [.150] | 27.16 [1.069] | M4 x 7-6h   | 120646-1 2    |
| 2.00 <sup>3</sup> [.079] | 27.16 [1.069] | M3 x 0.5    | 223988-1 2    |

1 6.35 Hex Base.  
2 RoHS Compliant.  
3 Internal Thread.



Z-PACK HM-Zd Connector

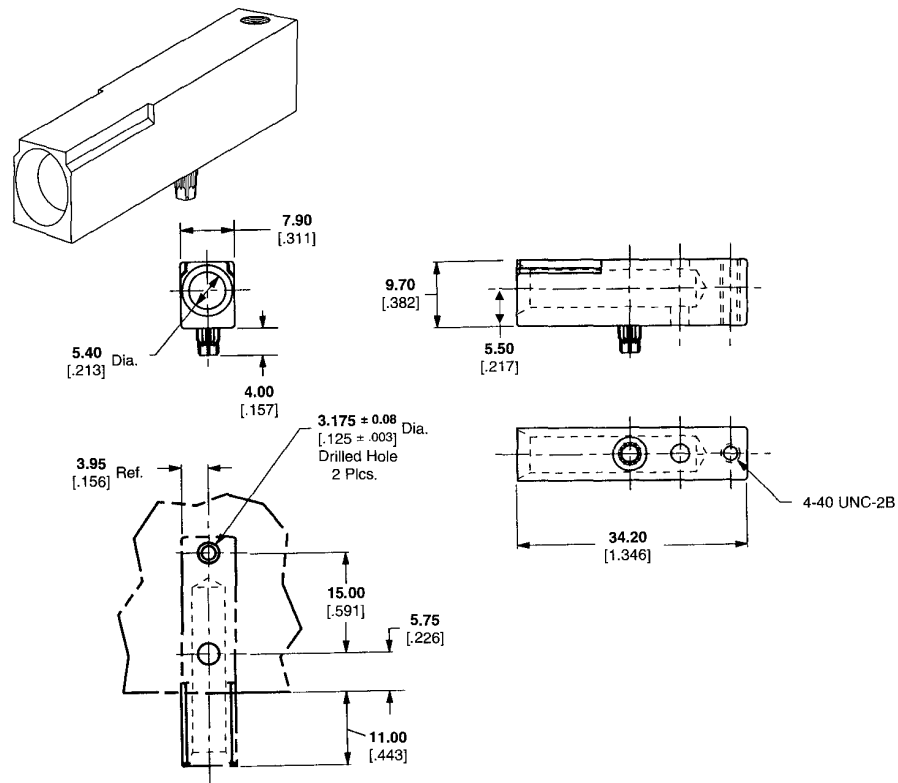
**Female Guide Module (Unkeyed)**

**Material and Finish**  
**Guide Module** — Zinc alloy, chromate conversion coated

**Related Product Data**  
**Application Tooling** —  
Seating Tool, 224440-1.  
Board Support Fixture, 217603-1.

**Technical Documents**

- Product Specification**  
108-1651
- Application Specification**  
114-1103
- Part Number 223957-1**  
(as shown)
- Part Number 223979-1**  
(dual alignment posts)



Recommended PC Board Hole Layout