



## Plug-in Screw Connector System for Printed Circuit Boards

## TYPE 120-D-121

5 mm spacing - 2 to 24 poles

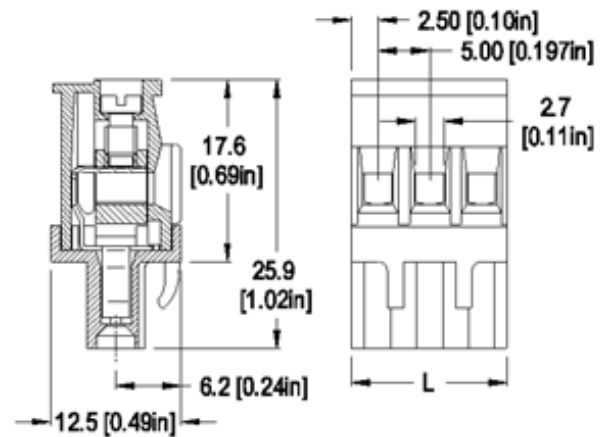
Distributor Stock Check



Series	Download PDF	3D Model	Can plug with	How to order	Color specifications	Print
--------	--------------	----------	---------------	--------------	----------------------	-------



120-D-121



Dimensions: mm (in.)

Length of Connector (L)

 $L = \text{No. of Poles} \times \text{Center to Center Spacing}$ 

When locating connector, allow 0.5 mm clearance around it for process-induced variations.

## Approval Information

UL File No.E69841

CSA File No.LR24322



Rating	Current(A)	Voltage(V)	Application group	AWG
UL	15	300	B	26-12
UL	10	300	D	26-12
CSA	10	300	B,D,E	26-12

\* UL: 24-26 AWG range for factory wiring only.

Screw Tightening Torque:

UL: 4.5 lbf·in

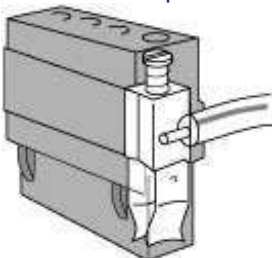
CSA: 0.51 Nm

International Approvals:



Rated Impulse Withstand Voltage: 2500 V

One possible variation of assembly



Typical Application



RoHS WEEE Pb free compliant

## Description

- Plug
- Plug-In Direction Perpendicular to PCB and Wire Entrance Parallel to PCB when plugged with 120-M-121 /-221, 120-M-221-SMD, 120-M-221-THR, 120-M-161 /-261, 120-M-163 /-263, 120-M-227, 120-M-227-SMD and 120-M-191 /-291
- Plug-In Direction Parallel to PCB and Wire Entrance Perpendicular to PCB when plugged with 120-M-181 /-281, 120-M-111 /-211
- Retention clips on same side as wire entry

### Technical Data

Center to Center Spacing: 5 mm (0.197 in.)  
 Nominal Cross Section:  
 2.5 mm<sup>2</sup> (3874 mils<sup>2</sup>)  
 Wire Stripping Length: 7 mm (0.28 in.)

### Illustration



Coding keys 120-K are available to prevent the insertion of the wrong plug into a header. These are usually field inserted but can be factory installed if required.

[Top of page](#)

### Material

Molding: Polyamide, self extinguishing UL 94, V-0, color grey  
 Temperature limits:  
 Short Time: 140°C (284°F)  
 Continuous: RTI 105°C (221°F)  
 Low Limit: -40°C (-40°F)  
 Comparative Tracking Index: CTI > 600  
 Oxygen Index Rating: 33%

Terminal Body: Nickel plated copper alloy  
 Wire Protector and Contact Spring: Tin plated copper alloy  
 Screw: M3, Slotted head, zinc plated blue passivated, steel substrate

## How to order

Item 120-D-121

- Options
- CN: Consecutive Numbering (hot stamped numbers)
  - SM: Special Marking (please provide sketch)
  - BS: Copper Alloy Screw
  - PS: Clear Chromate Passivated, zinc plated, Steel Screws
  - G05: Gold Plating (5 micro inches)
  - G30: Gold Plating (30 micro inches)
  - S30: Silver Plating (30 micro inches)
  - SRF: Strain Relief (available for 2 to 8 poles only)

Note: Plated component: contact spring

Ordering Note: Voltage rating for 10 mm spacing is UL certified for 15A - 300V / C and for 5A - 600V / D and CSA certified for 600 / D,E (120-D-122).

120-D-121/

POLES:  
02 to 24

[Request sample](#)  
[Request quote](#)

Quantity

Accessories  
[BST Self Adhesive Marking Strips.](#)  
[Consecutively numbered.](#)  
[Jumper, Type 970-J1.](#)

[Add to shopping cart](#)