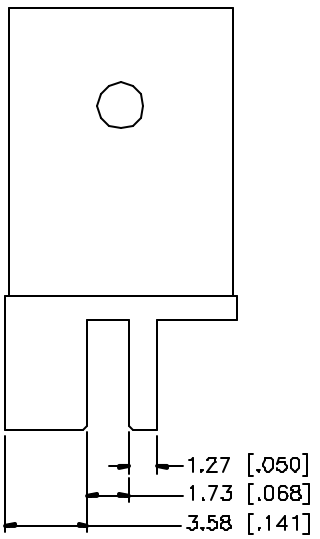
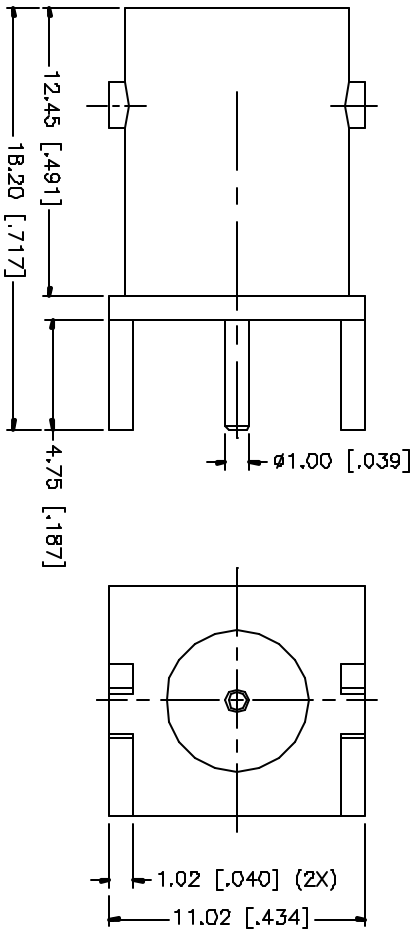


REV.	DATE	DESCRIPTION
A	05/01/04	UPDATE DRAWING FORMAT



QTY	FINISH	MATERIAL	DESCRIPTION
1	NICKEL	BRASS	INSULATOR BODY
1	NATURAL	TEFLON	INSULATOR
1	GOLD	PHOS. BRONZE	CONTACT PIN

APPROVALS	DATE
DRAWN G.R.S.	05/01/04
CHECKED	
SHIPPED	
SHEET 1 OF 1	

LAUNCH OPERATOR SPECIFIED DIMENSIONS ARE IN MILLIMETERS. DIMENSIONS IN [ ] ARE IN INCHES AND FOR REFERENCE ONLY.	LAUNCH OPERATOR SPECIFIED DIMENSIONS ARE IN MILLIMETERS. DIMENSIONS IN [ ] ARE IN INCHES AND FOR REFERENCE ONLY.
LAUNCH OPERATOR SPECIFIED DIMENSIONS FOR MANUFACTURE ARE:	LAUNCH OPERATOR SPECIFIED DIMENSIONS FOR MANUFACTURE ARE:
0.5 - 8mm ± 0.25mm	.020 - .315 ± 0.007"
8 - 30mm ± 0.50mm	.315 - 1.180 ± 0.016"
30 - 120mm ± 0.50mm	1.180 - 4.724 ± 0.020"

DO NOT SCALE DRAWING	DATE FILE C:/112/112622.DWG	DWG. NO. 112622.DWG	REV. A	SIZE A	SCALE NA
----------------------	-----------------------------	---------------------	--------	--------	----------

<b>Amphenol Connex</b>	
PART DESCRIPTION	
BNC END LAUNCH RECEIPT. JACK - 75ohm	
PART NO.	112622