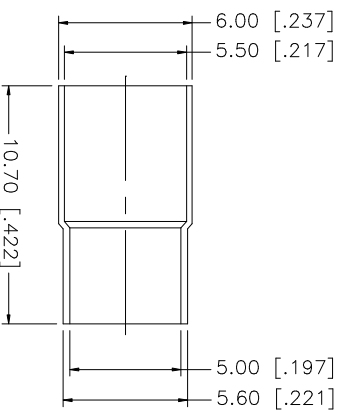
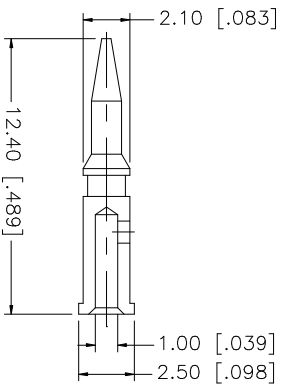
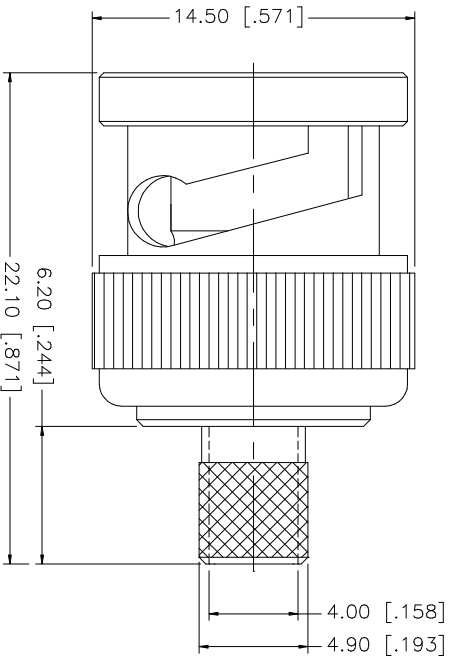
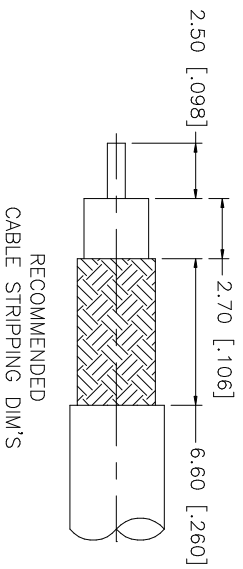


REV.	DATE	DESCRIPTION
A	01/10/04	UPDATE DRAWING FORMAT



NO.	DESCRIPTION	MATERIAL	FINISH	QTY
1	BODY	BRASS	NICKEL	1
2	INSULATOR	TEFLON	NATURAL	1
3	CONTACT PIN	BRASS	GOLD	1
4	FERRULE	COPPER	NICKEL	1
5				
6				
7				
8				

UNLESS OTHERWISE SPECIFIED DIMENSIONS ARE IN INCHES AND FOR CUSTOMER REFERENCE ONLY.	UNLESS OTHERWISE SPECIFIED DIMENSIONS ARE IN MILLIMETERS AND FOR CUSTOMER REFERENCE ONLY.
TOLERANCES FOR MILLIMETERS ARE: 0.5 - 8mm ± 0.20mm 8 - 30mm ± 0.40mm 30 - 120mm ± 0.50mm	TOLERANCES FOR INCHES ARE: UNLESS OTHERWISE SPECIFIED .020 - .315 = ± 0.007" .315 - 1.180 = ± 0.015" 1.180 - 4.724 = ± 0.020"

APPROVALS	DATE
DRAWN G.R.S.	01/10/04
CHECKED	
ISSUED	
SHEET 1 OF 1	

CAD FILE	DWG. NO.	REV.	SIZE	SCALE
C:/112/112490-10.DWG	112490-10.DWG	A	A	NA

PART DESCRIPTION	PART NO.
Amphenol Connex BNC CRIMP PLUG (FOR 200 MHZ VIDEO CABLE)	112490-10