



Products

Search By:

Enter Molex Part No. or
Keyword**11-01-0006**

- [Datasheet](#)
- [Tooling](#)
- [Specification \(PDF\)](#)
- [Crimp Quality Handbook \(PDF\)](#)
- [Tooling Repair Information \(PDF\)](#)
- [Calidad de Crimpeo \(PDF\)](#)

Products

New

Contact Us

About Us

Investors

Jobs

Languages

日本語
한국어
简体中文

English

Español

Français

Italiano

Deutsch

Polski

Português

По Русски

中文显示

日本語

한국어

Datasheet Application Tooling

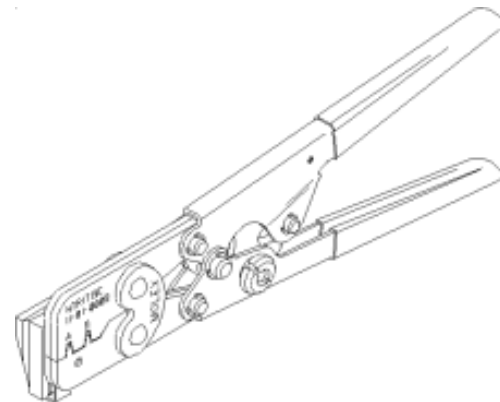
[[Home](#) > [Products](#) > [Application Tooling](#) > [Datasheet](#)]

11-01- 0006

Hand Crimper

 [E-mail this page](#)

Status	INACTIVE / OBSOLETE
*Access Level	Internet
Obsolete Date	2004-12
Replacement Products	63811-3400
Geographic Area	Americas
Region	Americas
Level of Automation	Manual
Function	Crimp
Tool Type	Handtool
Wire Size [AWG]	28, 26, 24
Wire Size [mm ²]	0.08 - 0.20
Wire Insulation Diameter	1.78mm (.070") max.
Wire Strip Length	3.96-5.54mm (.156-.218")
Wire Type	Discrete Wire
Note	Prototype and field repair
Old Part Number	HTR2262
More Detailed Technical Information	applicationtooling@molex.com
Survey	Tooling Satisfaction
*Product Management	Grenke, Bob
*Lab Office	UAT



Type 3

ENVIRONMENT

[RoHS Status](#)RoHS Compliance Not
Required

Features and Benefits

- Simple trouble-free full cycle mechanism assures consistent terminations
- Each tool is precisely engineered
- All crimp cavities are fully machined in high carbon steel, then heat treated
- HT prefix for Molex-US

Related Products

CRIMP TERMINALS

Product Number	Description
02-08-1103	Claspon™ Crimp Terminal Socket, Tin (Sn) Plated Brass Contact, 24-30 AWG, Reel
02-08-1104	Claspon™ Crimp Terminal Socket, Tin (Sn) Plated Brass Contact, 24-30 AWG, Bag
02-09-1142	2.36mm (.093") Diameter, Standard .093" Pin and Socket Crimp Terminal, Series 1433, Female, with Tin (Sn) Plated Brass Contact, 24-30 AWG, Reel
02-09-1144	2.36mm (.093") Diameter, Standard .093" Pin and Socket Crimp Terminal, Series 1433, Female, with Tin (Sn) Plated Brass Contact, 24-30 AWG, Bag



02-09-2141	2.36mm (.093") Diameter, Standard .093" Pin and Socket Crimp Terminal, Series 1434, Male, with Tin (Sn) Plated Brass Contact, 24-30 AWG, Reel
02-09-2143	2.36mm (.093") Diameter, Standard .093" Pin and Socket Crimp Terminal, Series 1434, Male, with Tin (Sn) Plated Brass Contact, 24-30 AWG, Bag
02-09-5146	2.36mm (.093") Diameter, Standard .093" Pin and Socket Crimp Terminal, Series 1433, Female, with Gold (Au) Plated Brass Contact, 24-30 AWG, Reel
02-09-5147	2.36mm (.093") Diameter, Standard .093" Pin and Socket Crimp Terminal, Series 1433, Female, with Gold (Au) Plated Brass Contact, 24-30 AWG, Bag
02-09-6144	2.36mm (.093") Diameter, Standard .093" Pin and Socket Crimp Terminal, Series 1434, Male, with Gold (Au) Plated Brass Contact, 24-30 AWG, Reel
02-09-6145	2.36mm (.093") Diameter, Standard .093" Pin and Socket Crimp Terminal, Series 1434, Male, with Gold (Au) Plated Brass Contact, 24-30 AWG, Bag

For all product dimensions, please refer to Drawing (PDF).

© Copyright 2005 Molex Incorporated