

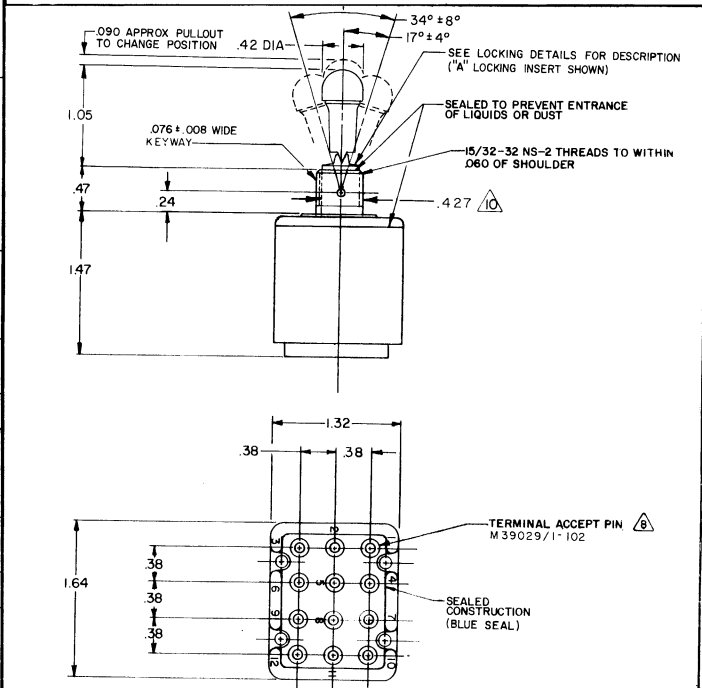
M 104TL1 SERIES
 DRAWING NUMBER
 CHART 2

REVISIONS
 A [03795] J A L 7 DEC 78
 B [0425] M A D E E T S
 C [0425] M A R 77
 D [0425] F S K
 E [057478] 16 NOV 81
 F [058981] 6 J W 20 NOV 82
 G [057478] 12 JUL 83
 H [058981] 1 JAN 86

MICRO SWITCH
 FREEPORT, ILLINOIS, U.S.A.
 A DIVISION OF HONEYWELL
 FED. MFG. CODE 51929

SWITCH-TOGGLE
 CATALOG LISTING
104 TL1 SERIES
CHART 2

THIS DRAWING COVERS A PROPRIETARY ITEM AND IS THE PROPERTY OF MICRO SWITCH, A DIVISION OF HONEYWELL. THIS DRAWING IS NOT TO BE COPIED OR USED WITHOUT THE APPROVAL OF MICRO SWITCH.



- NOTES-
- SWITCHES ARE CAPABLE OF WITHSTANDING A TEMPERATURE OF 160° F CONTINUOUSLY AT FULL RATED LOAD
 - CIRCUIT DESIGNATION, MICRO SWITCH CATALOG LISTING, DATE CODE AND 'MS' NUMBER STAMPED ON SIDES OF SWITCH
 - FURNISHED UNASSEMBLED
 - THESE SWITCHES ARE QUALIFIED UNDER MIL-S-3950
 - SUFFIX LETTER MUST BE ADDED FOR DESIRED TYPE TOGGLE LOCKING
 - SEE CHART FOR AVAILABLE LOCKING COMBINATIONS
 - CIRCUIT DIAGRAMS APPLY ONLY TO "ON" AND "MOM ON" POSITIONS
 - THE SEALING GROMMET SHALL SEAL ON A SMOOTH WIRE INSULATION OF .068 TO .103 DIAMETERS (14-16 GAGE)
 - UNUSED TERMINAL HOLES MAY BE SEALED WITH PLUGS M83723-28-16 FROM BOTTOM OF KEYWAY TO MAJOR DIA OF 13/32 THREAD
 - ANGLE

SCALE FULL

DO NOT SCALE PRINT UNLESS OTHERWISE NOTED

DIMENSIONS ARE IN INCHES

TOLERANCES ARE

ONE PLACE (.01) ± .030

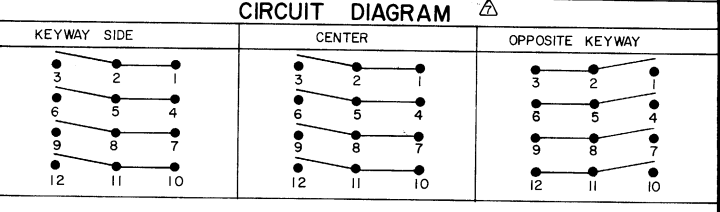
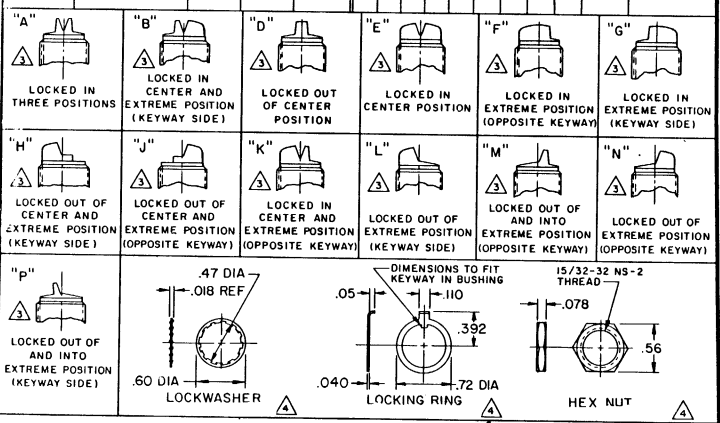
TWO PLACE (.00) ± .018

THREE PLACE (.000) ± .008

ANGLES

WEIGHT

CAT. LIST.	AVAILABLE LOCKING COMBINATIONS FOR CONFIGURATION (SEE LETTERED DETAILS)	CIRCUIT TOGGLE IN			CURRENT CAPACITY (AMPS)						MS NUMBER			
		EXTREME POSITION KEYWAY SIDE	CENTER	EXTREME POSITION OPPOSITE KEYWAY	RESISTIVE LOAD DC VOLTS IAC VOLTS		LAMP LOAD 30 VDC 115 VAC		INDUCTIVE LOAD 30 VDC 115 VAC			CONTINUOUS		
104TL1-1	A,B,D,E,F,G,H,I,K,L,M,N,P	ON	OFF	ON								27783-21		
104TL1-2	D, F, G	OFF	NONE	ON								27783-22		
104TL1-3	D, F, G	ON	NONE	ON								27783-23		
104TL1-21	E, F, K, M	NONE	OFF	ON	20	75	5	15	6	5	4	12	15	27783-24
104TL1-31	E, F, K, M	NONE	ON	ON										27783-33
104TL1-4	F	MOM OFF	NONE	ON										27783-29
104TL1-5	E, F, K, L, M, N	MOM ON	OFF	ON										27783-31
104TL1-6	F	MOM ON	NONE	OFF										27783-30
104TL1-7	E, L, N	MOM ON	OFF	MOM ON										27783-27
104TL1-8	F	MOM ON	NONE	ON										27783-26
104TL1-41	F	NONE	MOM OFF	ON	18	75	5	11	6	4	2	10	8	27783-25
104TL1-51	E	NONE	ON	MOM ON										27783-32
104TL1-61	E	MOM ON	OFF	NONE										27783-28



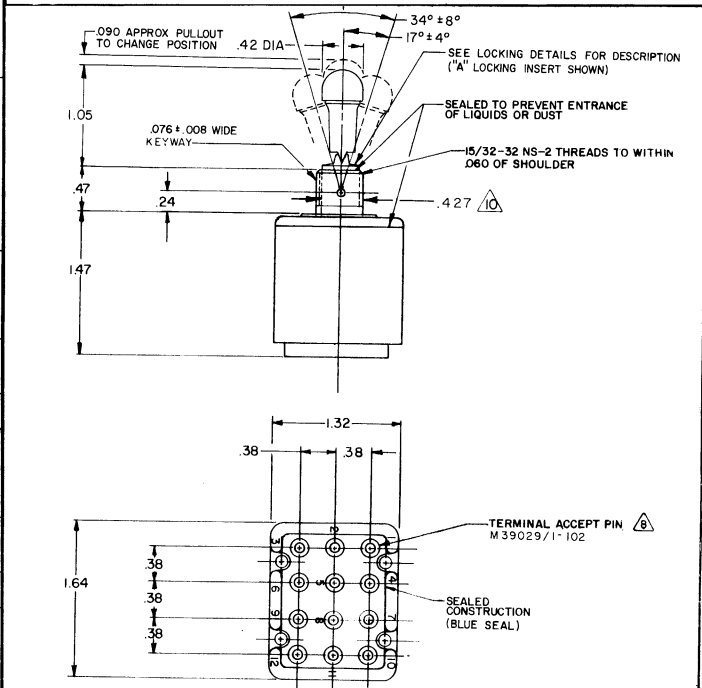
M 104TL1 SERIES
 DRAWING NUMBER
 CHART 2

REVISIONS
 A [03795] J A L 7 DEC 78
 B [0425] M A D E E T S
 C [0425] M A R 77
 D [0425] F S K
 E [057478] 16 NOV 81
 F [058981] 6 J W 20 NOV 82
 G [057478] 12 JUL 83
 H [058981] 1 JAN 86

MICRO SWITCH
 FREEPORT, ILLINOIS, U.S.A.
 A DIVISION OF HONEYWELL
 FED. MFG. CODE 51929

SWITCH-TOGGLE
 CATALOG LISTING
104 TL1 SERIES
CHART 2

THIS DRAWING COVERS A PROPRIETARY ITEM AND IS THE PROPERTY OF MICRO SWITCH, A DIVISION OF HONEYWELL. THIS DRAWING IS NOT TO BE COPIED OR USED WITHOUT THE APPROVAL OF MICRO SWITCH.



- NOTES-
- SWITCHES ARE CAPABLE OF WITHSTANDING A TEMPERATURE OF 160° F CONTINUOUSLY AT FULL RATED LOAD
 - CIRCUIT DESIGNATION, MICRO SWITCH CATALOG LISTING, DATE CODE AND 'MS' NUMBER STAMPED ON SIDES OF SWITCH
 - FURNISHED UNASSEMBLED
 - THESE SWITCHES ARE QUALIFIED UNDER MIL-S-3950
 - SUFFIX LETTER MUST BE ADDED FOR DESIRED TYPE TOGGLE LOCKING
 - SEE CHART FOR AVAILABLE LOCKING COMBINATIONS
 - CIRCUIT DIAGRAMS APPLY ONLY TO "ON" AND "MOM ON" POSITIONS
 - THE SEALING GROMMET SHALL SEAL ON A SMOOTH WIRE INSULATION OF .068 TO .103 DIAMETERS (14-16 GAGE)
 - UNUSED TERMINAL HOLES MAY BE SEALED WITH PLUGS M83723-28-16 FROM BOTTOM OF KEYWAY TO MAJOR DIA OF 13/32 THREAD

SCALE FULL
 DO NOT SCALE PRINT
 UNLESS OTHERWISE NOTED
 DIMENSIONS ARE IN INCHES
TOLERANCES ARE
 ONE PLACE (.01) ± .030
 TWO PLACE (.00) ± .018
 THREE PLACE (.000) ± .008
 ANGLES
 WEIGHT

CAT. LIST.	AVAILABLE LOCKING COMBINATIONS FOR CONFIGURATION (SEE LETTERED DETAILS)	CIRCUIT WITH TOGGLE IN		CURRENT CAPACITY (AMPS)						MS NUMBER				
		EXTREME POSITION KEYWAY SIDE	CENTER	RESISTIVE LOAD DC VOLTS	RESISTIVE LOAD AC VOLTS	LAMP LOAD VDC	INDUCTIVE LOAD VDC	CONTINUOUS						
104TL1-1	A,B,D,E,F,G,H,I,K,L,M,N,P	ON	OFF	ON						27783-21				
104TL1-2	D, F, G	ON	NONE	ON						27783-22				
104TL1-3	D, F, G	OFF	NONE	ON						27783-23				
104TL1-21	E, F, K, M	NONE	OFF	ON	20	75	5	15	6	5	4	12	15	27783-24
104TL1-31	E, F, K, M	NONE	ON	ON										27783-33
104TL1-4	F	MOM OFF	NONE	ON										27783-29
104TL1-5	E, F, K, L, M, N	MOM ON	OFF	ON										27783-31
104TL1-6	F	MOM ON	NONE	OFF										27783-30
104TL1-7	E, L, N	MOM ON	OFF	MOM ON										27783-27
104TL1-8	F	MOM ON	NONE	ON										27783-26
104TL1-41	F	NONE	MOM OFF	ON	18	75	5	11	6	4	2	10	8	27783-25
104TL1-51	E	NONE	ON	MOM ON										27783-32
104TL1-61	E	MOM ON	OFF	NONE										27783-28

