

General Specifications

AB40 Switchboard Style AC Hour Meters

The AB40 switchboard hour meter contains the time-proven 240 elapsed time meter in a 4.33" square weather-resistant case. It is designed for use with other switchboard instruments on electrical switchgear and control panels. It is UL/CSA recognized under file E 44857 and meets ANSI C39.1 specifications for shock and vibration. Accuracy of these AC hour meters matches the frequency control of the power system. Models are available with a time range of 0 to 99,999.9 hours in reset and non-reset configurations. The reset model requires the removal of the cover in order to perform the reset function.



Reset Type



Non-Reset Type

Ordering Information:

AB 40 Hour Meter Reset Type	AB 40 Hour Meter Non-Reset Type	AC Voltage Rating and Frequency
103822AAAB	103811AAAB	120V-60Hz
103822ADAB	103811ADAB	120V-50Hz
103822AGAB	103811AGAB	208V-60Hz
103822AHAB	103811AHAB	208V-50Hz
103822ABAB	103811ABAB	240V-60Hz
103822AEAB	103811AEAB	240V-50Hz
103822ACAB	103811ACAB	480V-60Hz
103822AFAB	103811AFAB	480V-50Hz

Specifications

Accuracy: Matches frequency control of the power system

Vibration/Shock: Meets ANSI Specification C39.1

Materials: Polycarbonate cover and zinc-coated steel case

Safety: UL recognized under file E44857

Presentation: Six digit counter with 5/32" high digits

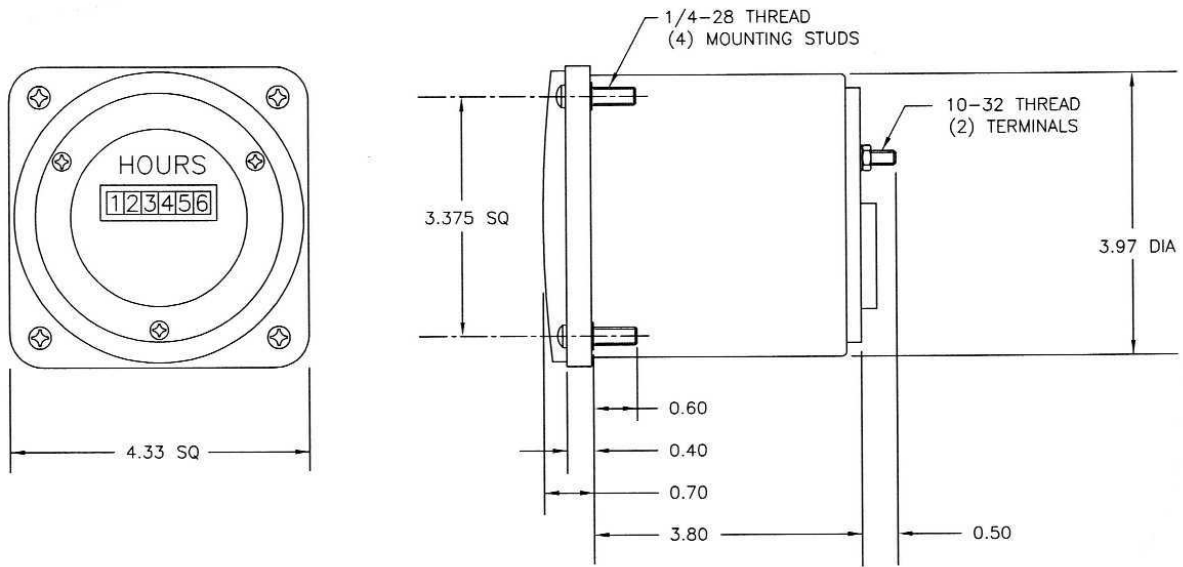
Insulation level: 2000VAC for one minute

Burden: Three watts typical

Motor: Synchronous

Dimensions: Outline dimensions and cutout on next page

Outline Dimensions



Panel Cutout

