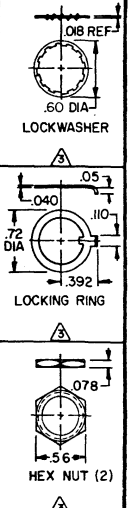
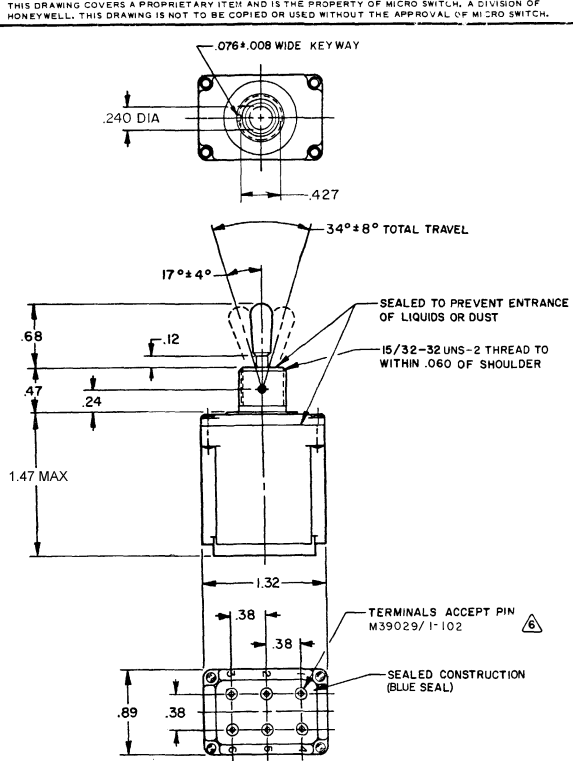


MICRO SWITCH
 FREEPORT ILLINOIS U.S.A.
 A DIVISION OF HONEYWELL
 FED. MFG. CODE 9192P

SWITCH-TOGGLE

CATALOG LISTING
102TL1 SERIES
CHART 1

MILITARY STANDARD NUMBER	CATALOG LISTING	CIRCUIT MADE WITH TOGGLE LEVER IN			CURRENT CAPACITY (AMPS)								
		KEYWAY SIDE (1-2,4-5)	CENTER (1-2,4-5)	OPPOSITE KEYWAY (2-3,5-6)	RESISTIVE LOAD		LAMP LOAD		INDUCTIVE LOAD				
					DC VOLTS	AC VOLTS	DC VOLTS	AC VOLTS	DC VOLTS	AC VOLTS	DC VOLTS	AC VOLTS	
MS27723-21	102TL1-1	ON	OFF	ON	20	.75	.5	15	6	7	4	15	15
MS27723-22	102TL1-2	OFF	NONE	ON									
MS27723-23	102TL1-3	ON	NONE	ON									
MS27723-24	102TL1-21	NONE	OFF	ON									
MS27723-25	102TL1-31	NONE	ON	ON									
MS27723-26	102TL1-4	MOM OFF	NONE	ON									
MS27723-27	102TL1-5	MOM ON	OFF	ON									
MS27723-28	(H)	MOM ON	NONE	OFF									
MS27723-29	102TL1-7	MOM ON	OFF	MOM ON	18	.75	.5	11	6	5	2	10	8
MS27723-30	102TL1-8	MOM ON	NONE	ON									
MS27723-31	102TL1-51	NONE	ON	MOM ON									
MS27723-32	102TL1-61	MOM ON	OFF	NONE									



- NOTES
- SWITCHES ARE CAPABLE OF WITHSTANDING A TEMPERATURE OF 160°F CONTINUOUSLY AT FULL RATED LOAD
 - CIRCUIT DESIGNATION, MICRO SWITCH CATALOG LISTING, DATE CODE, AND "MS" NUMBER IDENTIFIED ON SIDE OF SWITCH FURNISHED UNASSEMBLED
 - THESE SWITCHES ARE QUALIFIED UNDER MIL-S-3950 APPLIES ONLY TO "ON" AND "MOMENTARY ON" POSITIONS THE SEALING GROMMET SHALL SEAL ON A SMOOTH WIRE INSULATION OF .068 TO .103 DIAMETERS (14-16 GAGE)
 - UNUSED TERMINAL HOLES MAY BE SEALED WITH PLUGS M83723/28-16

CATALOG LISTING
M 102TL1 SERIES CHART 1
 ISSUE 21
 REVISIONS
 A CO 36392
 M M 8 FEB 78
 B CO-99070
 C 47
 M MAY 81
 CO 20498
 16 NOV 81
 D 36074
 27 NOV 84
 E 2057478
 15 JUL 85
 F CO 25297
 A K
 16 FEB 90
 G CO 32999
 H CO 36307
 18 NOV 99
 J 201413
 4 OCT 00
 DRAWN
 T M M B FEB 78
 RASTER

SCALE FULL
 DO NOT SCALE PRINT
 UNLESS OTHERWISE NOTED
 DIMENSIONS ARE IN INCHES
TOLERANCES ARE:
 ONE PLACE (.01) ± .000
 TWO PLACE (.001) ± .001
 THREE PLACE (.000) ± .0005
 ANGLE ± .005
 WEIGHT .135 LBS MAX