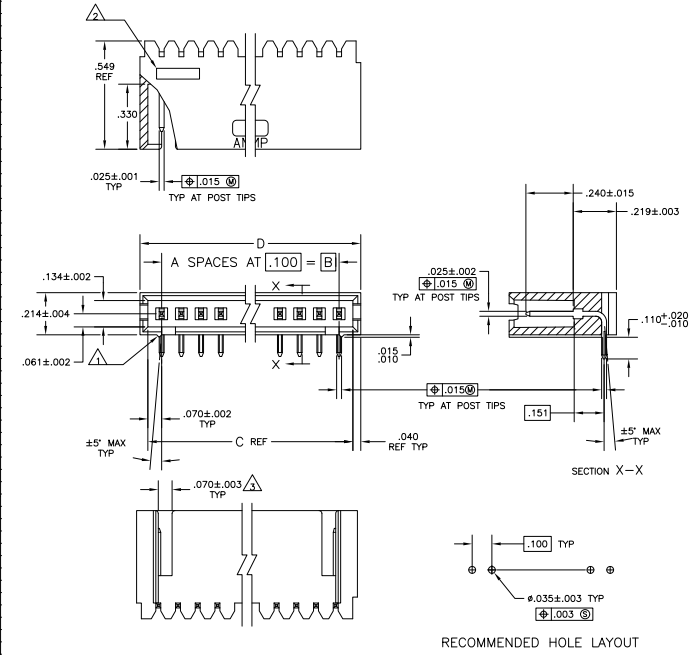


THIS DRAWING IS UNPUBLISHED
 ALL RIGHTS RESERVED

REV	DATE	DESCRIPTION	BY	CHK	APP
AD	00				
R2		REVISED PER EDD-11-004587			



- △ STANDOFFS:
 3 THRU 9 POSN - (2 REQD) ON OUTSIDE ENDS OF HOUSING
 10 THRU 18 POSN - (3 REQD) TWO ON OUTSIDE ENDS AND ONE CENTERED ON HOUSING
 19 POSN AND LARGER - (4 REQD) TWO ON OUTSIDE ENDS AND TWO EVENLY SPACED WITHIN REMAINING LENGTH OF HOUSING
- △ RECESSED DATE CODE
- △ FOR 3 POSITION ONLY, ONE SLOT .215 WIDE.
- △ .000100-.000200 BRIGHT TIN-LEAD OVER .000050 NICKEL.
- △ .000100-.000200 BRIGHT TIN OVER .000050 NICKEL.
- △ PRELIMINARY PART
- △ .000100-.000200 MATTE TIN OVER .000050 NICKEL.
- △ MATERIAL:
 HOUSING: FLAME RETARDANT THERMOPLASTIC, COLOR: BLACK
 POSTS: PHOS BRONZE
- △ OBSOLETE PARTS: OBSOLETE CIS STREAMLINING PER D.RENAUD/D.SINISI

REV	DATE	DESCRIPTION	BY	CHK	APP	
△	2.620	2.540	2.400	24	25	7-102523-3
△	2.520	2.440	2.300	23	24	7-102523-2
△	2.420	2.340	2.200	22	23	7-102523-1
△	2.220	2.140	2.000	20	21	7-102523-0
△	2.120	2.040	1.900	19	20	6-102523-6
△	2.020	1.940	1.800	18	19	6-102523-5
△	1.920	1.840	1.700	17	18	6-102523-4
△	1.820	1.740	1.600	16	17	6-102523-3
△	1.720	1.640	1.500	15	16	6-102523-2
△	1.620	1.540	1.400	14	15	6-102523-1
△	1.520	1.440	1.300	13	14	6-102523-0
△	1.420	1.340	1.200	12	13	6-102523-0
△	1.320	1.240	1.100	11	12	6-102523-0
△	1.220	1.140	1.000	10	11	6-102523-0
△	1.120	1.040	.900	9	10	5-102523-8
△	.920	.840	.700	7	8	5-102523-7
△	.820	.740	.600	6	7	5-102523-6
△	.720	.640	.500	5	6	5-102523-5
△	.620	.540	.400	4	5	5-102523-4
△	.420	.340	.200	2	3	5-102523-2
△	.520	.440	.300	3	4	5-102523-1
△	1.120	1.040	.900	9	10	3-102523-7
△	.920	.840	.700	7	8	3-102523-6
△	.520	.440	.300	3	4	3-102523-5
△	3.720	3.640	3.500	35	36	3-102523-4
△	3.620	3.540	3.400	34	35	3-102523-3
△	3.520	3.440	3.300	33	34	3-102523-2
△	3.420	3.340	3.200	32	33	3-102523-1
△	3.320	3.240	3.100	31	32	3-102523-0
△	3.220	3.140	3.000	30	31	2-102523-9
△	3.120	3.040	2.900	29	30	2-102523-8
△	3.020	2.940	2.800	28	29	2-102523-7
△	2.920	2.840	2.700	27	28	2-102523-6
△	2.820	2.740	2.600	26	27	2-102523-5
△	2.720	2.640	2.500	25	26	2-102523-4
△	2.620	2.540	2.400	24	25	2-102523-3
△	2.520	2.440	2.300	23	24	2-102523-2
△	2.420	2.340	2.200	22	23	2-102523-1
△	2.320	2.240	2.100	21	22	1-102523-6
△	2.220	2.140	2.000	20	21	1-102523-5
△	2.120	2.040	1.900	19	20	1-102523-4
△	2.020	1.940	1.800	18	19	1-102523-3
△	1.920	1.840	1.700	17	18	1-102523-2
△	1.820	1.740	1.600	16	17	1-102523-1
△	1.720	1.640	1.500	15	16	1-102523-0
△	1.620	1.540	1.400	14	15	1-102523-0
△	1.520	1.440	1.300	13	14	1-102523-0
△	1.420	1.340	1.200	12	13	1-102523-0
△	1.320	1.240	1.100	11	12	1-102523-0
△	1.220	1.140	1.000	10	11	1-102523-0
△	1.120	1.040	.900	9	10	102523-8
△	1.020	.940	.800	8	9	102523-7
△	.820	.740	.600	6	7	102523-6
△	.720	.640	.500	5	6	102523-5
△	.620	.540	.400	4	5	102523-4
△	.420	.340	.200	2	3	102523-2
△	.520	.440	.300	3	4	102523-1

FINISH D C B A NO. OF POSN PART NO.

THIS DRAWING IS A CONTROLLED DOCUMENT. THE LENSEY DESIGN

TE Connectivity

HEADER ASSEMBLY MOD II, SINGLE ROW .100 C/L, RIGHT ANGLE

DATE SIZE DRAWING NO. REVISED TO

DATE SIZE DRAWING NO. REVISED TO

CUSTOMER DRAWING A1 00779 G=102523

DATE 4.1 SHEET 1 OF 1 R2