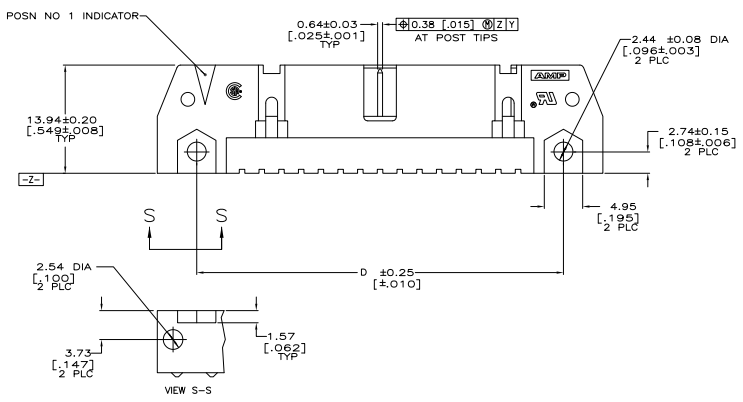
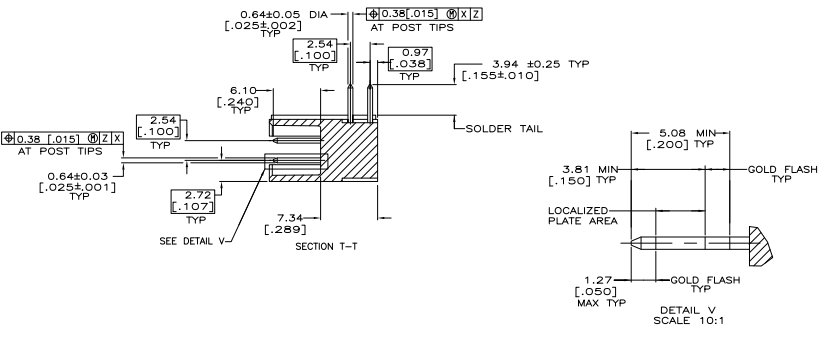
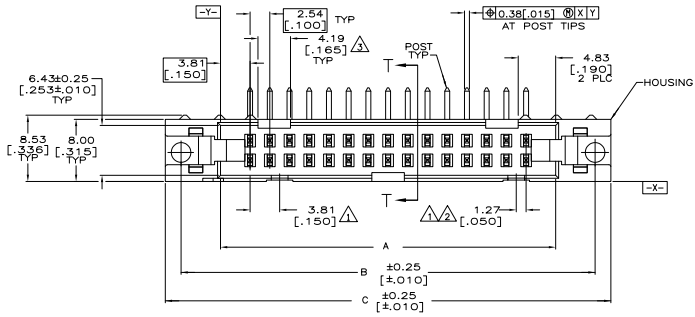


THIS DRAWING IS UNPUBLISHED. ALL RIGHTS RESERVED.
 © 2008 TTI ELECTRONICS CORPORATION

REV	DATE	DESCRIPTION	BY	APP
00				
01		REVISED FOR ECO-10-011003	23NOV10	HMR/SB



THIS DRAWING IS A CONTROLLED DOCUMENT.		DATE: 11-28-08	REV: 01
DRAWN BY: [Signature]		DATE: 11-28-08	REV: 01
CHECKED BY: [Signature]		DATE: 11-28-08	REV: 01
APPROVED BY: [Signature]		DATE: 11-28-08	REV: 01
PROJECT NAME: 108-40018		DATE: 11-28-08	REV: 01
CUSTOMER DRAWING: A100779		DATE: 11-28-08	REV: 01
DRAWING NO: 108-40018		DATE: 11-28-08	REV: 01
REVISED FOR: ECO-10-011003		DATE: 11-28-08	REV: 01
DRAWN BY: [Signature]		DATE: 11-28-08	REV: 01
CHECKED BY: [Signature]		DATE: 11-28-08	REV: 01
APPROVED BY: [Signature]		DATE: 11-28-08	REV: 01
PROJECT NAME: 108-40018		DATE: 11-28-08	REV: 01
CUSTOMER DRAWING: A100779		DATE: 11-28-08	REV: 01
DRAWING NO: 108-40018		DATE: 11-28-08	REV: 01
REVISED FOR: ECO-10-011003		DATE: 11-28-08	REV: 01

REV	DATE	DESCRIPTION	BY	CHK	APP
00					

- △ COORDINATE DIMENSION APPLIES FROM BASIC LOCATION.
- △ 10 AND 14 POSITION SIZES CONTAIN ONLY ONE SLOT FOR SNAP-IN POLARIZER (MILITARY POLARIZATION) LOCATED AS SHOWN.
- △ 10 POSITION SIZES CONTAIN ONLY ONE SLOT FOR DUAL POLARIZATION, LOCATED AS SHOWN.
- 4. RECOMMENDED PRINTED CIRCUIT BOARD THICKNESS IS 3.18 [.125].
- △ POSTS:
GOLD FLASH OVER PALLADIUM-NICKEL PLATE, 0.38µm [.000015] MIN TOTAL ON THE LOCALIZED PLATE AREA.
2.54µm [.000100] MIN TIN-LEAD PLATE ON THE SOLDER-TAIL.
1.27µm [.000050] MIN NICKEL UNDERPLATE ON THE ENTIRE POST.
OR
0.38µm [.000015] MIN GOLD PLATE ON THE LOCALIZED PLATE AREA.
2.54µm [.000100] MIN TIN-LEAD PLATE ON THE SOLDER-TAIL.
1.27µm [.000050] MIN NICKEL UNDERPLATE ON THE ENTIRE POST.
- △ MATERIAL:
HOUSING: GLASS FILLED NYLON OR POLYESTER, 94V-0 RATED, BLACK.
POSTS: BRASS.
- △ OBSOLETE PARTS: OBSOLETE CIS STREAMLINING PER DRENAUD/D.SINISI

	F	E	D	C	B	A	NO OF POSN	PART NUMBER
OBSOLETE	53.34	65.02	65.02	75.18	71.12	60.96	44	1-102161-3
	2.100	2.560	2.560	2.960	2.800	2.400		
OBSOLETE	78.74	90.42	90.42	100.58	96.52	86.36	64	1-102161-2
	3.100	3.560	3.560	3.960	3.800	3.400		
OBSOLETE	73.66	85.34	85.34	95.50	91.44	81.28	60	1-102161-1
	2.900	3.360	3.360	3.760	3.600	3.200		
OBSOLETE	60.96	72.64	72.64	82.80	78.74	68.58	50	1-102161-0
	2.400	2.860	2.860	3.260	3.100	2.700		
OBSOLETE	48.26	59.94	59.94	70.10	66.04	55.88	40	102161-9
	1.900	2.360	2.360	2.760	2.600	2.200		
	40.64	52.32	52.32	62.48	58.42	48.26	34	102161-8
	1.600	2.060	2.060	2.460	2.300	1.900		
△ SUPERCEDED	1.400	1.860	1.860	2.260	2.100	1.700	30	102161-7
	35.56	47.24	47.24	57.40	53.34	43.18		
OBSOLETE	30.48	42.16	42.16	52.32	48.26	38.10	26	102161-6
	1.200	1.660	1.660	2.060	1.900	1.500		
	27.94	39.62	39.62	49.78	45.72	35.56	24	102161-5
	1.100	1.560	1.560	1.960	1.800	1.400		
	22.86	34.54	34.54	44.70	40.64	30.48	20	102161-4
	0.900	1.360	1.360	1.760	1.600	1.200		
OBSOLETE	17.78	29.46	29.46	39.62	35.56	25.40	16	102161-3
	0.700	1.160	1.160	1.560	1.400	1.000		
	15.24	26.92	26.92	37.08	33.02	22.86	14	102161-2
	0.600	1.060	1.060	1.460	1.300	0.900		
OBSOLETE	10.16	21.84	21.84	32.00	27.94	17.78	10	102161-1
	0.400	0.860	0.860	1.260	1.100	0.700		

THIS DRAWING IS A CONTROLLED DOCUMENT.		REV. 00	DATE 11-28-08	Tys Electronics Corporation Harrisburg, PA 17105-3608	
UNLESS OTHERWISE SPECIFIED:	UNIT: INCHES	DECIMALS: 0.0005	FRACTIONS: 1/32	TYPICAL TOLERANCES:	
±.0005	±.0005	±.0005	±.0005	±.0005	
±.0010	±.0010	±.0010	±.0010	±.0010	
±.0015	±.0015	±.0015	±.0015	±.0015	
±.0020	±.0020	±.0020	±.0020	±.0020	
±.0025	±.0025	±.0025	±.0025	±.0025	
±.0030	±.0030	±.0030	±.0030	±.0030	
±.0035	±.0035	±.0035	±.0035	±.0035	
±.0040	±.0040	±.0040	±.0040	±.0040	
±.0045	±.0045	±.0045	±.0045	±.0045	
±.0050	±.0050	±.0050	±.0050	±.0050	
±.0055	±.0055	±.0055	±.0055	±.0055	
±.0060	±.0060	±.0060	±.0060	±.0060	
±.0065	±.0065	±.0065	±.0065	±.0065	
±.0070	±.0070	±.0070	±.0070	±.0070	
±.0075	±.0075	±.0075	±.0075	±.0075	
±.0080	±.0080	±.0080	±.0080	±.0080	
±.0085	±.0085	±.0085	±.0085	±.0085	
±.0090	±.0090	±.0090	±.0090	±.0090	
±.0095	±.0095	±.0095	±.0095	±.0095	
±.0100	±.0100	±.0100	±.0100	±.0100	
±.0105	±.0105	±.0105	±.0105	±.0105	
±.0110	±.0110	±.0110	±.0110	±.0110	
±.0115	±.0115	±.0115	±.0115	±.0115	
±.0120	±.0120	±.0120	±.0120	±.0120	
±.0125	±.0125	±.0125	±.0125	±.0125	
±.0130	±.0130	±.0130	±.0130	±.0130	
±.0135	±.0135	±.0135	±.0135	±.0135	
±.0140	±.0140	±.0140	±.0140	±.0140	
±.0145	±.0145	±.0145	±.0145	±.0145	
±.0150	±.0150	±.0150	±.0150	±.0150	
±.0155	±.0155	±.0155	±.0155	±.0155	
±.0160	±.0160	±.0160	±.0160	±.0160	
±.0165	±.0165	±.0165	±.0165	±.0165	
±.0170	±.0170	±.0170	±.0170	±.0170	
±.0175	±.0175	±.0175	±.0175	±.0175	
±.0180	±.0180	±.0180	±.0180	±.0180	
±.0185	±.0185	±.0185	±.0185	±.0185	
±.0190	±.0190	±.0190	±.0190	±.0190	
±.0195	±.0195	±.0195	±.0195	±.0195	
±.0200	±.0200	±.0200	±.0200	±.0200	
±.0205	±.0205	±.0205	±.0205	±.0205	
±.0210	±.0210	±.0210	±.0210	±.0210	
±.0215	±.0215	±.0215	±.0215	±.0215	
±.0220	±.0220	±.0220	±.0220	±.0220	
±.0225	±.0225	±.0225	±.0225	±.0225	
±.0230	±.0230	±.0230	±.0230	±.0230	
±.0235	±.0235	±.0235	±.0235	±.0235	
±.0240	±.0240	±.0240	±.0240	±.0240	
±.0245	±.0245	±.0245	±.0245	±.0245	
±.0250	±.0250	±.0250	±.0250	±.0250	
±.0255	±.0255	±.0255	±.0255	±.0255	
±.0260	±.0260	±.0260	±.0260	±.0260	
±.0265	±.0265	±.0265	±.0265	±.0265	
±.0270	±.0270	±.0270	±.0270	±.0270	
±.0275	±.0275	±.0275	±.0275	±.0275	
±.0280	±.0280	±.0280	±.0280	±.0280	
±.0285	±.0285	±.0285	±.0285	±.0285	
±.0290	±.0290	±.0290	±.0290	±.0290	
±.0295	±.0295	±.0295	±.0295	±.0295	
±.0300	±.0300	±.0300	±.0300	±.0300	
±.0305	±.0305	±.0305	±.0305	±.0305	
±.0310	±.0310	±.0310	±.0310	±.0310	
±.0315	±.0315	±.0315	±.0315	±.0315	
±.0320	±.0320	±.0320	±.0320	±.0320	
±.0325	±.0325	±.0325	±.0325	±.0325	
±.0330	±.0330	±.0330	±.0330	±.0330	
±.0335	±.0335	±.0335	±.0335	±.0335	
±.0340	±.0340	±.0340	±.0340	±.0340	
±.0345	±.0345	±.0345	±.0345	±.0345	
±.0350	±.0350	±.0350	±.0350	±.0350	
±.0355	±.0355	±.0355	±.0355	±.0355	
±.0360	±.0360	±.0360	±.0360	±.0360	
±.0365	±.0365	±.0365	±.0365	±.0365	
±.0370	±.0370	±.0370	±.0370	±.0370	
±.0375	±.0375	±.0375	±.0375	±.0375	
±.0380	±.0380	±.0380	±.0380	±.0380	
±.0385	±.0385	±.0385	±.0385	±.0385	
±.0390	±.0390	±.0390	±.0390	±.0390	
±.0395	±.0395	±.0395	±.0395	±.0395	
±.0400	±.0400	±.0400	±.0400	±.0400	
±.0405	±.0405	±.0405	±.0405	±.0405	
±.0410	±.0410	±.0410	±.0410	±.0410	
±.0415	±.0415	±.0415	±.0415	±.0415	
±.0420	±.0420	±.0420	±.0420	±.0420	
±.0425	±.0425	±.0425	±.0425	±.0425	
±.0430	±.0430	±.0430	±.0430	±.0430	
±.0435	±.0435	±.0435	±.0435	±.0435	
±.0440	±.0440	±.0440	±.0440	±.0440	
±.0445	±.0445	±.0445	±.0445	±.0445	
±.0450	±.0450	±.0450	±.0450	±.0450	
±.0455	±.0455	±.0455	±.0455	±.0455	
±.0460	±.0460	±.0460	±.0460	±.0460	
±.0465	±.0465	±.0465	±.0465	±.0465	
±.0470	±.0470	±.0470	±.0470	±.0470	
±.0475	±.0475	±.0475	±.0475	±.0475	
±.0480	±.0480	±.0480	±.0480	±.0480	
±.0485	±.0485	±.0485	±.0485	±.0485	
±.0490	±.0490	±.0490	±.0490	±.0490	
±.0495	±.0495	±.0495	±.0495	±.0495	
±.0500	±.0500	±.0500	±.0500	±.0500	
±.0505	±.0505	±.0505	±.0505	±.0505	
±.0510	±.0510	±.0510	±.0510	±.0510	
±.0515	±.0515	±.0515	±.0515	±.0515	
±.0520	±.0520	±.0520	±.0520	±.0520	
±.0525	±.0525	±.0525	±.0525	±.0525	
±.0530	±.0530	±.0530	±.0530	±.0530	
±.0535	±.0535	±.0535	±.0535	±.0535	
±.0540	±.0540	±.0540	±.0540	±.0540	
±.0545	±.0545	±.0545	±.0545	±.0545	
±.0550	±.0550	±.0550	±.0550	±.0550	
±.0555	±.0555	±.0555	±.0555	±.0555	
±.0560	±.0560	±.0560	±.0560	±.0560	
±.0565	±.0565	±.0565	±.0565	±.0565	
±.0570	±.0570	±.0570	±.0570	±.0570	
±.0575	±.0575	±.0575	±.0575	±.0575	
±.0580	±.0580	±.0580	±.0580	±.0580	
±.0585	±.0585	±.0585	±.0585	±.0585	
±.0590	±.0590	±.0590	±.0590	±.0590	
±.0595	±.0595	±.0595	±.0595	±.0595	
±.0600	±.0600	±.0600	±.0600	±.0600	
±.0605	±.0605	±.0605	±.0605	±.0605	
±.0610	±.0610	±.0610	±.0610	±.0610	
±.0615	±.0615	±.0615	±.0615	±.0615	
±.0620	±.0620	±.0620	±.0620	±.0620	
±.0625	±.0625	±.0625	±.0625	±.0625	
±.0630	±.0630	±.0630	±.0630	±.0630	
±.0635	±.0635	±.0635	±.0635	±.0635	
±.0640	±.06				