

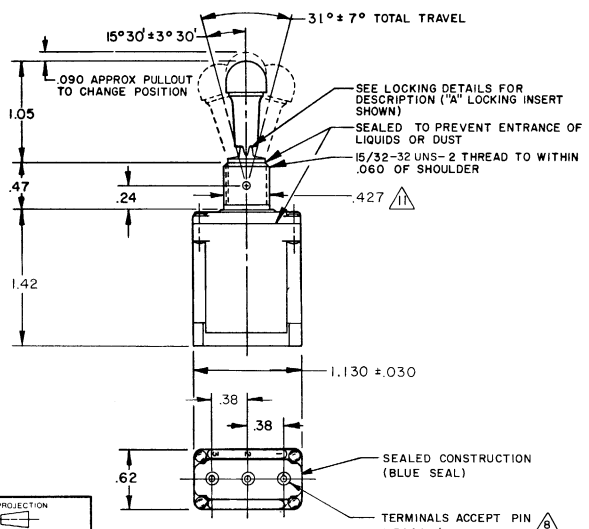
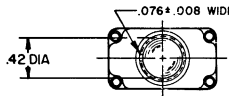
CATALOG LISTING  
 101TL1 SERIES CHART 2  
 ISSUE 12  
 REVISIONS  
 A NEW 07/18/80  
 B 03/27/81  
 C 04/03/82  
 D 05/03/86  
 E 06/07/84  
 F 08/06/84  
 G 05/27/88  
 H 09/22/87  
 J A K  
 10 FEB 88  
 DRAWN  
 D B W 21 JUN 79  
 CHECK  
 7  
 FORMTEK

**MICRO SWITCH**  
 FREEPORT, ILLINOIS, U.S.A.  
 A DIVISION OF HONEYWELL  
 FED. MFG. CODE 91929

**SWITCH-TOGGLE**

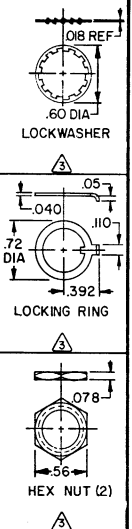
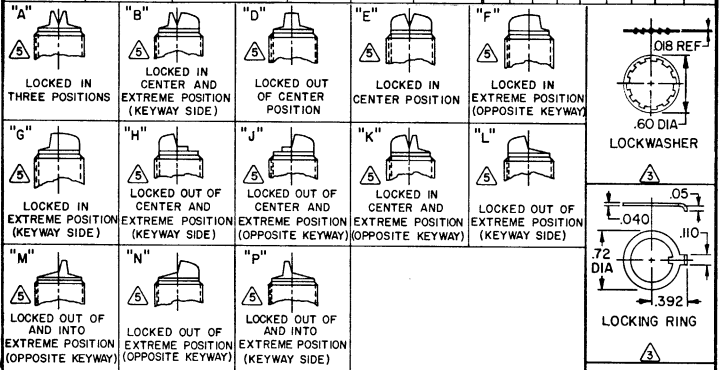
CATALOG LISTING  
**101TL1 SERIES**  
**CHART 2**

THIS DRAWING COVERS A PROPRIETARY ITEM AND IS THE PROPERTY OF MICRO SWITCH, A DIVISION OF HONEYWELL. THIS DRAWING IS NOT TO BE COPIED OR USED WITHOUT THE APPROVAL OF MICRO SWITCH.



THIRD ANGLE PROJECTION  
 SCALE FULL  
 DO NOT SCALE PRINT  
 TOLERANCES  
 APPLY TO DIMENSIONS UNLESS OTHERWISE SPECIFIED  
 DIMENSIONS ARE TO BE MET BEFORE PROTECTIVE COATING IS APPLIED  
 DESIGN UNITS  
 IN METRIC  IN US CUSTOMARY   
 RAW MATERIAL—COMMERCIAL STANDARD  
 MICRO SWITCH STANDARDS APPLY  
 DIMENSIONS ARE TO BE MET BEFORE PROTECTIVE COATING IS APPLIED  
 WEIGHT

MILITARY STANDARD PART NUMBER	CATALOG LISTING	AVAILABLE LOCKING COMBINATIONS FOR CONFIGURATION SEE LETTERED DETAILS	CIRCUIT MADE WITH TOGGLE LEVER IN			CURRENT CAPACITY (AMPS)								
			KEYWAY SIDE (1-2)	CENTER (1-2)	OPPOSITE KEYWAY (2-3)	RESISTIVE LOAD DC VOLTS / AC VOLTS		LAMP LOAD VDC / VAC		INDUCTIVE LOAD VDC / VAC				
MS 27781-21	101TL1-1	A,B,D,E,F,G,H,K,L,M,N,P	ON	OFF	ON	20	75	.5	15	6	5	3	15	10
MS 27781-22	101TL1-2	D,F,G	OFF	NONE	ON									
MS 27781-23	101TL1-3	D,F,G	ON	NONE	ON									
MS 27781-24	101TL1-21	E,F,K,M	NONE	OFF	ON									
MS 27781-25	101TL1-31	E,F,K,M	NONE	ON	ON	15	75	.5	15	6	4	2	10	7
MS 27781-29	101TL1-4	F	MOM OFF	NONE	ON									
MS 27781-31	101TL1-5	E,F,K,L,M,N	MOM ON	OFF	ON									
MS 27781-30	101TL1-6	F	MOM ON	NONE	OFF									
MS 27781-27	101TL1-7	E,L,N	MOM ON	OFF	MOM ON	15	75	.5	15	6	4	2	10	7
MS 27781-26	101TL1-8	F	MOM ON	NONE	ON									
MS 27781-32	101TL1-51	E	NONE	ON	MOM ON	15	75	.5	15	6	4	2	10	7
MS 27781-28	101TL1-61	E	MOM ON	OFF	NONE									



NOTES:  
 1 - SWITCHES ARE CAPABLE OF WITHSTANDING A TEMPERATURE OF 160°F CONTINUOUSLY AT FULL RATED LOAD  
 2 - CIRCUIT DESIGNATION, MICRO SWITCH CATALOG LISTING, DATE CODE AND MS NUMBER IDENTIFIED ON SIDE OF SWITCH FURNISHED UNASSEMBLED  
 4 - FOR TERMINAL COVER, SEE MICRO SWITCH CATALOG LISTING 5PA7  
 KEYWAY SHOWN ON LEFT SIDE  
 SUFFIX LETTER MUST BE ADDED FOR DESIRED TYPE OF TOGGLE LOCKING. SEE CHART FOR AVAILABLE LOCKING COMBINATIONS  
 APPLIES ONLY TO "ON" AND "MOMENTARY ON" POSITIONS THE SEALING GROMMET SHALL SEAL ON A SMOOTH WIRE INSULATION OF .068 TO .103 DIAMETERS (14-16 GAGE)  
 9 UNUSED TERMINAL HOLES MAY BE SEALED WITH PLUGS M83723/28-16  
 10 THESE SWITCHES ARE QUALIFIED UNDER MIL-S-3950 FROM BOTTOM OF KEYWAY TO MAJOR DIA. OF 15/32 THREAD