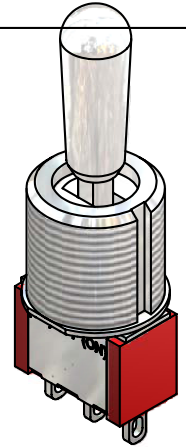
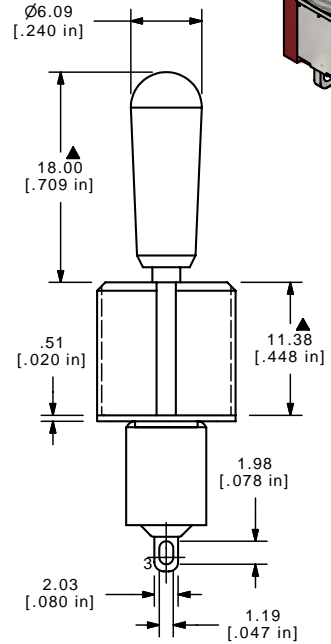
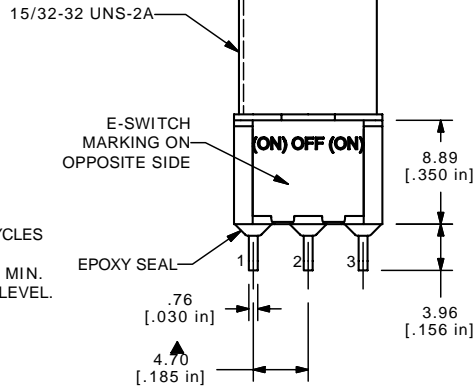
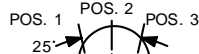
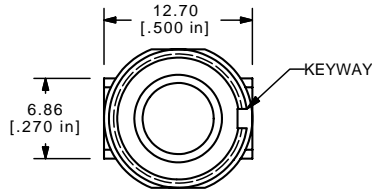
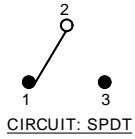


| SWITCH FUNCTION |        |        |
|-----------------|--------|--------|
| POS. 1          | POS. 2 | POS. 3 |
|                 |        |        |
| (ON)            | OFF    | (ON)   |
| 2-3             | OPEN   | 2-1    |

(ON) = MOMENTARY



NOTE:

1. ALL DIMENSIONS IN MM [INCH]
2. GENERAL TOLERANCE: X.X=±0.4  
X.XX=±0.25
3. TERMINAL NUMBERS FOR REF ONLY
- ▲ 4. CONTACT MATERIAL: GOLD
5. RATING: 0.4VA @ 20 VAC OR VDC MAX.
6. ELECTRIC LIFE: 40,000 MAKE-AND-BREAK CYCLES AT FULL LOAD.
7. INSULATION RESISTANCE: 1,000 MEGA-OHM MIN.
8. DIELECTRIC STRENGTH: 1,000 V RMS @SEA LEVEL.
9. OPERATING TEMP.: -30° C to 85°C
10. ▲ DENOTES CRITICAL PARAMETER.
11. 2002/95/EC (ROHS) COMPLIANT
12. HARDWARE TO BE SHIPPED BULK:  
T100012 - LOCK WASHER (1)  
T100003 - LOCK RING (1)  
T100004 - HEX NUT (2)

**E-SWITCH®**

TITLE 100SP4T8B13M1REH

|     |        |                         |         |    |
|-----|--------|-------------------------|---------|----|
| A   | 16395  | RELEASED FOR PRODUCTION | 8/30/06 | BO |
| REV | PCR NO | DESCRIPTION             | DATE    | BY |

THE INFORMATION CONTAINED IN THIS DOCUMENT IS PROPRIETARY TO E-SWITCH AND IS NOT TO BE COPIED OR TRANSFERRED

|           |                |       |              |       |
|-----------|----------------|-------|--------------|-------|
| SCALE 2:1 | DATE 8/30/2006 | DR BO | DWG ST114041 | REV A |
|-----------|----------------|-------|--------------|-------|