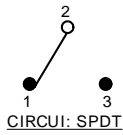
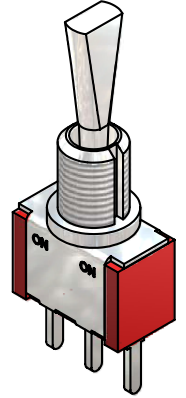
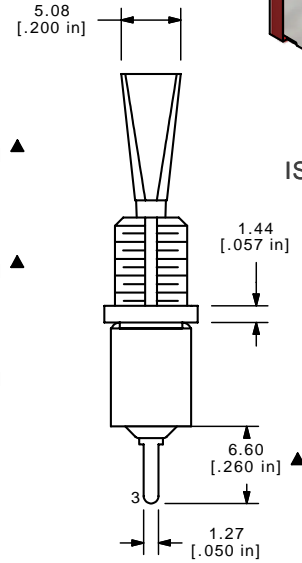
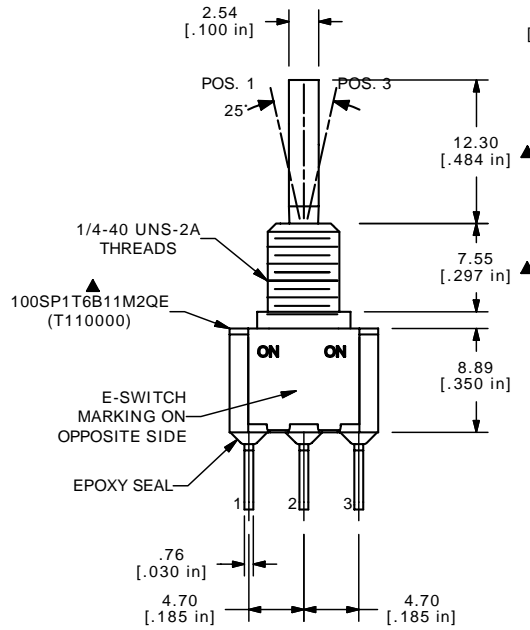
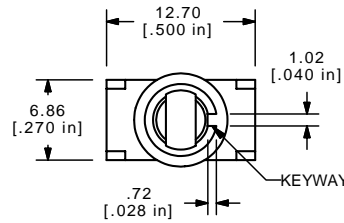


SWITCH FUNCTION		
POS. 1	POS. 2	POS. 3
ON	NONE	ON
2-3	OPEN	2-1



- NOTE:
1. ALL DIMENSIONS IN MM [INCH]
  2. GENERAL TOLERANCE: X.X=±0.4  
X.XX=±0.25
  3. TERMINAL NUMBERS FOR REF ONLY
  - ▲4. PLATING MATERIAL: SILVER
  5. RATING: 5A @120VAC OR 28VDC  
2A @250VAC
  6. ELECTRIC LIFE: 40,000 MAKE-AND-BREAK CYCLES AT FULL LOAD.
  7. INSULATION RESISTANCE: 1,000 MEGA-OHM MIN.
  8. DIELECTRIC STRENGTH: 1,000 V RMS @SEA LEVEL.
  9. OPERATING TEMP.: -30°C to 85°C
  - ▲10. HARDWARE TO BE SHIPPED BULK  
T100000 - HEXNUT - QTY 2  
T100011 - LOCKWASHER - QTY 1  
T100015 - LOCKRING - QTY 1
  11. 2002/95/EC (ROHS) COMPLIANT
  12. ▲ DENOTES CRITICAL PARAMETER.



ISOMETRIC

D	17448	FIXED TERMINAL TO BE 6.60	7/9/07	TN
C	15542	CHANGED HEIGHT OF BODY	11/17/05	PH
B	15426	CHANGED HEIGHT ON TOGGLE FROM 12.7	10/26/05	PH
A	15385	RELEASED FOR PRODUCTION	10/13/05	PH
REV	PCR NO	DESCRIPTION	DATE	BY

THE INFORMATION CONTAINED IN THIS DOCUMENT IS PROPRIETARY TO E-SWITCH AND IS NOT TO BE COPIED OR TRANSFERRED



TITLE 100SP1T6B11M2QEH

SCALE 2:1

DATE 7/9/2007

DR TN

DWG ST110000

REV D