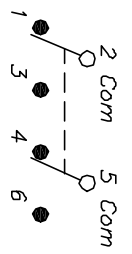


RECOMMENDED P.C.B. LAYOUT

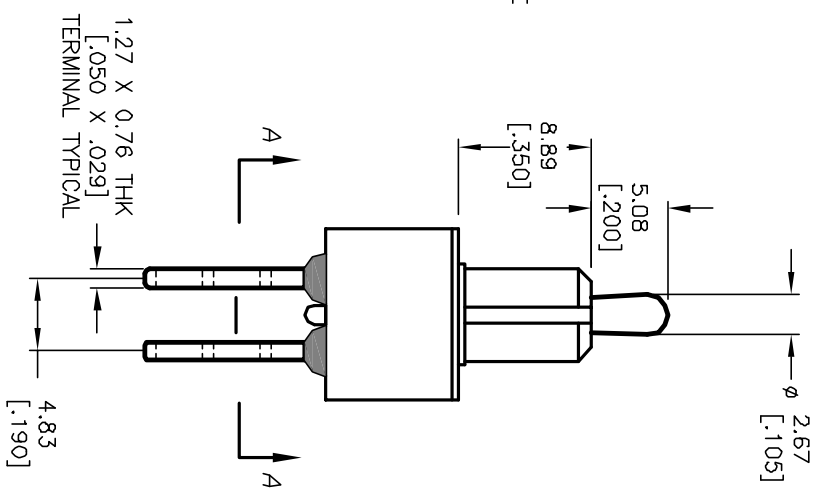
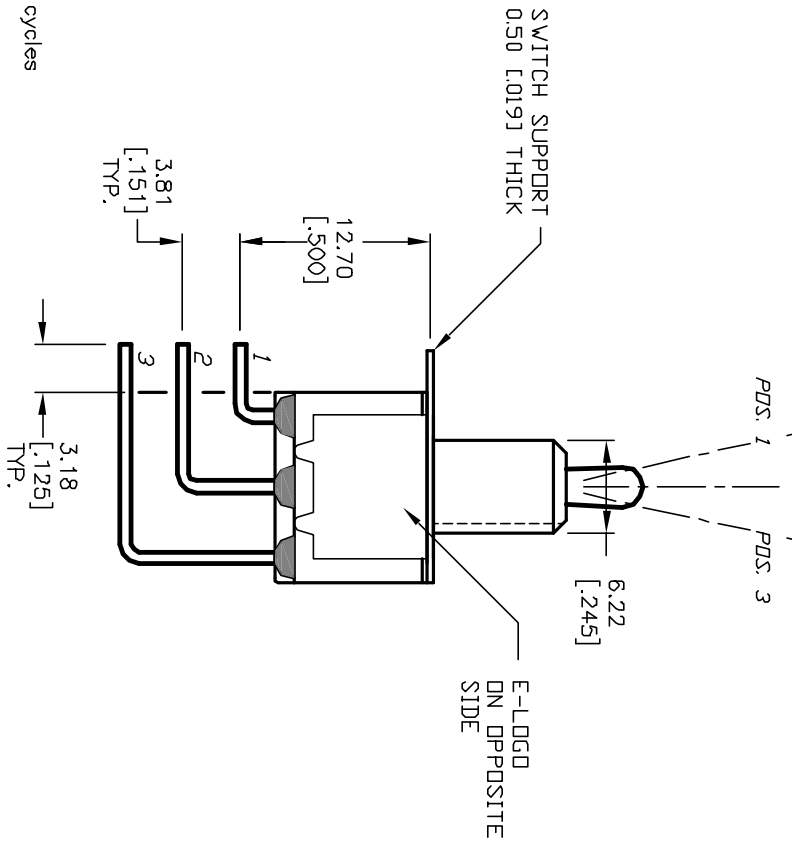
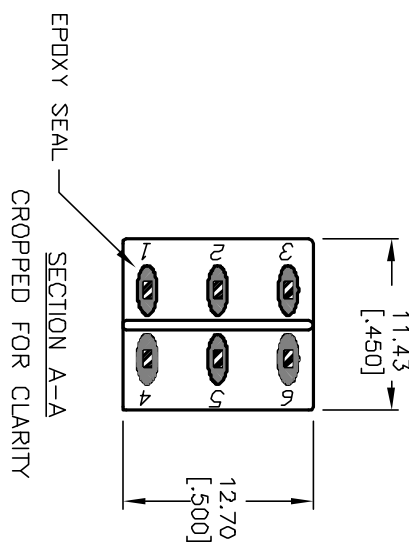
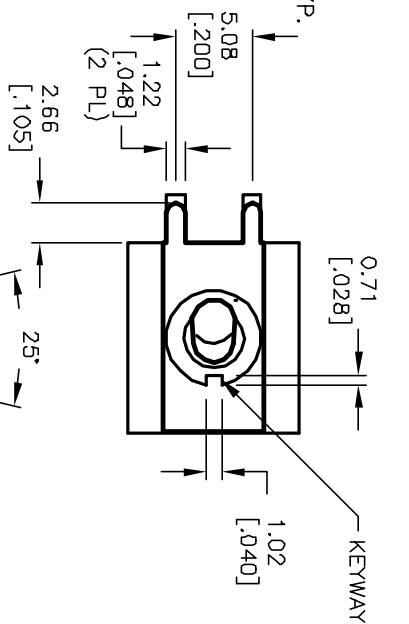


CIRCUIT: DPDT CONTACT CONFIGURATION

SWITCH FUNCTION		
PDS. 1	PDS. 2	PDS. 3
DN	DIFF	DN
2-3,5-6	DPEN	2-1,5-4

NOTES:

1. ALL DIMENSIONS IN MM [INCH]
2. GENERAL TOLERANCE: X.X=±0.4  
X.XX=±0.25
3. TERM. NOS. FOR REF. ONLY
4. RATING: 0.4VA @20V AC/DC max.
5. FIXED TERM. & MOVING CONTACT:  
Copper Alloy W/GOLD plate over  
Nickel plate.
6. ELECTRICAL LIFE: 50,000 make-and-break cycles at full load.
7. INSULATION RESISTANCE: 1,000M ohm min.
8. DIELECTRIC STRENGTH: 1,000V RMS @sea level.
9. OPERATING TEMP.: -30°C to +85°C.



A		12500	RELEASED FOR PRODUCTION	10/22/02	CJB	TITLE	100 DP-3 T2 B2 M7 R E (GOLD CONTACTS)			SCALE	2:1	DATE	10/22/02	DR	CJB	DWG	T123211	REV	A
REV.	ECN NO.	DESCRIPTION		DATE	CHKD	THE INFORMATION CONTAINED IN THIS DOCUMENT IS PRELIMINARY AND IS SUBJECT TO CHANGE WITHOUT NOTICE. THIS DOCUMENT IS NOT TO BE COPIED OR TRANSMITTED.													