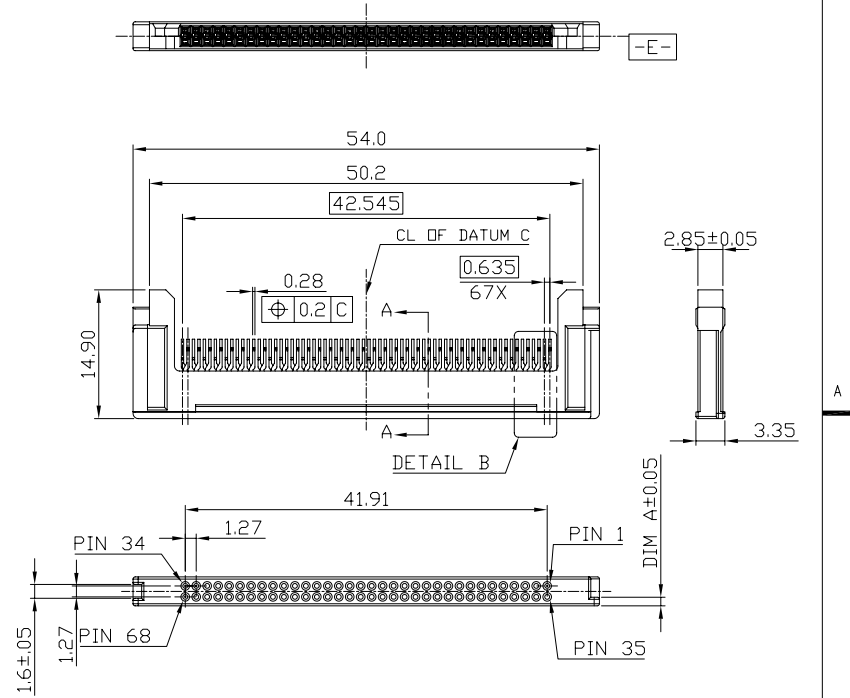


Tous droits strictement réservés. Reproduction ou communication à des tiers interdite sous quelque forme que ce soit sans autorisation écrite du propriétaire. Propriété de c FCI. Droits de reproduction FCI.



All rights strictly reserved. Reproduction or issue to third parties in any form whatever is not permitted without written authority from the proprietor. Property of FCI. Copyright FCI.

PRODUCT NO.	DIM A	VOLTAGE KEY	BOARD OFFSET DIM C	PACKING
10014744				
-002 (-N02)	1.0	5.0V	0.3	SEE NOTE 5 FOR DETAIL DESCRIPTION
-003 (-N03)	1.0	5.0V	0	
-004 (-N04)	1.0	5.0V	-0.3	
-006 (-N06)	2.1	3.3V	0.3	
-007 (-N07)	2.1	3.3V	0	
-008 (-N08)	2.1	3.3V	-0.3	
-011 (N11)	1.0	5.0V	0.6	
-012 (-N12)	2.1	3.3V	0.6	
-013 (-N13)	1.0	5.0V	-0.6	
-014 (-N14)	2.1	3.3V	-0.6	
-015 (-N15)	1.0	5.0V	-0.8	
-021 (-N21)	1.0	5.0V	0	
SEE NOTE 6 FOR -NXX DETAIL				
SEE NOTE 7 FOR LEAD FREE DETAIL				
(NOTE: -021 & -N21 IS REVERSED TYPE)				

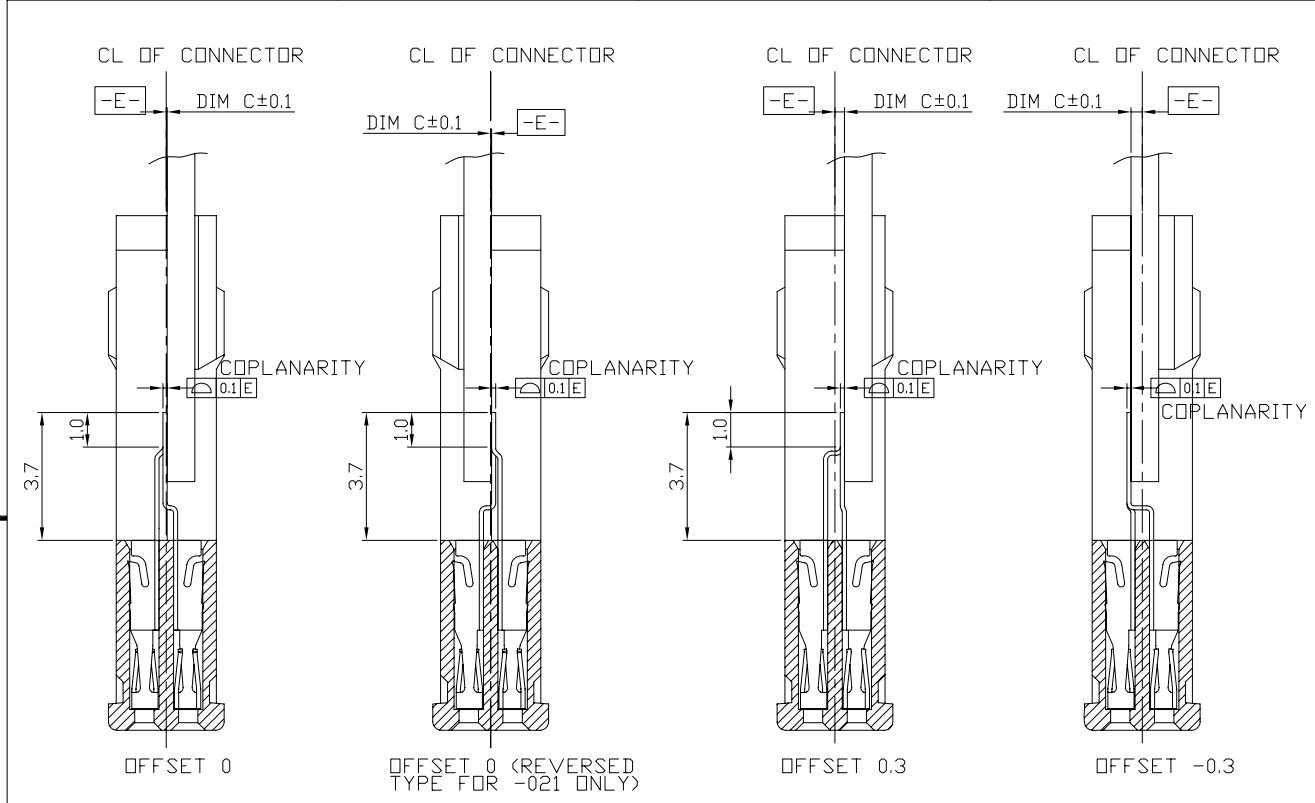


mat'l. code				tolerances unless otherwise specified				CUSTOMER COPY		FCI	
ltr	ecn no	dr	date					www.fciconnect.com			
H	bc08-0116	NZ	05/27/08	linear	.X ±.3	projection		title		68PIN PCMCIA RECEPTACLE ASS'Y	
					.XX ±.13	MM		product family		PCMCIA	
					.XXX ±.050	1:1		size		A3	
C	T03-0099	TAI	03/21/03	angles	0° ±2°	scale		dwg no		10014744	
D	T03-0186	TAI	05/21/03	dr	KENNY TAI 12/17/02	1:1		sheet		1 of 4	
E	T03-0332	TAI	07/22/04	enrg	KENNY TAI 12/17/02	1:1		revision		1 of 4	
F	T03-0358	TAI	08/23/04	chr	KENNY TAI 12/17/02	1:1		sheet		1 of 4	
G	bc06-0154	CS	04/06/06	appd	PAUL WANG 12/17/02	1:1		sheet		1 of 4	
sheet index	revision sheet	H	H	H	H			cage code		22526	

Tous droits strictement réservés. Reproduction ou communication à des tiers interdite sous quelque forme que ce soit sans autorisation écrite du propriétaire. Propriété de c FCI. Droits de reproduction FCI.



All rights strictly reserved. Reproduction or issue to third parties in any form whatever is not permitted without written authority from the proprietor. Property of FCI. Copyright FCI.



mat'l. code				tolerances unless otherwise specified		CUSTOMER COPY		www.fciconnect.com	
ltr	ecn no	dr	date	linear	.X ±.3	projection	title	product family	code
H					.XX ±.13		68PIN PCMCIA RECEPTACLE ASS'Y	PCMCIA	-
				angles	.XXX ±.050			MM	size
				dr	0° ±2°	scale	A3	10014744	2 of
				enr		1:1			
				chr	KENNY TAI 12/17/02				
				appd	PAUL WANG 12/17/02				
sheet index	revision sheet							cage code	
								22526	

ACAT

PDM: Rev:H

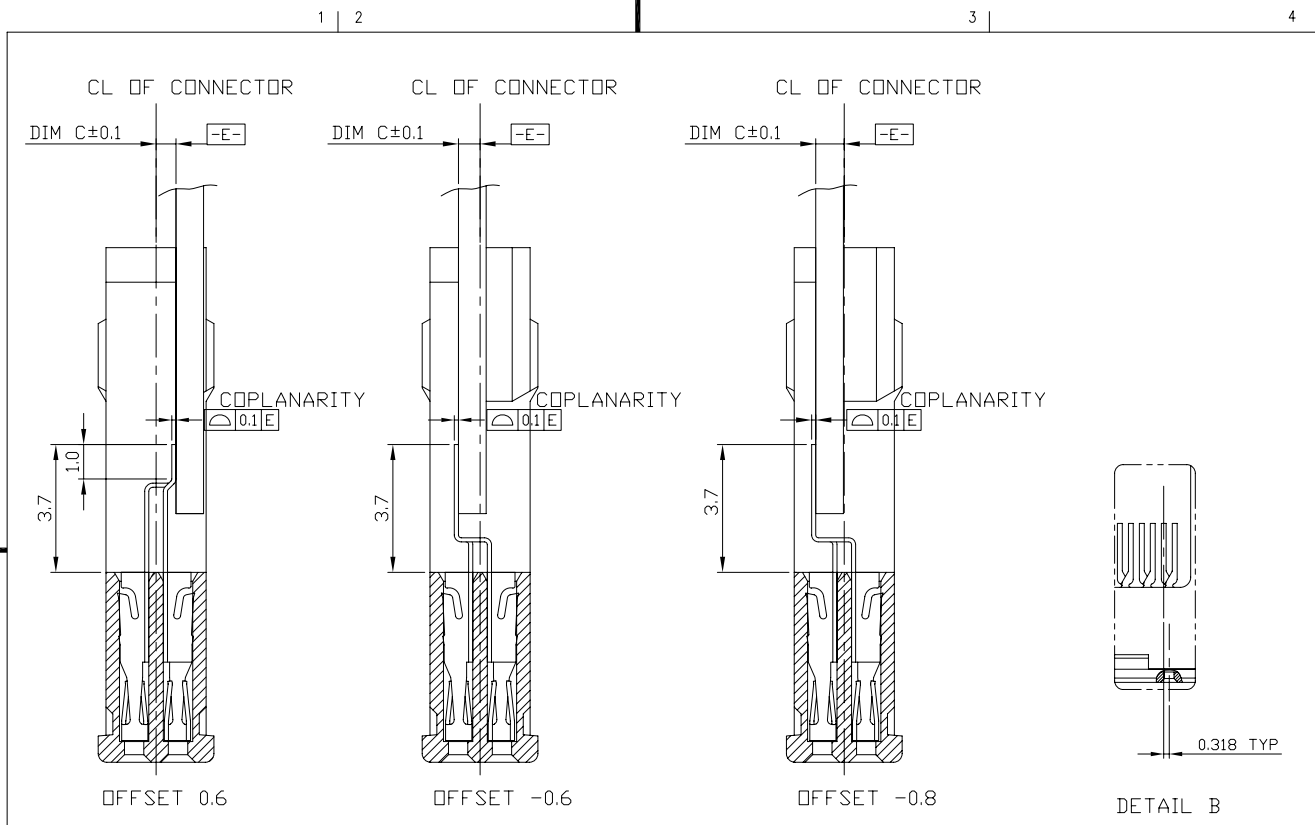
STATUS: Released

Printed: Jun 07, 2008

Tous droits strictement réservés. Reproduction ou communication à des tiers interdite sous quelque forme que ce soit sans autorisation écrite du propriétaire. Propriété de c FCI. Droits de reproduction FCI.



All rights strictly reserved. Reproduction or issue to third parties in any form whatever is not permitted without written authority from the proprietor. Property of FCI. Copyright FCI.

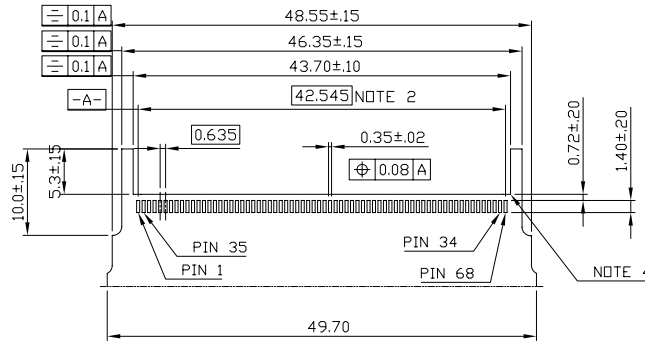


mat'l. code				tolerances unless otherwise specified		CUSTOMER COPY		www.fciconnect.com		
ltr	ecn no	dr	date	linear	.X ±.3	projection		title		
H					.XX ±.13			68PIN PCMCIA RECEPTACLE ASS'Y		
				angles	.XXX ±.050			product family PCMCIA code -		
				dr	0° ±2°	MM	←	size	dwg no	
				enr		scale	1:1	A3	10014744	
				chr	KENNY TAI 12/17/02				sheet 3 of	
				appd	KENNY TAI 12/17/02					
					PAUL WANG 12/17/02					
sheet index	revision sheet									

Tous droits strictement réservés. Reproduction ou communication à des tiers interdite sous quelque forme que ce soit sans autorisation écrite du propriétaire. Propriété de c FCI. Droits de reproduction FCI.




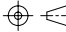
All rights strictly reserved. Reproduction or issue to third parties in any form whatever is not permitted without written authority from the proprietor. Property of FCI. Copyright FCI.



RECOMMENDED P.C.B. LAYOUT

NOTE:

- MATERIAL:
CONTACT: PHBR 0.12t
HOUSING: LCP UL94V-0 (BLACK COLOR: -XXX; NATURAL COLOR: -NXX)
FINISH:
CONTACT: ALL OVER--- Ni UNDER 0.5 MICRON THK.
CONTACT AREA--- Au or GXT 0.38 MICRON THK. 
SOLDER TAIL---TIN LEAD 2.5 MICRON THK.
- MAXIMUM PCB BOW ON THIS DIMENSION IS 0.1mm.
- PACKING SPEC. REFER TO GS-14-723.
- ELIMINATE THE CORNER TO PREVENT INTERFERENCE WITH SOLDER TAIL.
- XXX (-NXX) USE STD. PACKAGE, 1872 PCS / CARTON;
-XXXT (-NXXT) USE TAPE AND REEL, 750 PCS / REEL;
-XXXS (-NXXS) USE STD. PACKAGE, 200 PCS / CARTON;
-XXXX (-NXXX) USE TAPE AND REEL, 600 PCS / REEL.
-NXX USE NATURAL COLOR HOUSING. EX. -N02 IS THE SAME WITH -002 EXCEPT NATURAL COLOR.
- XXXXLF IS LEAD FREE PLATING. SOLDER TAIL IS PLATED TIN 2.5 MICRON.
- PRODUCT SPEC. REFER TO GS-12-228.

mat'l. code				tolerances unless otherwise specified		CUSTOMER COPY		FCI	
ltr	ecn no	dr	date	linear	.X ±.3	projection	title	www.fciconnect.com	
H					.XX ±.13		68PIN PCMCIA RECEPTACLE ASS'Y		
				angles	.XXX ±.050			product family	PCMCIA
				dr	0° ±2°	MM	size		
				enr		scale	dwg no		
				chr	KENNY TAI 12/17/02	1:1	10014744	sheet	
				appd	PAUL WANG 12/17/02			4 of	
sheet index	revision sheet								

cage code 22526

ACAT

PDM: Rev:H

STATUS Released

Printed: Jun 07, 2008