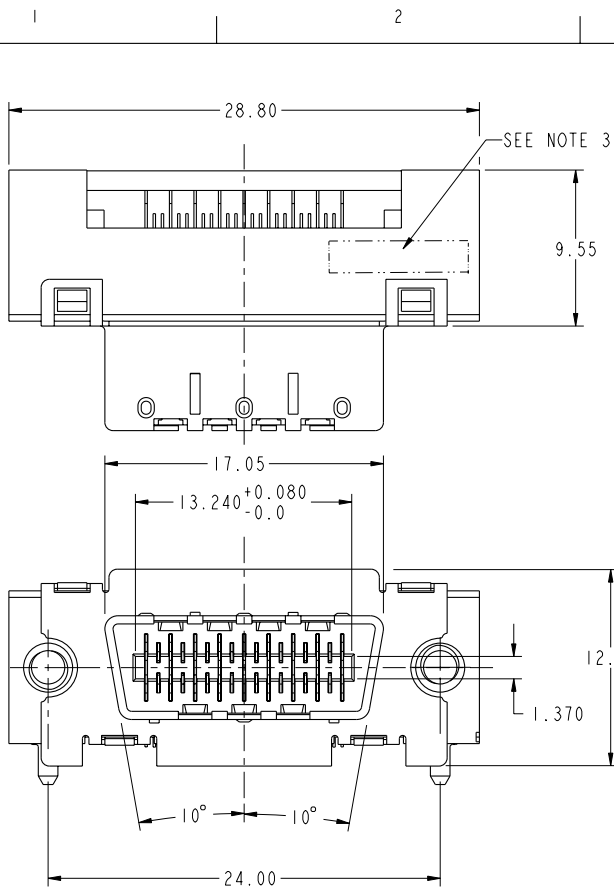
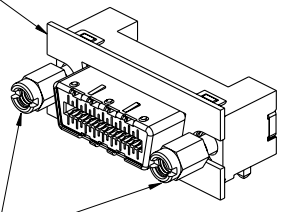




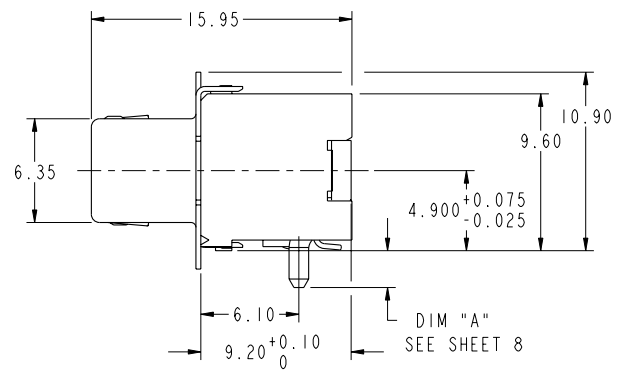
Copyright FCI.



AVAILABLE WITH OR WITHOUT EMI GASKET.  
 FOAM GASKET P/N 10019396-001 CAN BE PURCHASED SEPARATELY.  
 METAL GASKET P/N 10043517 MUST BE PURCHASED ALREADY ASSEMBLED.



P/N 10009634-001, 2X THREADED STANDOFFS SOLD SEPARATELY



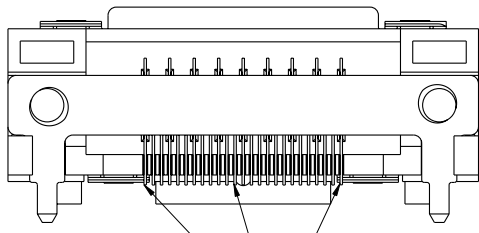
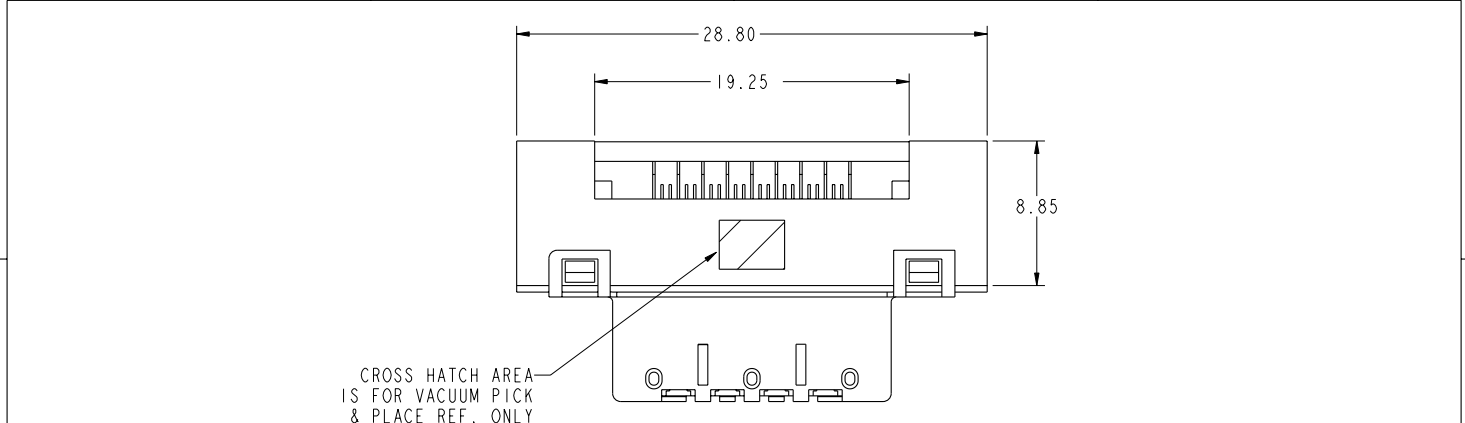
rev	ecn no	dr	date
D	V04-0460	DAI	2004/06/08
E	V04-0830	TAB	2004/08/18
F	V04-1005	DAI	2004/10/06
G	V05-0063	TAB	2005/02/14
H	105-0141	HVN	2005/08/12
J	06-0123	HVN	2006/07/26
K	08-0048	RPK	2008/03/28

www.fciconnect.com		surface 3.2 / ASME Y14.5	tolerance std ASME Y14.5	projection	MM
Dr G. PETERS 2003/08/13		ANGULAR	0.X ±.30	size A4	Scale 3:1
Eng D. BRANN 2003/08/13		LINEAR	0.XX ±.10	ECN 108-0048	
Chr RAMESH P K 2008/03/27		0° ±2°	0.XXX ±.050	Spec ref	
Appr RAMESH P K 2008/03/27		Product family EyeMax (Im)			
FCI		4X R/A THUMBSCREW RECPT ASSEMBLY, w/ 7 KEY SLOTS		diag no 10009629	Rev. K
catalog no		CUSTOMER		sheet 1 of 9	

REV F - 2004-04-17

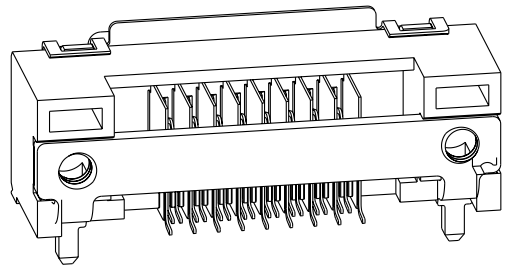


Copyright FCI.



0.13 D

COPLANARITY MEASUREMENT TO BE TAKEN AT THE BOTTOM MOST POINT ON CONTACT TAILS  
COPLANARITY ZONE IS BELOW DATUM D.

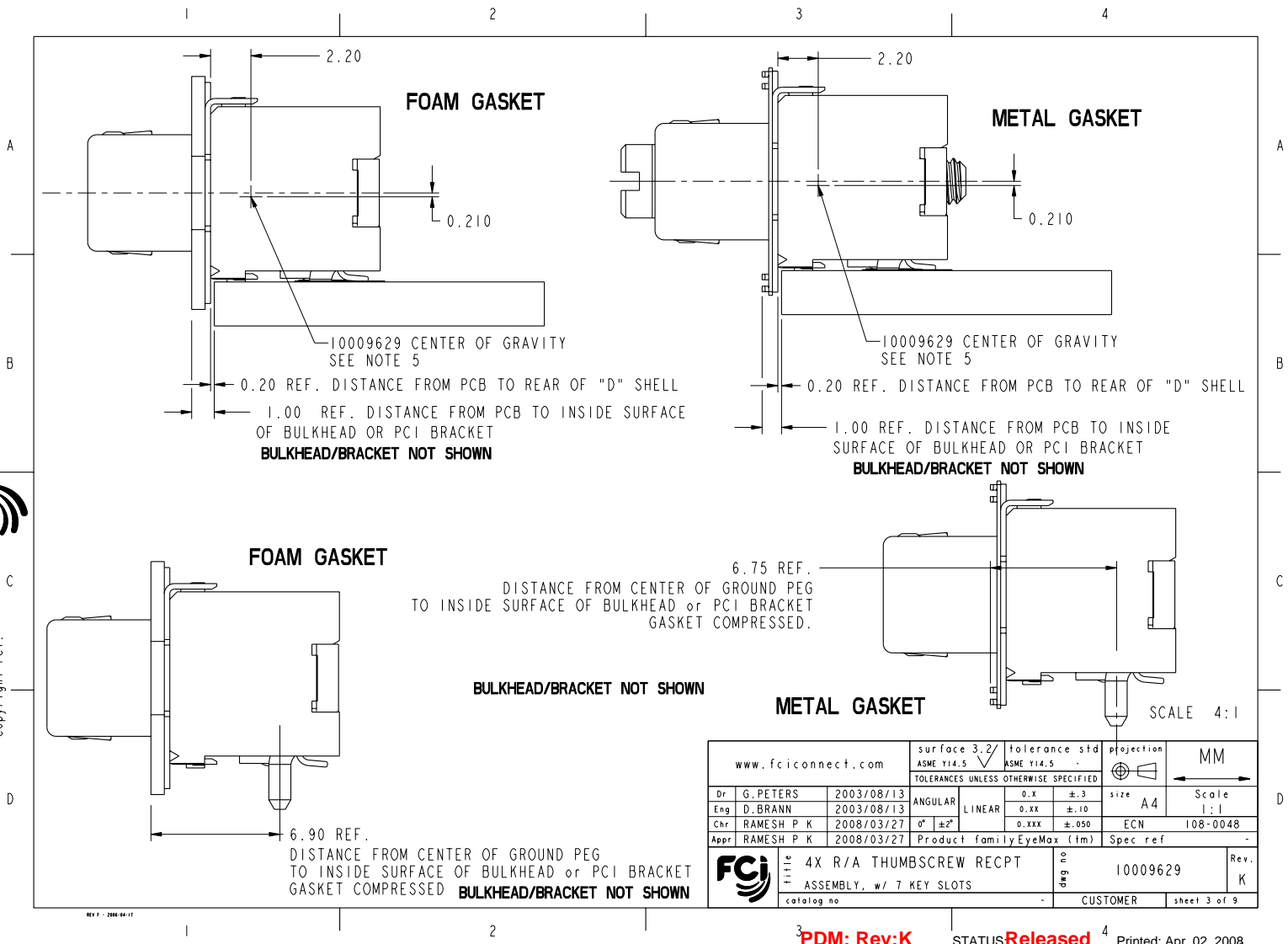


www.fciconnect.com		surface 3.2 ASME Y14.5	tolerance std ASME Y14.5	projection MM
		TOLERANCES UNLESS OTHERWISE SPECIFIED		← →
Dr	G. PETERS	2003/08/13	ANGULAR	0.X ±.30
Eng	D. BRANN	2003/08/13	LINEAR	0.XX ±.10
Chr	RAMESH P K	2008/03/27	0° ±2°	0.XXX ±.050
Appr	RAMESH P K	2008/03/27	Product family	EyeMax (Im)
				Spec ref
<b>4X R/A THUMBSCREW RECPT ASSEMBLY, w/ 7 KEY SLOTS</b>				10009629 Rev. K
catalog no				CUSTOMER
				sheet 2 of 9

REV F - 2006-06-17



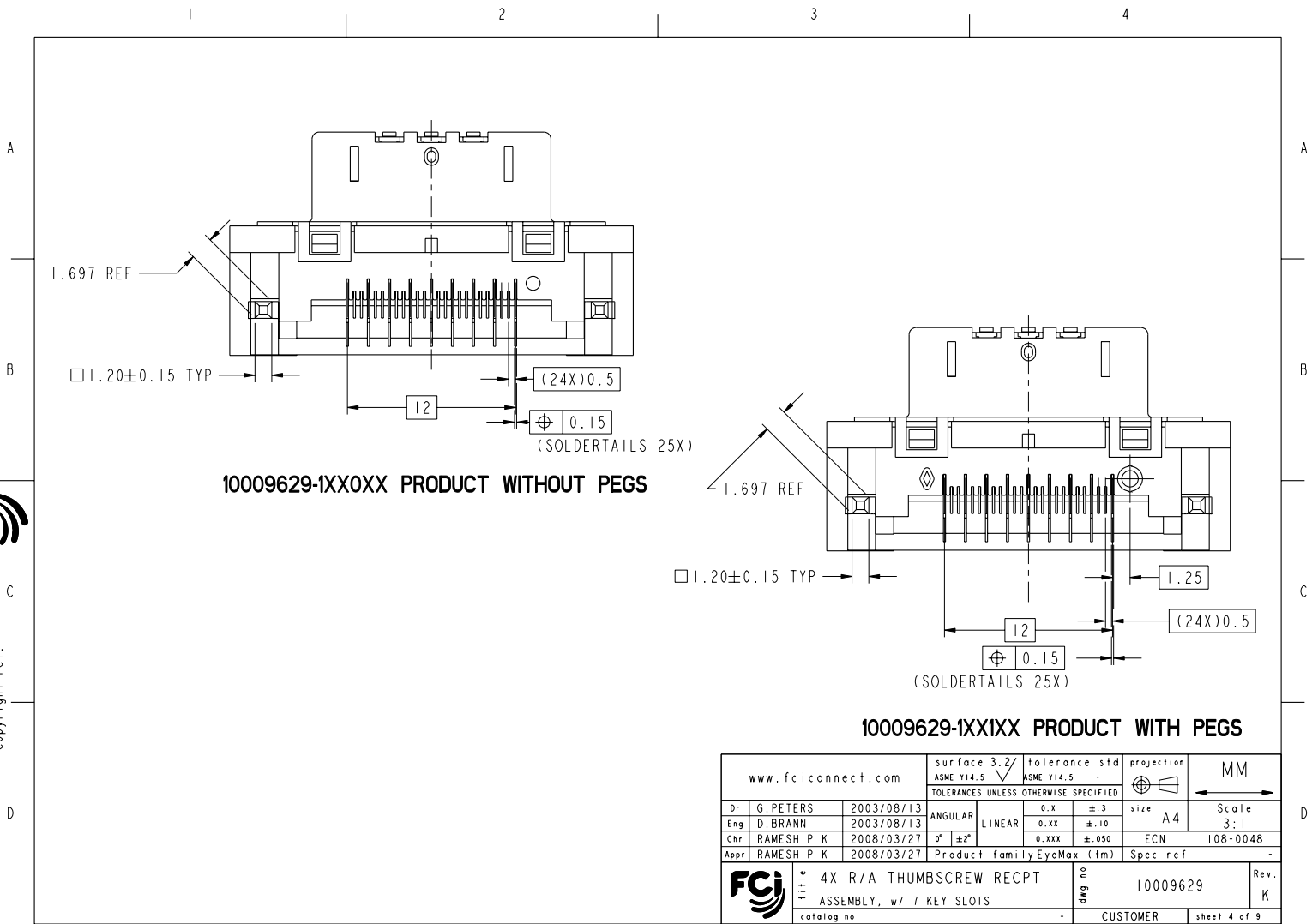
Copyright FCI.



www.fciconnect.com		surface 3.2 ASME Y14.5	tolerance std ASME Y14.5	projection MM	Scale 1:1
		TOLERANCES UNLESS OTHERWISE SPECIFIED		size A4	ECN 108-0048
Dr	G. PETERS	2003/08/13	ANGULAR	0.X ±.3	
Eng	D. BRANN	2003/08/13	LINEAR	0.XX ±.10	
Chr	RAMESH P K	2008/03/27	0° ±2°	0.XXX ±.050	
Appr	RAMESH P K	2008/03/27	Product family	EyeMax (Im)	Spec ref -
FCI		4X R/A THUMBSCREW RECPT ASSEMBLY, w/ 7 KEY SLOTS		10009629	Rev. K
catalog no		-		CUSTOMER	sheet 3 of 9



Copyright FCI.



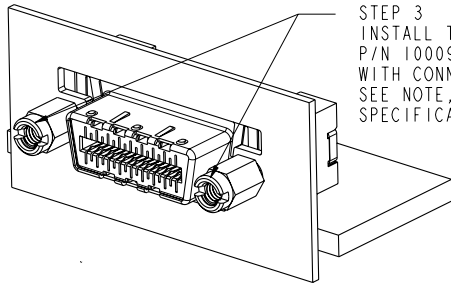
REV F - 2006-03-17

www.fciconnect.com		surface 3.2 ASME Y14.5	tolerance std ASME Y14.5	projection MM
TOLERANCES UNLESS OTHERWISE SPECIFIED				
Dr G. PETERS	2003/08/13	ANGULAR	0.X ±.3	size A4
Eng D. BRANN	2003/08/13	LINEAR	0.XX ±.10	Scale 3:1
Chr RAMESH P K	2008/03/27	0° ±2°	0.XXX ±.050	ECN 108-0048
Appr RAMESH P K	2008/03/27	Product family EyeMax (Im)	Spec ref	-
	title 4X R/A THUMBSCREW RECPT ASSEMBLY, w/ 7 KEY SLOTS	cat no	10009629	Rev. K
		CUSTOMER		sheet 4 of 9

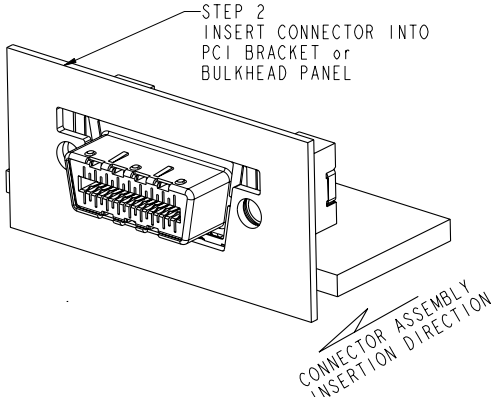
3 PDM: Rev:K STATUS Released 4 Printed: Apr 02, 2008



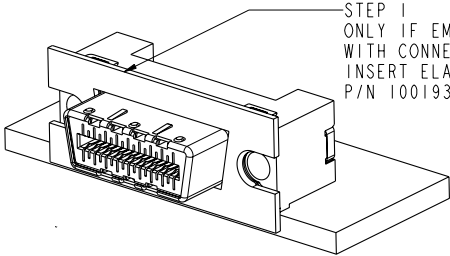
Copyright FCI.



STEP 3  
INSTALL THREADED STANDOFFS  
P/N 10009634-001, NOT SUPPLIED  
WITH CONNECTOR ASSEMBLY  
SEE NOTE, SHEET 8, FOR TORQUE  
SPECIFICATION.

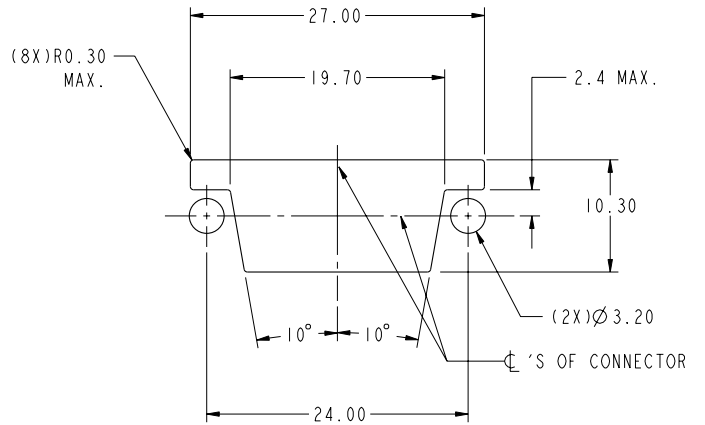


STEP 2  
INSERT CONNECTOR INTO  
PCI BRACKET or  
BULKHEAD PANEL



STEP 1  
ONLY IF EMI GASKET NOT SUPPLIED  
WITH CONNECTOR ASSEMBLY,  
INSERT ELASTOMERIC EMI GASKET,  
P/N 10019396-001.

CONNECTOR APPLICATION TO PCI BRACKET/PANEL



RECOMMENDED PANEL CUTOUT

www.fciconnect.com			surface 3.2/ ASME Y14.5	tolerance std ASME Y14.5	projection MM
			TOLERANCES UNLESS OTHERWISE SPECIFIED		← →
Dr	G. PETERS	2003/08/13	ANGULAR	0.X ±.30	size A4 Scale 1:1
Eng	D. BRANN	2003/08/13	LINEAR	0.XX ±.10	ECN 108-0048
Chr	RAMESH P K	2008/03/27	0° ±2°	0.XXX ±.050	Spec ref -
Appr	RAMESH P K	2008/03/27	Product family EyeMax (Im)		
FCI			4X R/A THUMBSCREW RECPT ASSEMBLY, w/ 7 KEY SLOTS		Rev. K
catalog no			-		10009629
			CUSTOMER		sheet 5 of 9

3 PDM: Rev:K

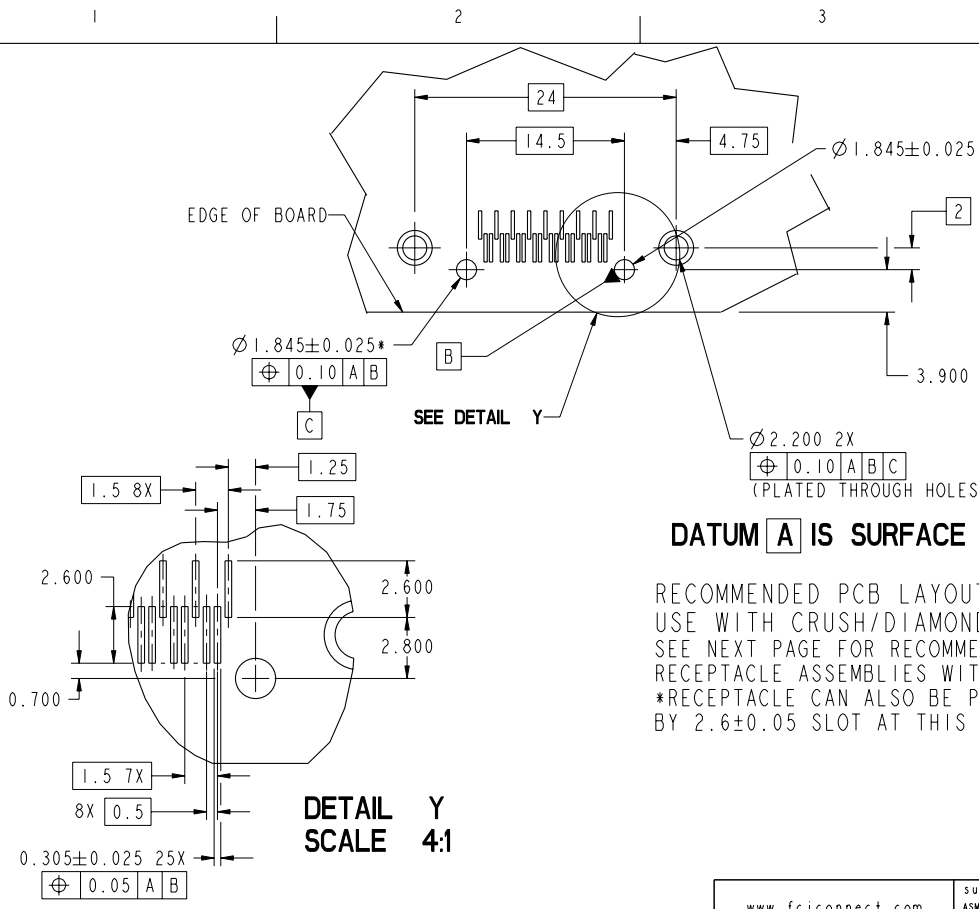
STATUS Released

4 Printed: Apr 02, 2008

REV F - 2006-03-17



Copyright FCI.



DATUM **A** IS SURFACE OF PCB

RECOMMENDED PCB LAYOUT, COMPONENT SIDE FOR USE WITH CRUSH/DIAMOND PEGS (10009629-1XX1XX) SEE NEXT PAGE FOR RECOMMENDED PCB LAYOUT FOR RECEPTACLE ASSEMBLIES WITHOUT CRUSH/DIAMOND PEGS. \*RECEPTACLE CAN ALSO BE PLACED WITH 1.82±0.05/-0.0 BY 2.6±0.05 SLOT AT THIS LOCATION ON THE PCB

DETAIL Y  
SCALE 4:1

www.fciconnect.com		surface 3.2/ ASME Y14.5	tolerance std ASME Y14.5	projection MM
Dr G. PETERS 2003/08/13		TOLERANCES UNLESS OTHERWISE SPECIFIED		size A4
Eng D. BRANN 2003/08/13		ANGULAR	LINEAR	Scale 1:1
Chr RAMESH P K 2008/03/27		0° ±2°	0.X ±.30 0.XX ±.10 0.XXX ±.050	ECN 108-0048
Appr RAMESH P K 2008/03/27		Product family EyeMax (Im)		Spec ref -
FCI		Title 4X R/A THUMBSCREW RECPT ASSEMBLY, w/ 7 KEY SLOTS		Rev. K
catalog no		-		10009629
		CUSTOMER		sheet 6 of 9

REV F - 2006-04-17

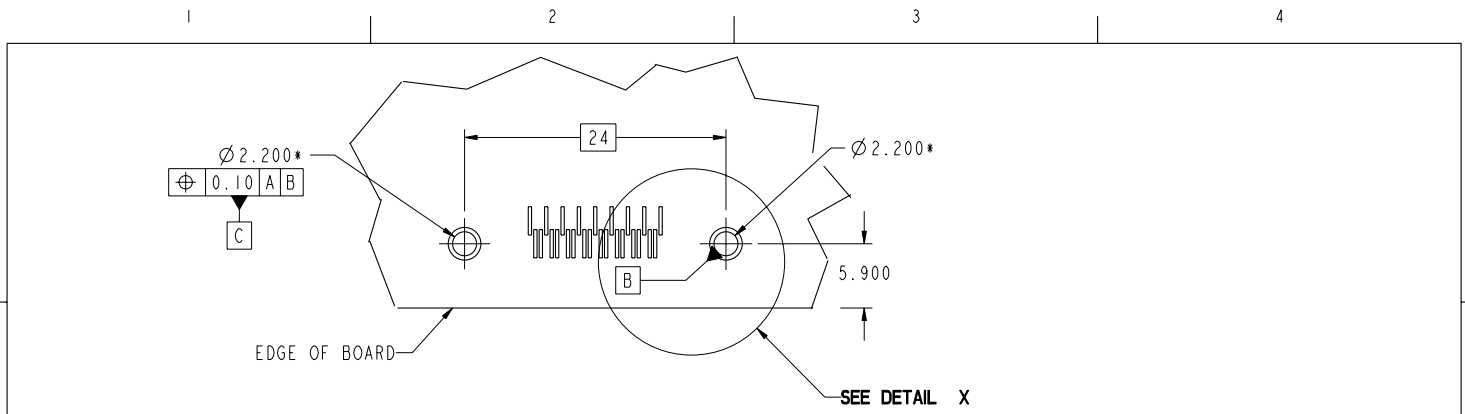
3 PDM: Rev:K

STATUS Released

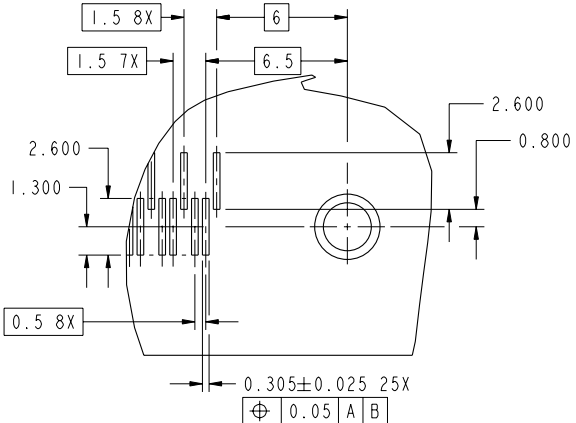
4 Printed: Apr 02, 2008



Copyright FCI.



DATUM **A** IS SURFACE OF PCB



DETAIL X  
SCALE 4:1

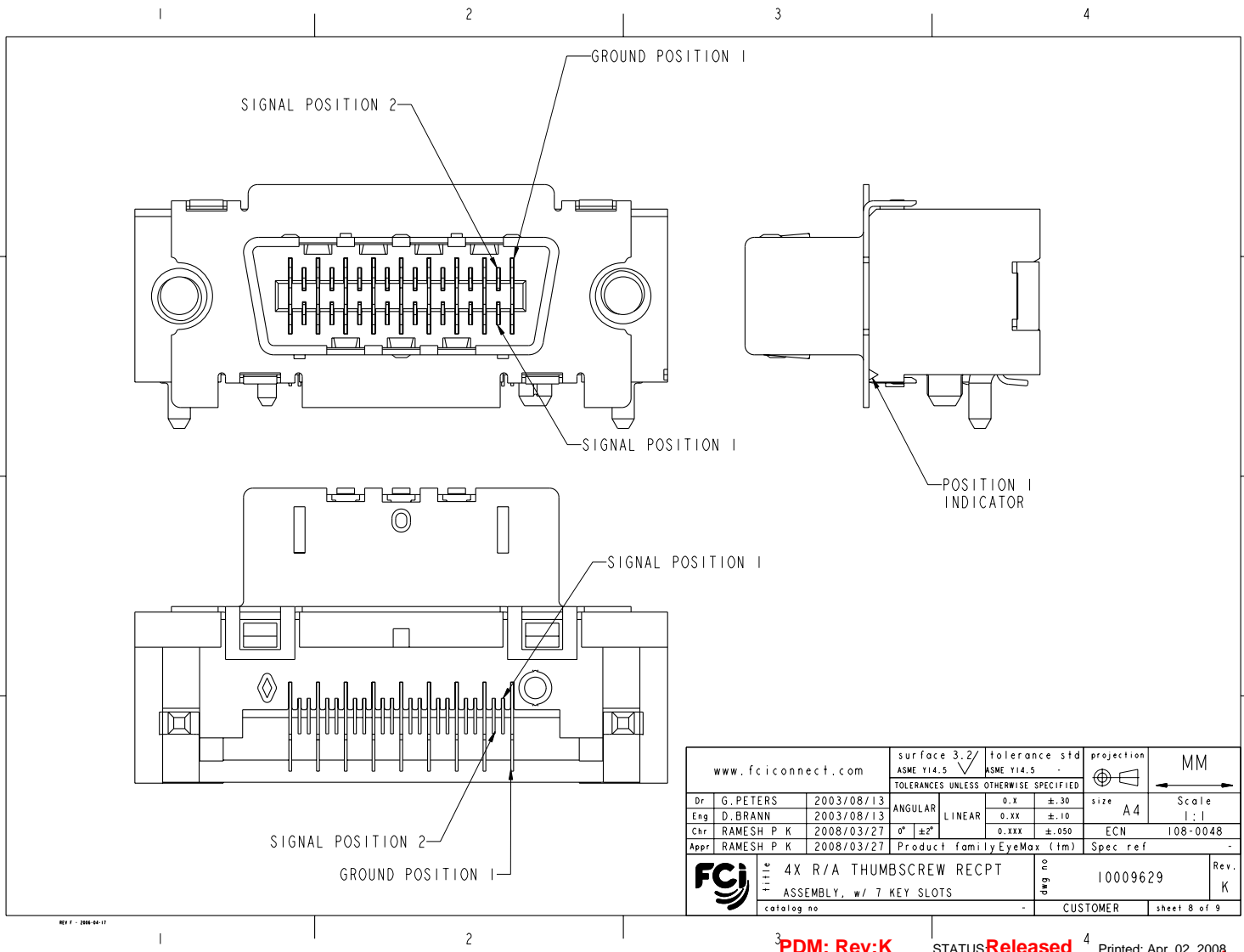
RECOMMENDED PCB LAYOUT, COMPONENT SIDE FOR USE WITHOUT CRUSH/DIAMOND PEGS (10009629-1XX0XX)  
SEE PREVIOUS PAGE FOR RECOMMENDED PCB LAYOUT FOR RECEPTACLE ASSEMBLIES WITH CRUSH/DIAMOND PEGS.  
\*PLATED THROUGH HOLES

www.fciconnect.com		surface 3.2/ ASME Y14.5	tolerance std ASME Y14.5	projection MM
TOLERANCES UNLESS OTHERWISE SPECIFIED		ANGULAR	LINEAR	size A4
Dr G. PETERS	2003/08/13	0°	0.X ±.30	Scale 1:1
Eng D. BRANN	2003/08/13	0° ±2°	0.XX ±.10	ECN 108-0048
Chr RAMESH P K	2008/03/27		0.XXX ±.050	Spec ref -
Appr RAMESH P K	2008/03/27	Product family EyeMax (Im)		
FCI		Title 4X R/A THUMBSCREW RECPT ASSEMBLY, w/ 7 KEY SLOTS		Rev. K
catalog no		diag no	10009629	
		CUSTOMER		sheet 7 of 9

REV 1 - 2006-04-17



Copyright FCI.



REV 1 - 2006-03-27

www.fciconnect.com		surface 3.2 ASME Y14.5	tolerance std ASME Y14.5	projection MM
TOLERANCES UNLESS OTHERWISE SPECIFIED		ANGULAR	LINEAR	size A4
Dr	G. PETERS	2003/08/13	0.X ±.30	Scale 1:1
Eng	D. BRANN	2003/08/13	0.XX ±.10	ECN 108-0048
Chr	RAMESH P K	2008/03/27	0°. ±2°	0.XXX ±.050
Appr	RAMESH P K	2008/03/27	Product family EyeMax (Im)	Spec ref -
FCI		4X R/A THUMBSCREW RECPT ASSEMBLY, w/ 7 KEY SLOTS		Rev. K
catalog no		-		10009629
-		CUSTOMER		sheet 8 of 9

3 **PDM: Rev:K** STATUS **Released** 4 Printed: Apr 02, 2008





Copyright FCI.

PRODUCT NUMBER  
10009629-1XXXXX

10009629-1XXXXXX

- SOLDERTAIL PLATING  
BLANK-TIN-LEAD  
LF-LEAD FREE (SEE NOTE 2)
- KEYING OPTIONS  
0-NONE
- PACKAGING  
1-TAPE & REEL  
2-TRAY  
3-TAPE & REEL WITH THREADED STAND-OFFS INCLUDED  
(PACKAGED SEPERATELY). 2 PER CONNECTOR.  
4-TRAY WITH THREADED STAND-OFFS INCLUDED  
(PACKAGED SEPERATELY). 2 PER CONNECTOR.
- PEGS  
0-NONE  
1-CRUSH/DIAMOND PEGS
- PCB THICKNESS  
1-1.6mm  
2-2.4mm  
3-4.0mm
- EMI GASKET  
0-WITH FOAM GASKET  
1-WITHOUT GASKET  
2-WITH METAL GASKET (NOT TOOLED)
- PLATING  
GOLD OVER NICKEL IN CONTACT AREA

CONNECTOR NOTES:

- ① HOUSING MATERIAL: UL94 V-0 LCP RESIN.  
SIGNAL PIN MATERIAL: COPPER ALLOY.  
GROUND CONTACT MATERIAL: COPPER ALLOY.
- ② PLATING: LEAD FREE SOLDER TAILS 2μm (80μin) MIN MATTE TIN  
OVER 1.27μm (50μin) MIN NICKEL UNDERPLATE.
- ③ P/N AND DATE CODE TO APPEAR  
ON THIS SURFACE.
4. PRODUCT SPECIFICATION GS-12-209.  
APPLICATION SPECIFICATION GS-20-025.
5. CONNECTOR WEIGHT = 5.465 grams
6. PACKAGING SPECIFICATION GS-14-794. PACKAGING OF LEAD FREE  
PRODUCTS MEETS LABELING AND PACKAGING SPECIFICATION GS-14-920.
7. MAXIMUM PANEL THICKNESS 1.70mm
- ⑧ MAXIMUM TORQUE 0.45 N-m (4.0 lbf-in)

PCB NOTES:

9. ALL DIMENSIONS ARE BASIC UNLESS OTHERWISE  
SPECIFIED.
10. ALL HOLE DIAMETERS ARE FINISHED HOLE SIZE
11. MATES WITH EYEMAX® PLUG 58443 (WITHOUT PCB), 58638  
(WITH UNEQUALIZED PCB) OR 10026692 (WITH EQUALIZED PCB).
12. LEAD FREE PRODUCTS MEET EUROPEAN UNION DIRECTIVES AND  
OTHER COUNTRY REGULATIONS AS DESCRIBED IN GS-22-008.
13. THE HOUSING WILL WITHSTAND EXPOSURE TO 260°C PEAK TEMPERATURE  
FOR 15 SECONDS IN A CONVECTION, INFRARED OR VAPOR PHASE REFLOW  
OVEN.

PRODUCT NUMBER	BOARD THICKNESS	DIM A
10009629-1X1XXX	1.6mm	2.3mm
10009629-1X2XXX	2.4mm	3.1mm
10009629-1X3XXX	4.0mm	4.7mm

www.fciconnect.com		surface 3.2 ASME Y14.5	tolerance std ASME Y14.5	projection MM
		TOLERANCES UNLESS OTHERWISE SPECIFIED		
Dr	G. PETERS	2003/08/13	ANGULAR	0.X ±.30
Eng	D. BRANN	2003/08/13	LINEAR	0.XX ±.10
Chr	RAMESH P K	2008/03/27	0° ±2°	0.XXX ±.050
Appr	RAMESH P K	2008/03/27	Product family	EyeMax (Im)
			Spec ref	108-0048
FCI		4X R/A THUMBSCREW RECPT ASSEMBLY, w/ 7 KEY SLOTS		Rev. K
catalog no		-		sheet 9 of 9

REV F - 2006-04-17