

4

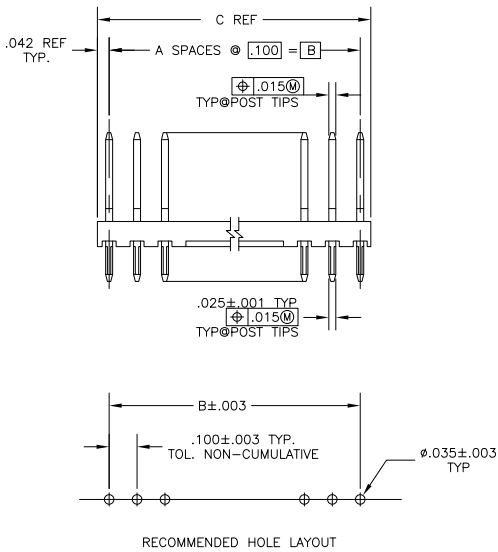
3

2

1

THIS DRAWING IS UNPUBLISHED. RELEASED FOR PUBLICATION. ALL RIGHTS RESERVED.

LOC	DIST	REVISIONS		
P	LTR	DESCRIPTION	DATE	BY / APP'D
L2		REVISED PER ECO-11-004587	11MAR11	RK / HMR



- 1 TRUE POSITION TOLERANCE OF POST TIPS APPLIES WHEN HEADERS ARE HELD FLAT AGAINST PC BOARD.
- 2 .000015 GOLD IN CONTACT AREA, GOLD FLASH ON SOLDER AREA, ALL OVER .000050 NICKEL.
- 3 POINT OF MEASUREMENT FOR PLATING THICKNESS.
- 4 PARTS PACKAGED IN SINGLE TUBES.
- 5 HOUSING: FLAME RETARDANT THERMOPLASTIC, COLOR--BLACK POST: PHOS.BRONZE.
- 6 OBSOLETE PARTS: OBSOLETE CIS STREAMLINING PER D.RENAUD/D.SINISI

	284	200	2	3	4-87224-3
3.984	3.900	39	40	4-87224-0	
3.884	3.800	38	39	3-87224-9	
3.784	3.700	37	38	3-87224-8	
3.684	3.600	36	37	3-87224-7	
3.584	3.500	35	36	3-87224-6	
3.484	3.400	34	35	3-87224-5	
3.384	3.300	33	34	3-87224-4	
3.284	3.200	32	33	3-87224-3	
3.184	3.100	31	32	3-87224-2	
3.084	3.000	30	31	3-87224-1	
2.984	2.900	29	30	3-87224-0	
2.884	2.800	28	29	2-87224-9	
2.784	2.700	27	28	2-87224-8	
2.684	2.600	26	27	2-87224-7	
2.584	2.500	25	26	2-87224-6	
2.484	2.400	24	25	2-87224-5	
2.384	2.300	23	24	2-87224-4	
2.284	2.200	22	23	2-87224-3	
2.184	2.100	21	22	2-87224-2	
2.084	2.000	20	21	2-87224-1	
1.984	1.900	19	20	2-87224-0	
1.884	1.800	18	19	1-87224-9	
1.784	1.700	17	18	1-87224-8	
1.684	1.600	16	17	1-87224-7	
1.584	1.500	15	16	1-87224-6	
1.484	1.400	14	15	1-87224-5	
1.384	1.300	13	14	1-87224-4	
1.284	1.200	12	13	1-87224-3	
1.184	1.100	11	12	1-87224-2	
1.084	1.000	10	11	1-87224-1	
.984	.900	9	10	1-87224-0	
.884	.800	8	9	87224-9	
.784	.700	7	8	87224-8	
.684	.600	6	7	87224-7	
.584	.500	5	6	87224-6	
.484	.400	4	5	87224-5	
.384	.300	3	4	87224-4	
.284	.200	2	3	87224-3	
.184	.100	1	2	87224-2	
.084	-	-	1	87224-1	
C	B	A	NO OF POS	PART NO	

THIS DRAWING IS A CONTROLLED DOCUMENT. DR: SACHAVENDRA 24FEB09
 CK: GSEFORD JEFFREY 24FEB09
 APP: GSEFORD JEFFREY 24FEB09
 PRODUCT SPEC: GSEFORD JEFFREY

TE Connectivity

HEADER ASSY MOD II, .025 SQ POST, SINGLE ROW, 100 C/L, STACKABLE

APPLICATION SPEC: A2
 SIZE: 00779
 CASE CODE: C-87224
 WEIGHT: -

CUSTOMER DRAWING
 SCALE: 4:1
 SHEET: 1 of 1
 REV: L2

87224

A